

HEARTHCO INC.

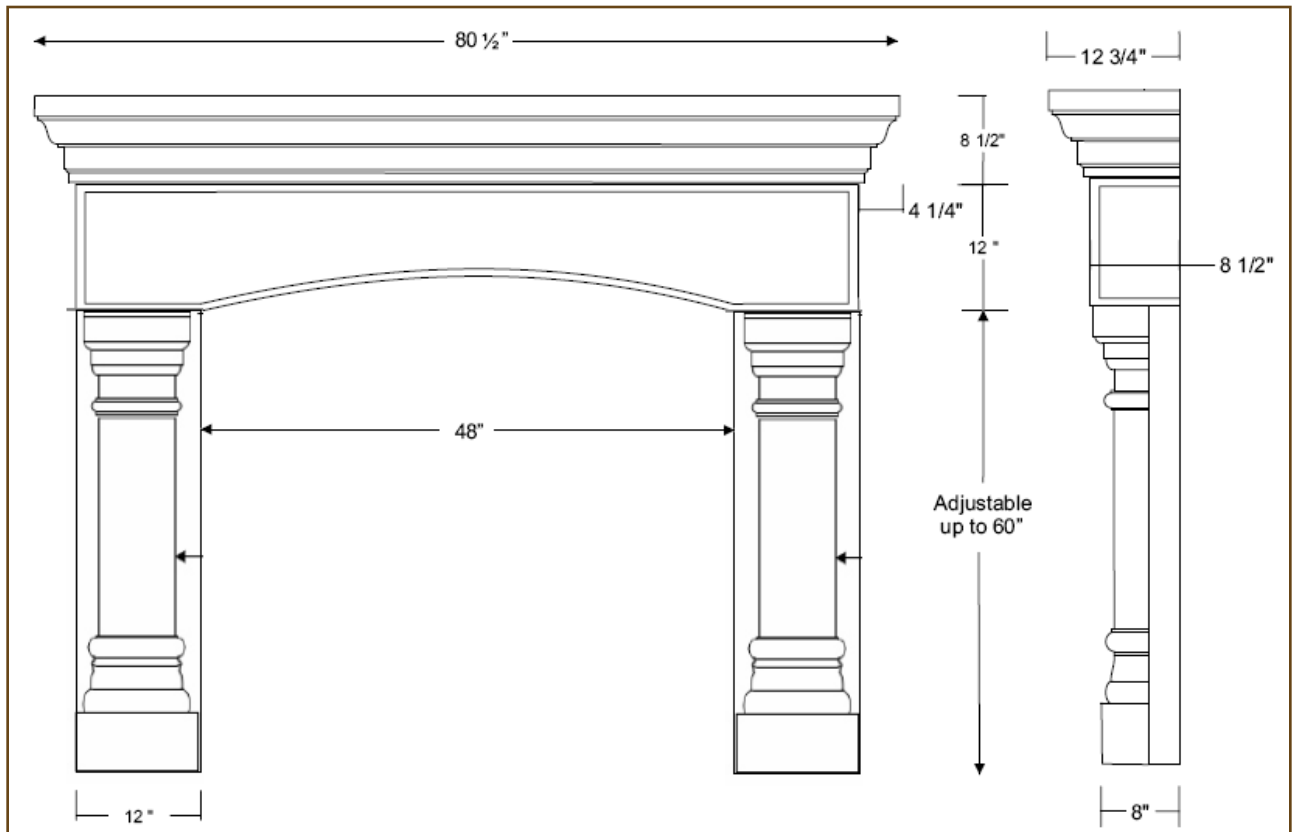
Manufacturers of Precast & Wood Products



INVERNESS

INVERNESS

Precast Fireplace Mantel



The Inverness is a multi-piece mantel. The cap, lintel, legs and leg backing are individual items. The capital of the legs are separate from the column so the legs can be cut to adjust for height. Hearths and flat stock are separate items and all products are available in paint grade and TraverStone finishes.