

HEARTHCO INC.

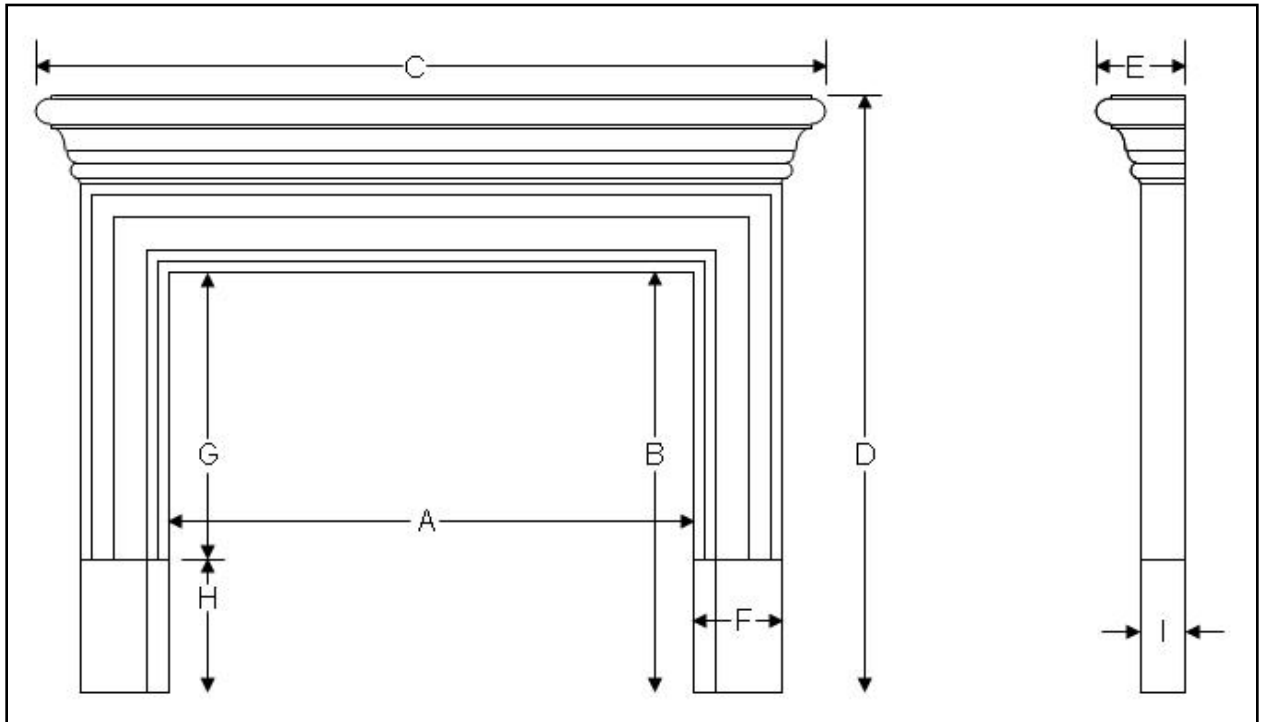
Manufacturers of Precast & Wood Products



DUBLIN

DUBLIN

Precast Fireplace Mantel



| <i>3 Sided</i> | A | B | C | D | E | F | G | H | I | Min. Hearth Size |
|----------------|----|-------|----|-------|-------|---|----|----|-------|------------------|
| DUB 3-34 | 34 | to 38 | 52 | to 50 | 5 1/2 | 6 | 26 | 12 | 3 5/8 | 56 x 18 |
| DUB 3-35 | 35 | to 38 | 53 | to 50 | 5 1/2 | 6 | 26 | 12 | 3 5/8 | 56 x 18 |
| DUB 3-38 | 38 | to 38 | 56 | to 50 | 5 1/2 | 6 | 26 | 12 | 3 5/8 | 56 x 18 |
| DUB 3-40 | 40 | to 40 | 58 | to 52 | 5 1/2 | 6 | 28 | 12 | 3 5/8 | 60 x 18 |
| DUB 3-43 | 43 | to 43 | 61 | to 55 | 5 1/2 | 6 | 28 | 12 | 3 5/8 | 60 x 18 |
| DUB 3-45 | 45 | to 43 | 63 | to 55 | 5 1/2 | 6 | 28 | 12 | 3 5/8 | 66 x 20 |

The Dublin is a one piece mantel. Plinth blocks can be cut to adjust for height or taller plinth blocks can be added to extend leg height. Hearths and flat stock are separate items and all products are available in paint grade or TraverStone finishes.