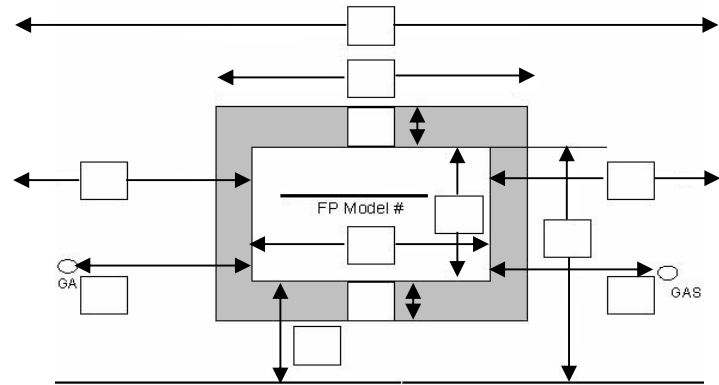
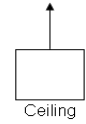
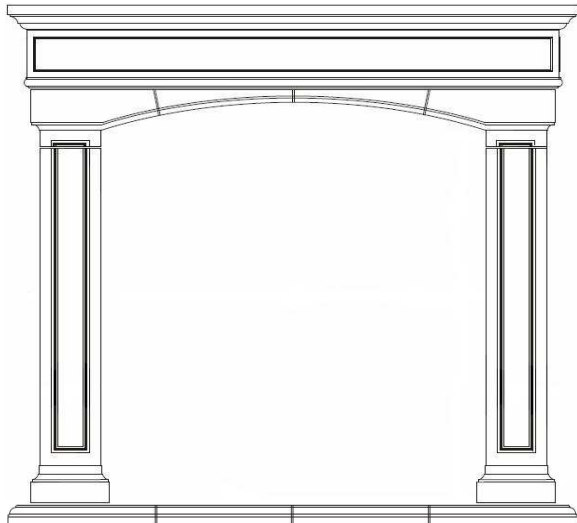


Pre-Cast Mantel Measurement Form	Date:	HEARTH Co INC. Manufacturers of Precast & Wood Products	
Distributor:	City:		

Measured by:	Phone:	Subdivision:	Page _____ of _____
--------------	--------	--------------	---------------------

Client:	Phone:	Room/ Location:	PO #:
---------	--------	--------------------	-------

Address:	City:	Lot/Plan:	Job #:
----------	-------	-----------	--------



FLOOR LINE

Current Stage of Construction:	Style/Size: Saratoga Arched	Finish Hearth:	1/2" Micore: YES NO
Required Install Date:	Finish: PG TS	W _____ D _____ TH _____	Overall Ht _____