

# HearthCo, Inc. Products

## MSRP

Effective Date

June 1, 2017

## Precast Traditional

Caps / Shelves - Custom

Surrounds

Mantels

Mantels - Large

Mantels - Custom

Surrounds - Custom

## Precast Metroscapes

Caps / Shelves - Custom

Surrounds

Surrounds - Custom

## Precast Miscellaneous

Hearths

Flat Stock / Fillers

OverMantels

Kitchen Hoods

Trim

## Wood

Caps / Shelves

Mantels

# Catalog Reference Order Traditional

## Custom Caps

Capitola Cap / Shelf  
Covina Cap / Shelf  
Dublin Cap / Shelf  
El Dorado Cap / Shelf  
Pinnacle Cap / Shelf  
Pinnacle Full Cap / Shelf  
Santa Clarita Cap / Shelf

## Surrounds

Bodega  
Corsica  
Corsica Picture Frame  
Corsica on Dublin Cap  
Georgetown  
Manchester  
Manchester Picture Frame  
Pomona  
Pomona Picture Frame  
Windsor  
Zamora

## Mantels

Capistrano  
Cassano  
Castillian  
Coloma  
Dublin  
Dublin Picture Frame  
Essex  
Hermosa  
Malibu  
Maricopa  
Meridian  
Mesa One Piece  
Mission  
Pacifica  
Rovana  
Solera  
Tiburon

## Large Mantels

Bishop  
Covelo  
Cypress  
El Dorado  
Inverness  
Mendocino  
Mesa 60  
Mesa 71  
Pinnacle 67  
Saratoga  
Saratoga Arched

## Custom Mantels

Bel Air  
Brick Overlay  
Castella  
Covina  
Del Norte  
Del Rey  
Goleta  
Hollywood  
Laguna  
Mesa  
Pinnacle  
San Carlos  
Santa Clarita  
Serranto  
Stanton  
Summit  
Terra Bella  
Torrance

# Catalog Reference Order MetroScapes

## Custom Caps

Avignon  
Blanton  
Briscoe  
Crocker  
Middlebury  
Pavilion Cap

## Surrounds

Bauhaus  
Dorado  
Edge  
Frisco  
Frisco Picture Frame  
Gatsby  
Hanford  
Hanford Picture Frame  
Plateau  
Westmoreland

## Custom

Fullerton  
Gasby  
Pavilion  
Pavilion Grand  
Plateau 3"  
Plateau 6"  
Pomona  
Smithsonian  
Timken

## Hearths

1" Flush  
2" Flush  
2" Flush no Grout Lines  
2 1/4" Custom  
8" Raised Hearth  
16" Raised Hearth  
1" Hearth Tiles  
2" Hearth Tiles  
Hearth Tiles with Bullnose

## Flat Stock

6" x 48" x 3/4"  
12" x 48" x 3/4"  
18" x 48" x 3/4"  
24" x 48" x 3/4"  
FS Custom 24" x 72" x 3/4"  
FS Corners Custom

## OverMantels

Inlay Trim  
Flat Stock - SB trim wrap  
Flat Stock - SB trim flush  
Plateau/Flat stock/Corsica

## Kitchen Hoods

San Jose  
Sonoma

## Trims

3" Inlay  
6" Inlay  
Corsica Trim  
Santa Barbara Trim  
Corbels  
Appliques  
Base Trim

## Wood Caps/Shelves

Avalon  
Cambria  
Elmar  
Imperial  
Imperial Deluxe  
Waterford

## Wood Mantels

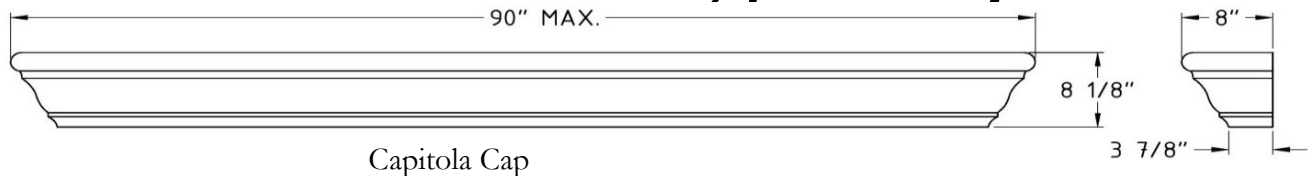
Beacon Hill  
Del Mar  
Elmar  
Newcastle

**HEARTHCO INC.**  
MANUFACTURERS OF PRECAST & WOOD PRODUCTS

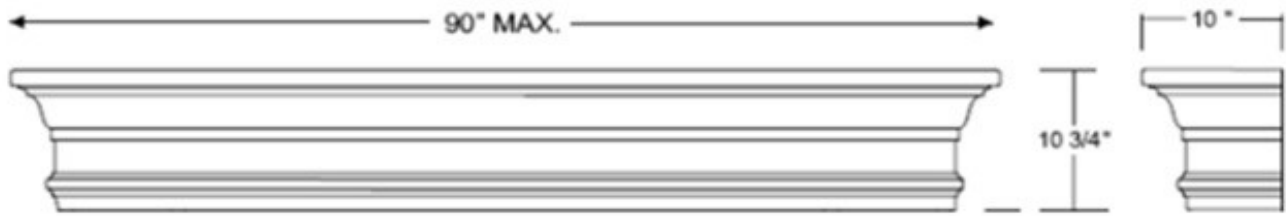
Precast  
Custom Caps  
Traditional



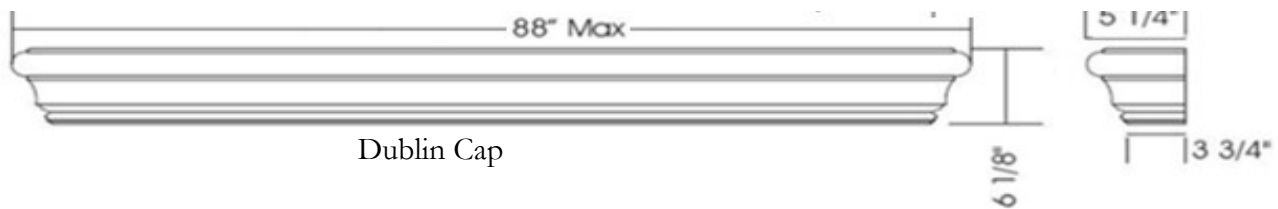
# Custom Length Caps



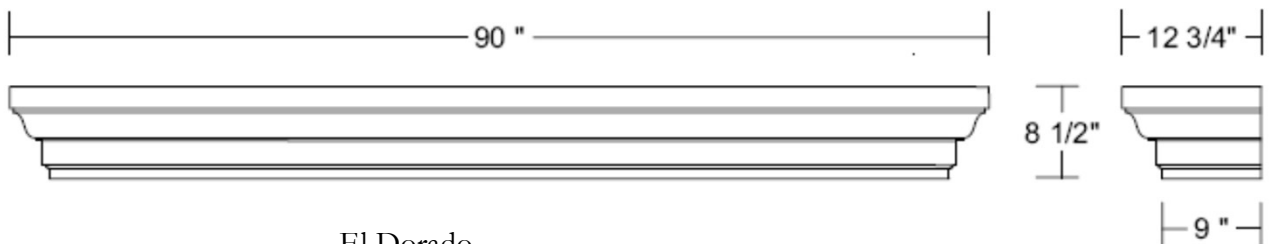
Capitola Cap



Covina Cap



Dublin Cap



El Dorado

<b>GYPSUM</b>		
CAP A90	Capitola Custom Length up to 90" – Gypsum	682
COV A90	Covina Custom Length up to 90" – Gypsum	852
DUB CAP-A48	Dublin Cap Custom Length up to 48" – Gypsum	286
DUB CAP-A88	Dublin Cap Custom Length up to 88" – Gypsum	382
ELD CAP-A90	El Dorado Cap Custom Length up to 90" – Gypsum	648
<b>STONE</b>		
CAP A90	Capitola Custom Length up to 90" – Stone	1,091
COV A90	Covina Custom Length up to 90" – Stone	1,363
DUB CAP-A48	Dublin Cap Custom Length up to 48" – Stone (1.25 LBS/IN)	457
DUB CAP-A88	Dublin Cap Custom Length up to 88" – Stone (1.25 LBS/IN)	611
ELD CAP-A90	El Dorado Cap Custom Length up to 90" – Stone (2.64 LBS/IN)	1,037
		1,037

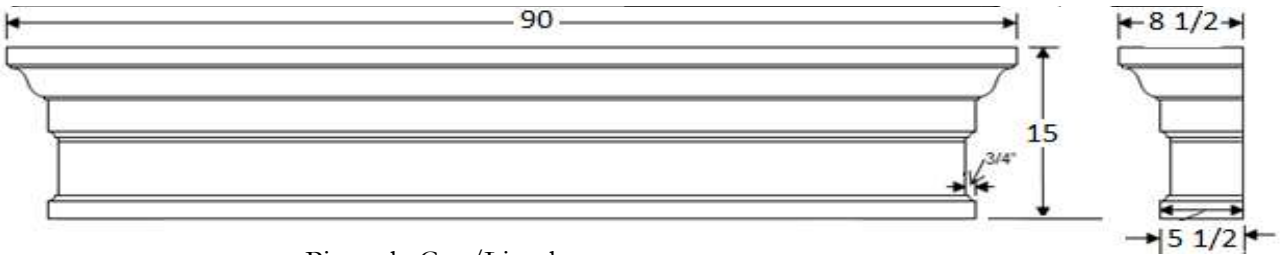
\*\*\* NOTE SIZES AVAILABLE ARE UP TO 85" IN CUSTOM LENGTHS OR 90" TOTAL LENGTH. SIZES BEI

**BETWEEN 85" AND 90" ARE NOT AVAILABLE**

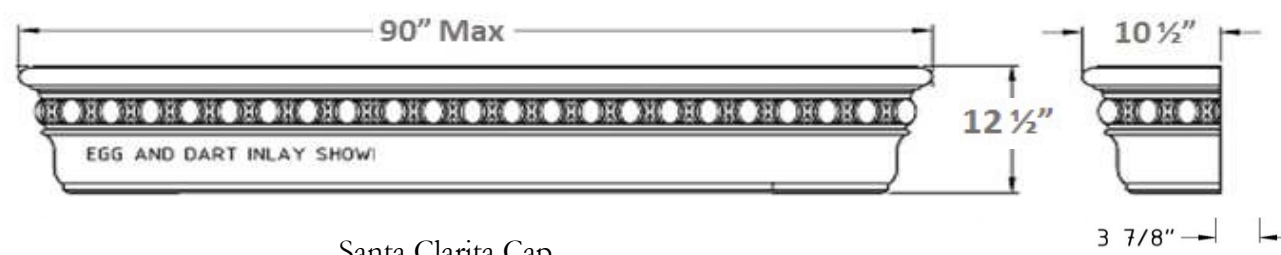
# Custom Length Caps



Pinnacle Cap



Pinnacle Cap/Lintel



Santa Clarita Cap

## Pinnacle Cap/Lintel Adjustable

<b>GYPSUM</b>		
PIN A CAP	Pinnacle Cap ONLY Custom Length up to 90" – Gypsum	382
PIN A CAP/LINTEL	Pinnacle cap and lintel Custom Length up to 90" ( ) Mantel - Gypsum	852
SAN CLA CAP A 90 G	Santa Clarita Custom Length up to 90" (cap/lintel only) Mantel - Gypsu	816
	Make sure to choose an inlay and add price	
<b>STONE</b>		
PIN A CAP	Pinnacle Cap ONLY Custom Length up to 90" – Stone	509
PIN A CAP/LINTEL	Pinnacle cap and lintel Custom Length up to 90" ( ) Mantel - Stone	1,136
SAN CLA CAP A 90 S	Santa Clarita Custom Length up to 90" (cap/lintel only) Mantel - Stone	1,136
	Make sure to choose an inlay and add price	
PIN A90 S	Pinnacle Custom Length up to 90" – Stone	0

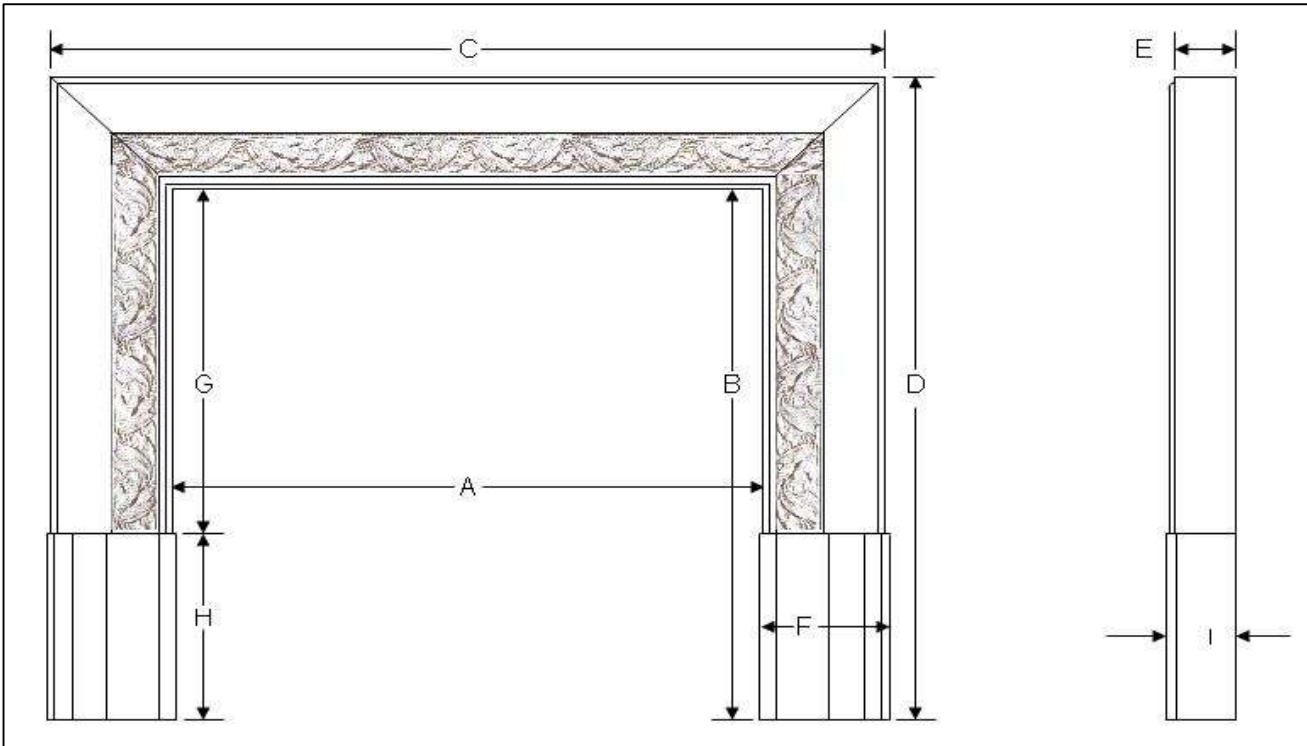


**HEARTHCO INC.**  
MANUFACTURERS OF PRECAST & WOOD PRODUCTS

# Precast Traditional Surrounds

# *Bodega*

## Precast Fireplace

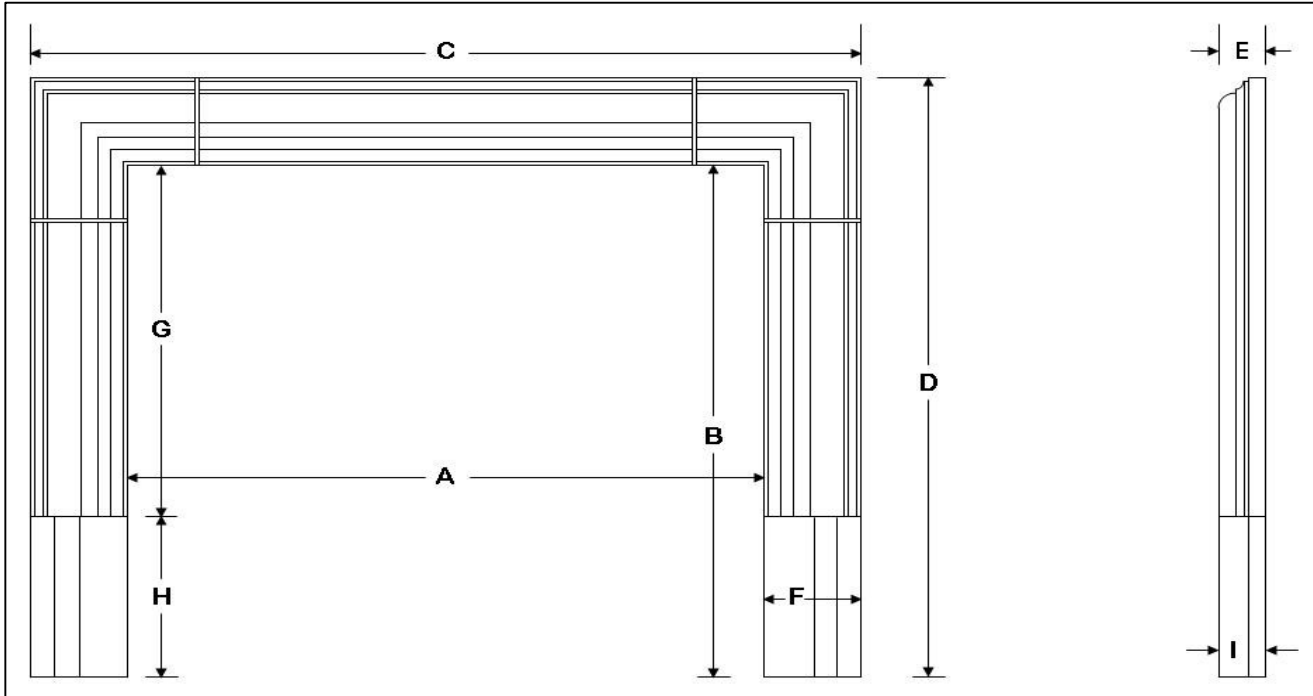


<b>3 Sided</b>	A	B	C	D	E	F	G	H	I	J	K	Min. Hearth Size
BOD 3-38	38	to 40	56	49	4 1/4	9	28	12	4 1/2	N/A	N/A	60 x 18
BOD 3-43	43	to 43	62 1/4	to 52	4 1/4	9	28	15	4 1/2	N/A	N/A	66 x 20

<b>GYPSUM</b>		
BOD 3-38	Bodega 38" x 40" – Gypsum	557
BOD 3-43	Bodega 43" x 43" – Gypsum (90 LBS)	622
<b>STONE</b>		
BOD 3-38	Bodega 38" x 40" – Stone	891
BOD 3-43	Bodega 43" x 43" – Stone	995

# Corsica

## Precast Fireplace

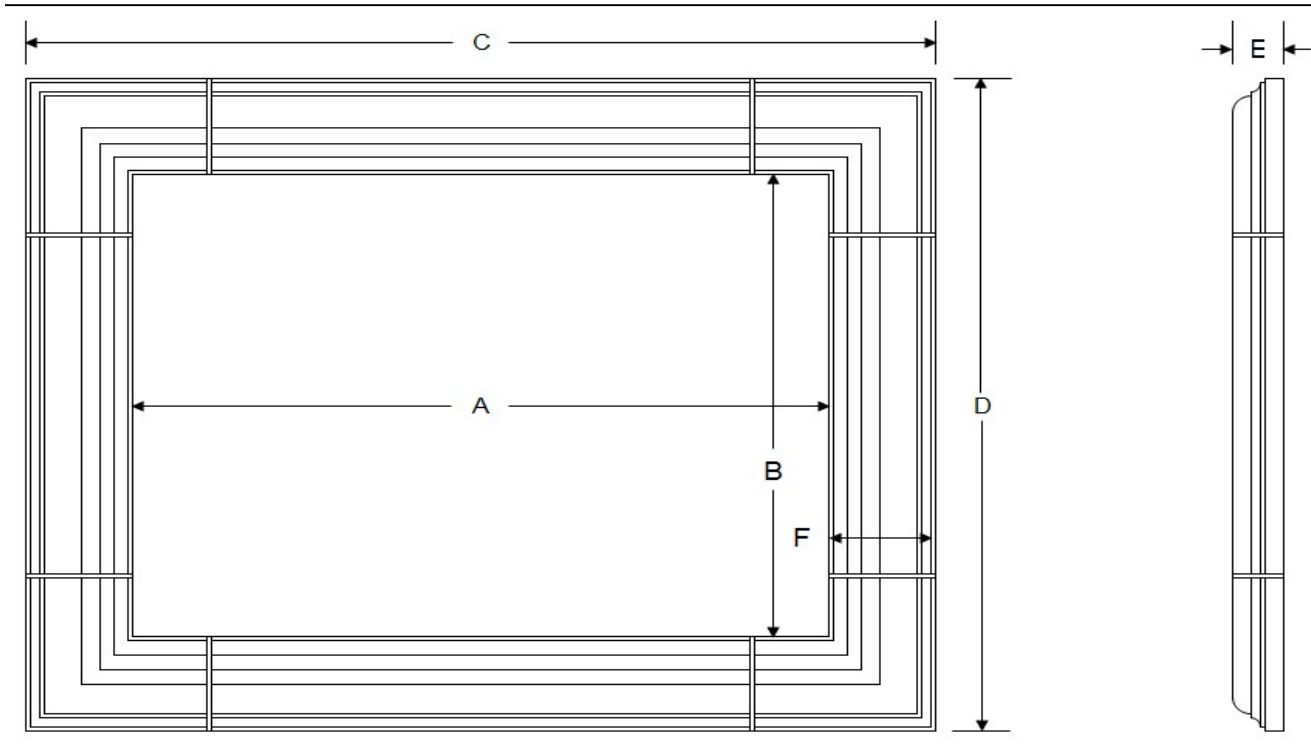


3 Sided	A	B	C	D	E	F	G	H	I	J	K	Min. Hearth Size
COR 3-35	35	to 38	46	to 38	2 1/2	5 1/2	26	12	2 3/4	N/A	N/A	51 x 18
COR 3-37	37	to 38	48	to 43 1/2	2 1/2	5 1/2	26	12	2 3/4	N/A	N/A	51 x 18

GYPSUM		
COR 3-35	Corsica 35" x 36" – Gypsum (50 LBS)	354
COR 3-37	Corsica 37" x 36" – Gypsum (60 LBS)	372
STONE		
COR 3-35	Corsica 35" x 36" – Stone (65 LBS)	566
COR 3-37	Corsica 37" x 36" – Stone (105 LBS)	595

# Corsica Picture Frame

Precast Picture Frame Fireplace

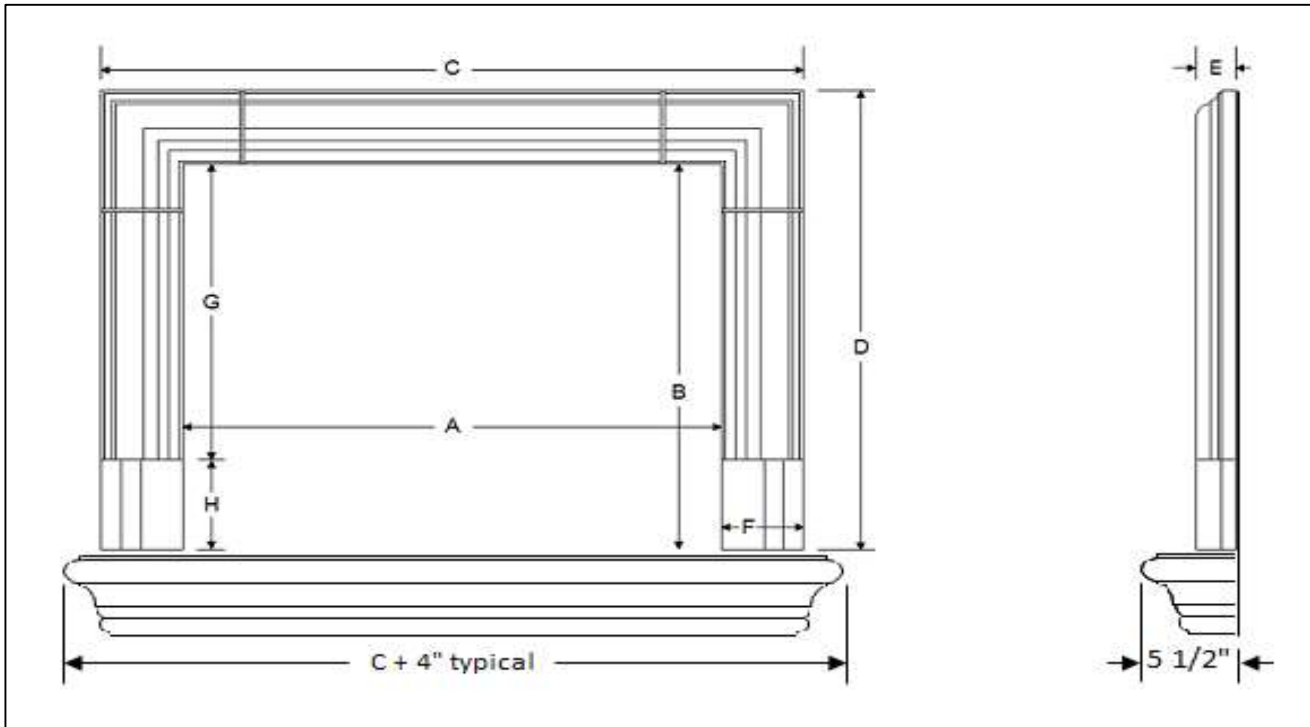


Picture Frame	A	B	C	D	E	F	G	H	I	J	K	Min. Hearth Size
COR 4-3531	35 1/2	31	46 1/2	42	2 1/2	5 1/2	N/A	N/A	2 3/4	N/A	N/A	N/A

GYPSUM			
COR 4-3531		Corsica 35 1/2" x 31" Picture Frame – Gypsum (80 LBS)	532
STONE			
COR 4-3531		Corsica 35 1/2" x 31" Picture Frame – Stone (80 LBS)	851

# Corsica on Dublin Cap

## Precast Fireplace

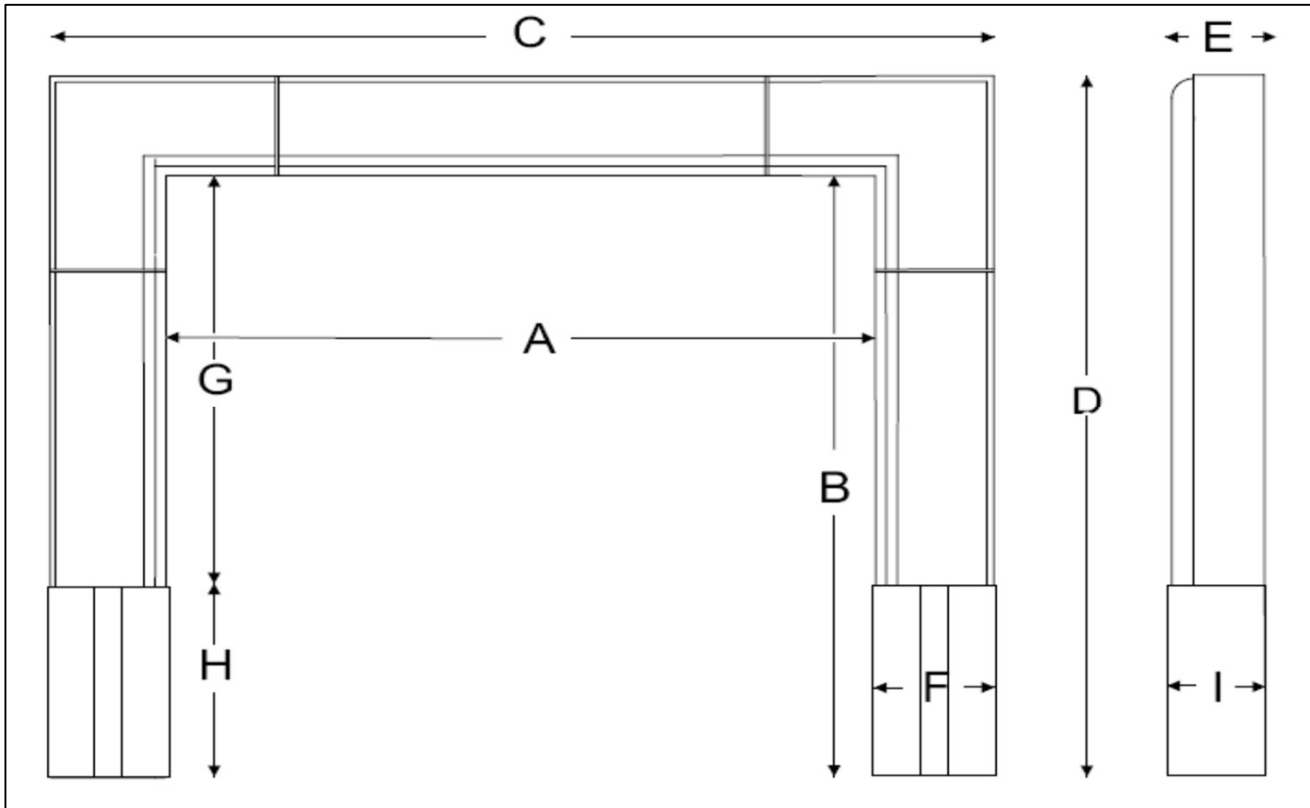


3 Sided	A	B	C	D	E	F	G	H	I	J	K	Min. Hearth Size
COR 3-35	35	to 38	46	to 38	2 1/2	5 1/2	26	12	2 3/4	N/A	N/A	N/A
DUBLIN CAP	N/A	N/A	50	N/A	N/A	N/A	N/A	N/A	N/A	N/A	N/A	N/A
COR 3-37	37	to 38	48	to 43 1/2	2 1/2	5 1/2	26	12	2 3/4	N/A	N/A	N/A
DUBLIN CAP	N/A	N/A	52	N/A	N/A	N/A	N/A	N/A	N/A	N/A	N/A	N/A

GYPSUM		
COR 3-35	Corsica 35" x 36" – Gypsum (50 LBS)	354
DUB CAP-A48	Dublin Cap Custom Length up to 48" – Gypsum	286
COR 3-37	Corsica 37" x 36" – Gypsum (60 LBS)	372
DUB CAP-A48	Dublin Cap Custom Length up to 48" – Gypsum	286
STONE		
COR 3-35	Corsica 35" x 36" – Stone (65 LBS)	566
DUB CAP-A48	Dublin Cap Custom Length up to 48" – Stone (1.25 LBS/IN)	457
<b>SUBTOTAL</b>		
COR 3-37	Corsica 37" x 36" – Stone (105 LBS)	595
DUB CAP-A48	Dublin Cap Custom Length up to 48" – Stone (1.25 LBS/IN)	457

# Georgetown

## Precast Fireplace

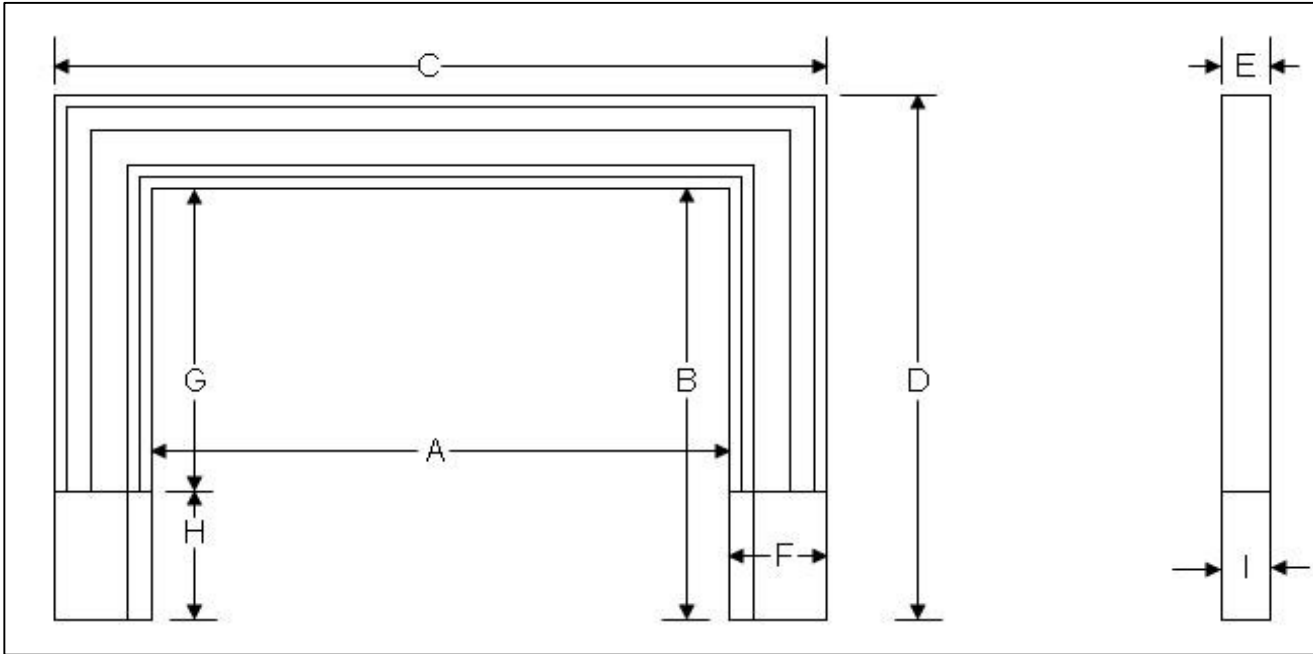


<b>3 Sided</b>	A	B	C	D	E	F	G	H	I	J	K	Min Hearth Size
GEO 3-34	34 1/2	to 38	45 1/2	to 43 1/2	4 1/2	6	26	12	4 5/8	N/A	N/A	51 x 18
GEO 3-37	37	to 38	48	to 43 1/2	4 1/2	6	26	12	4 5/8	N/A	N/A	51 x 18
GEO 3-38	38 1/2	to 38	49 1/2	to 43 1/2	4 1/2	6	26	12	4 5/8	N/A	N/A	56 x 18
GEO 3-43	43 1/2	to 43	54 1/2	to 49	4 1/2	6	28	15	4 5/8	N/A	N/A	60 x 18

<b>GYPSUM</b>		
GEO 3-34	Georgetown 34 1/2" x 38" – Gypsum	433
GEO 3-37	Georgetown 37" x 38" – Gypsum	478
GEO 3-38	Georgetown 38 1/2" x 38" – Gypsum	478
GEO 3-43	Georgetown 43 1/2" x 43" – Gypsum	505
<b>STONE</b>		
GEO 3-34	Georgetown 34 1/2" x 38" -Stone	693
GEO 3-37	Georgetown 37" x 38" – Stone	764
GEO 3-38	Georgetown 38 1/2" x 38" – Stone (115 lbs.)	764
GEO 3-43	Georgetown 43 1/2" x 43" – Stone	808

# Manchester

## Precast Fireplace

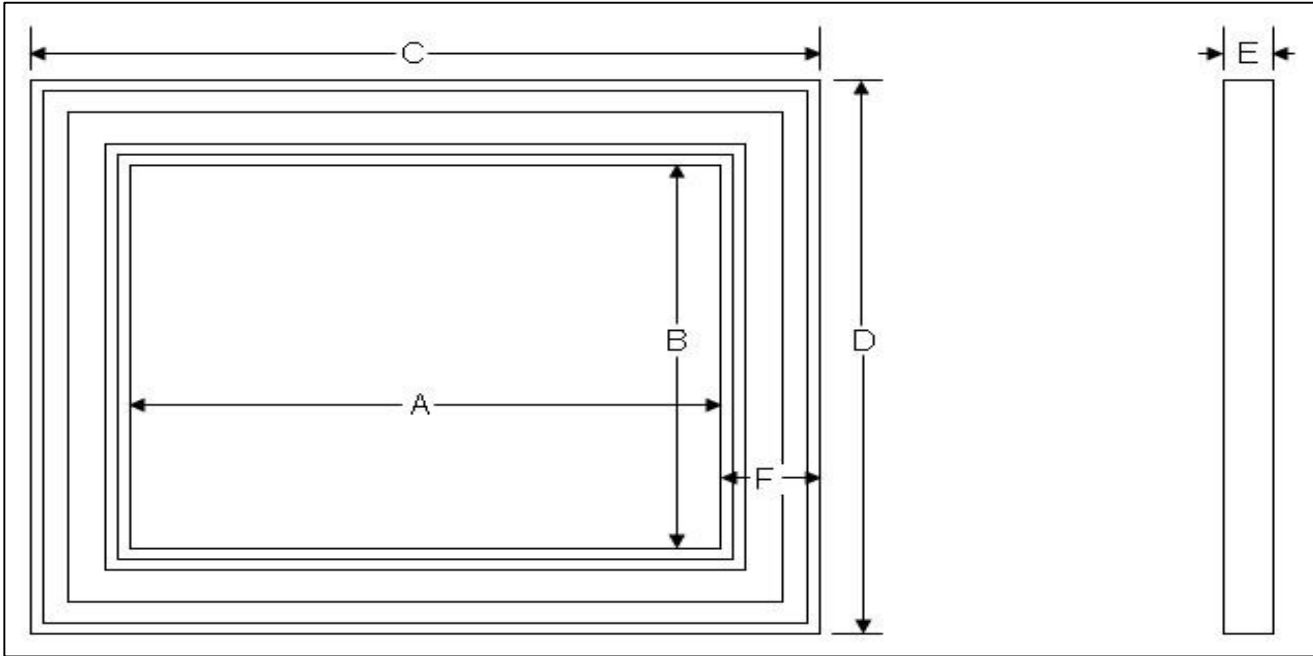


<b>3 Sided</b>	A	B	C	D	E	F	G	H	I	J	K	Min. Hearth Size
MAN 3-34	34	to 38	46	to 44	3 1/2	6	26	12	3 5/8	N/A	N/A	51 x 18
MAN 3-35	35	to 38	47	to 44	3 1/2	6	26	12	3 5/8	N/A	N/A	51 x 18
MAN 3-38	38	to 38	50	to 44	3 1/2	6	26	12	3 5/8	N/A	N/A	56 x 18
MAN 3-40	40	to 40	52	to 46	3 1/2	6	26	12	3 5/8	N/A	N/A	56 x 18
MAN 3-43	43	to 43	55	to 49	3 1/2	6	26	12	3 5/8	N/A	N/A	60 x 20
MAN 3-45	45	to 43	57	to 49	3 1/2	6	26	12	3 5/8	N/A	N/A	60 x 20

<b>GYPSUM</b>		
MAN 3-34	Manchester 34" x 38" – Gypsum (60 LBS)	433
MAN 3-35	Manchester 35" x 38" – Gypsum (65 LBS)	464
MAN 3-38	Manchester 38" x 38" – Gypsum (65 LBS)	478
MAN 3-40	Manchester 40" x 40" – Gypsum (75 LBS)	490
MAN 3-43	Manchester 43" x 43" – Gypsum (85 LBS)	505
MAN 3-45	Manchester 45" x 43" – Gypsum (95 LBS)	518
<b>STONE</b>		
MAN 3-34	Manchester 34" x 38" – Stone (105 LBS)	693
MAN 3-35	Manchester 35" x 38" – Stone (115 LBS)	743
MAN 3-38	Manchester 38" x 38" – Stone (115 LBS)	765
MAN 3-40	Manchester 40" x 40" – Stone (135 LBS)	785
MAN 3-43	Manchester 43" x 43" – Stone (150 LBS)	809
MAN 3-45	Manchester 45" x 43" – Stone (170 LBS)	829

# Manchester Picture Frame

## Precast Picture Frame Fireplace



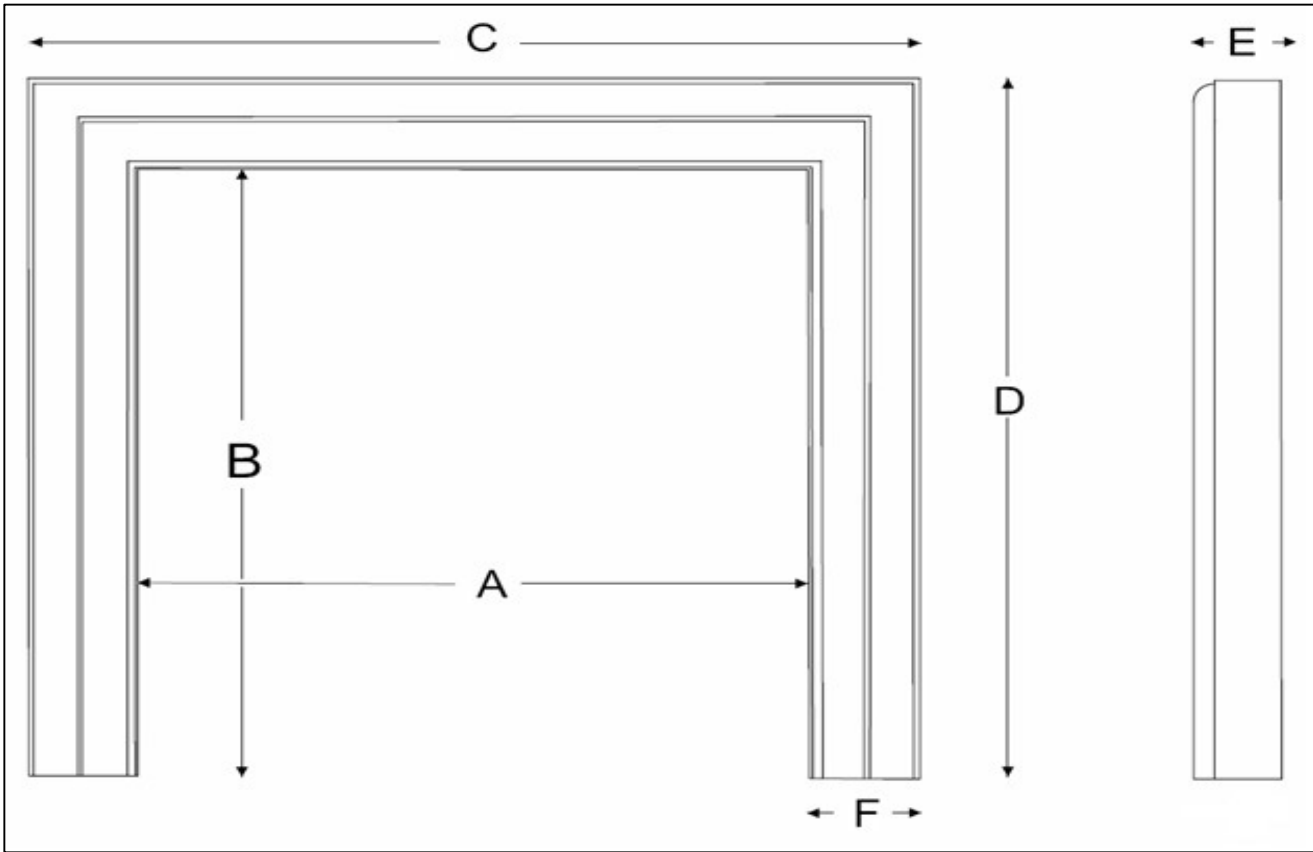
Picture Frame	A	B	C	D	E	F	G	H	I	J	K	Min. Hearth Size
MAN 4-3431	34	31	46	43	3 1/2	6	N/A	N/A	N/A	N/A	N/A	N/A
MAN 4-3833	38	33	50	45	3 1/2	6	N/A	N/A	N/A	N/A	N/A	N/A
MAN 4-3836	38	36	50	48	3 1/2	6	N/A	N/A	N/A	N/A	N/A	N/A
MAN 4-4336	43	36	55	48	3 1/2	6	N/A	N/A	N/A	N/A	N/A	N/A

GYPSUM		
MAN 4-3431	Manchester 34" x 31" Picture Frame – Gypsum	649
MAN 4-3833	Manchester 38" x 33" Picture Frame – Gypsum	716
MAN 4-3836	Manchester 38" x 36" Picture Frame – Gypsum	716
MAN 4-4336	Manchester 43" x 36" Picture Frame – Gypsum	756
STONE		
MAN 4-3431	Manchester 34" x 31" Picture Frame – Stone	1,038
MAN 4-3833	Manchester 38" x 33" Picture Frame – Stone	1,146
MAN 4-3836	Manchester 38" x 36" Picture Frame – Stone	1,146
MAN 4-4336	Manchester 43" x 36" Picture Frame – Stone	1,210



# Pomona

## Precast Fireplace

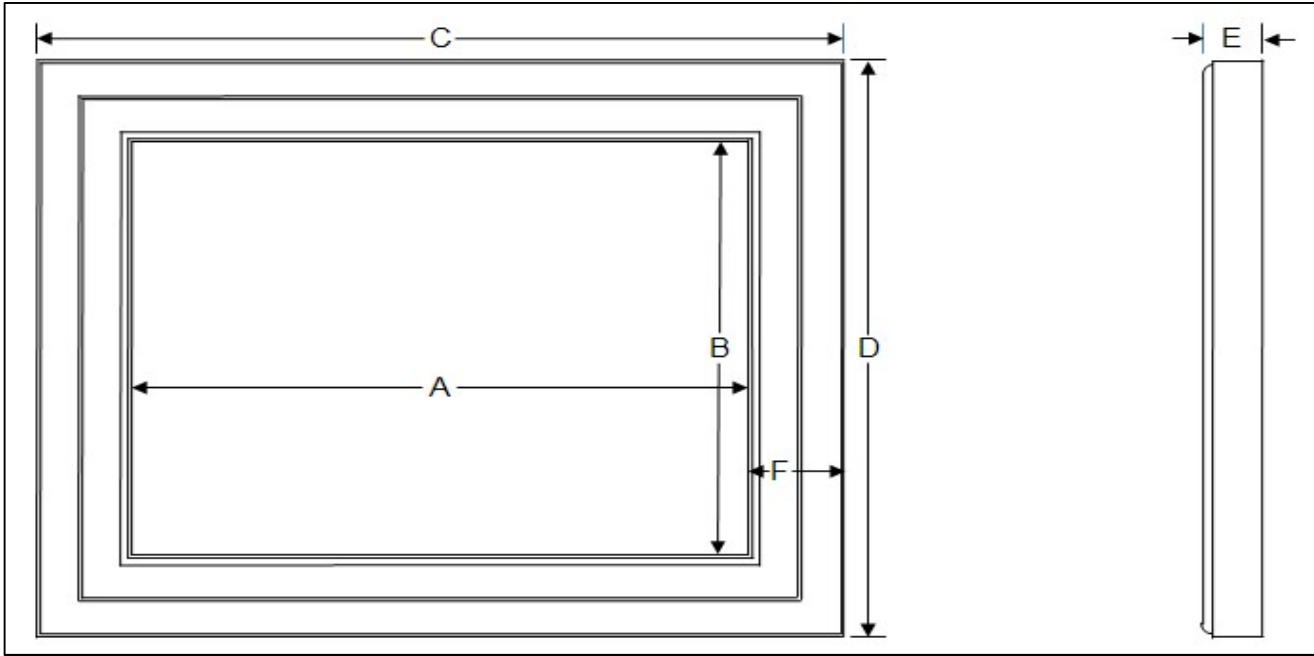


<b>3 Sided</b>	A	B	C	D	E	F	G	H	I	J	K	Min. Hearth Size
POM 3-38	38 1/4	42	50 3/4	48 1/4	4 1/2	6 1/4	N/A	N/A	N/A	N/A	N/A	56 x 18
POM 3-43	43 1/4	42	55 3/4	48 1/4	4 1/2	6 1/4	N/A	N/A	N/A	N/A	N/A	60 x 18

<b>GYPSUM</b>		
POM 3-38	Pomona 38" x 42" – Gypsum	478
POM 3-43	Pomona 43" x 42" – Gypsum	505
<b>STONE</b>		
POM 3-38	Pomona 38" x 42" – Stone	764
POM 3-43	Pomona 43" x 42" – Stone	808

# Pomona Picture Frame

Precast Picture Frame Fireplace

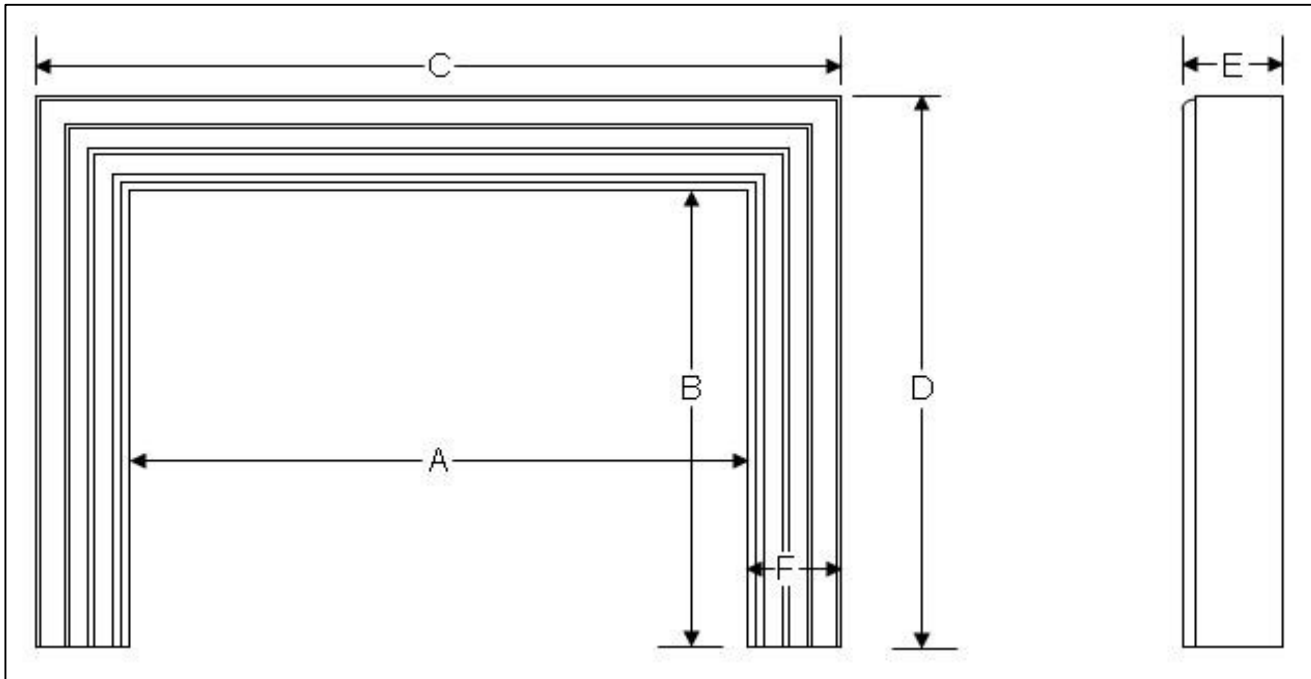


Picture Frame	A	B	C	D	E	F	G	H	I	J	K	Min Hearth Size
POM 4-3935	39	35	51 1/2	47 1/2	4 1/4	6 1/4	N/A	N/A	N/A	N/A	N/A	N/A
POM 4-4036	40	36	52 1/2	48 1/2	4 1/4	6 1/4	N/A	N/A	N/A	N/A	N/A	N/A
POM 4-4132	41	32 1/2	53 1/2	45	4 1/4	6 1/4	N/A	N/A	N/A	N/A	N/A	N/A
POM 4-4532	45	32 1/2	57 1/2	45	4 1/4	6 1/4	N/A	N/A	N/A	N/A	N/A	N/A

GYPSUM		
POM 4-3935	Pomona 39" x 35" Picture Frame – Gypsum (200 LBS)	716
POM 4-4036	Pomona 40" x 36" Picture Frame – Gypsum (200 LBS)	738
POM 4-4132	Pomona 41" x 32 1/2" Picture Frame – Gypsum (200 LBS)	760
POM 4-4532	Pomona 45" x 32 1/2" Picture Frame – Gypsum (200 LBS)	782
STONE		
POM 4-3935	Pomona 39" x 35" Picture Frame – Stone (200 LBS)	1,146
POM 4-4036	Pomona 40" x 36" Picture Frame – Stone (200 LBS)	1,180
POM 4-4132	Pomona 41" x 32 1/2" Picture Frame – Stone (200 LBS)	1,216
POM 4-4532	Pomona 45" x 32 1/2" Picture Frame – Stone (200 LBS)	1,252

# Windsor

## Precast Fireplace

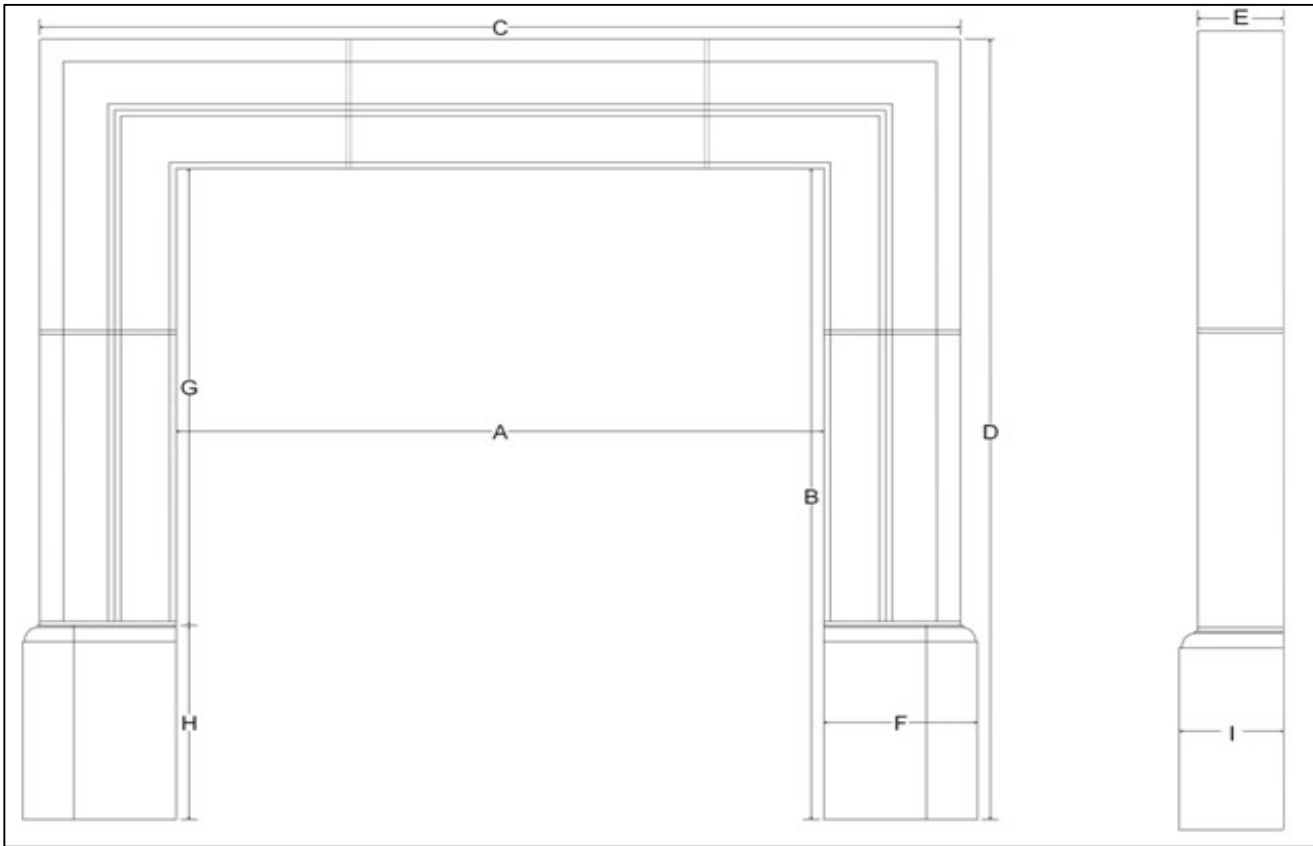


<b>3 Sided</b>	A	B	C	D	E	F	G	H	I	J	K	Min. Hearth Size
WIN 3-34	34	to 42	46	to 48	6	6	N/A	N/A	N/A	N/A	N/A	51 x 18
WIN 3-38	38	to 42	50	to 48	6	6	N/A	N/A	N/A	N/A	N/A	56 x 18
WIN 3-40	40	to 42	52	to 48	6	6	N/A	N/A	N/A	N/A	N/A	56 x 18

<b>GYPSUM</b>		
WIN 3-34	Windsor 34" x 42" – Gypsum (130 LBS)	433
WIN 3-38	Windsor 38" x 44" – Gypsum (135 LBS)	478
WIN 3-40	Windsor 40" x 42" – Gypsum	490
<b>STONE</b>		
WIN 3-34	Windsor 34" x 42" – Stone (230 LBS)	693
WIN 3-38	Windsor 38" x 42" – Stone	765
WIN 3-40	Windsor 40" x 42" – Stone	785

# Zamora

## Precast Fireplace

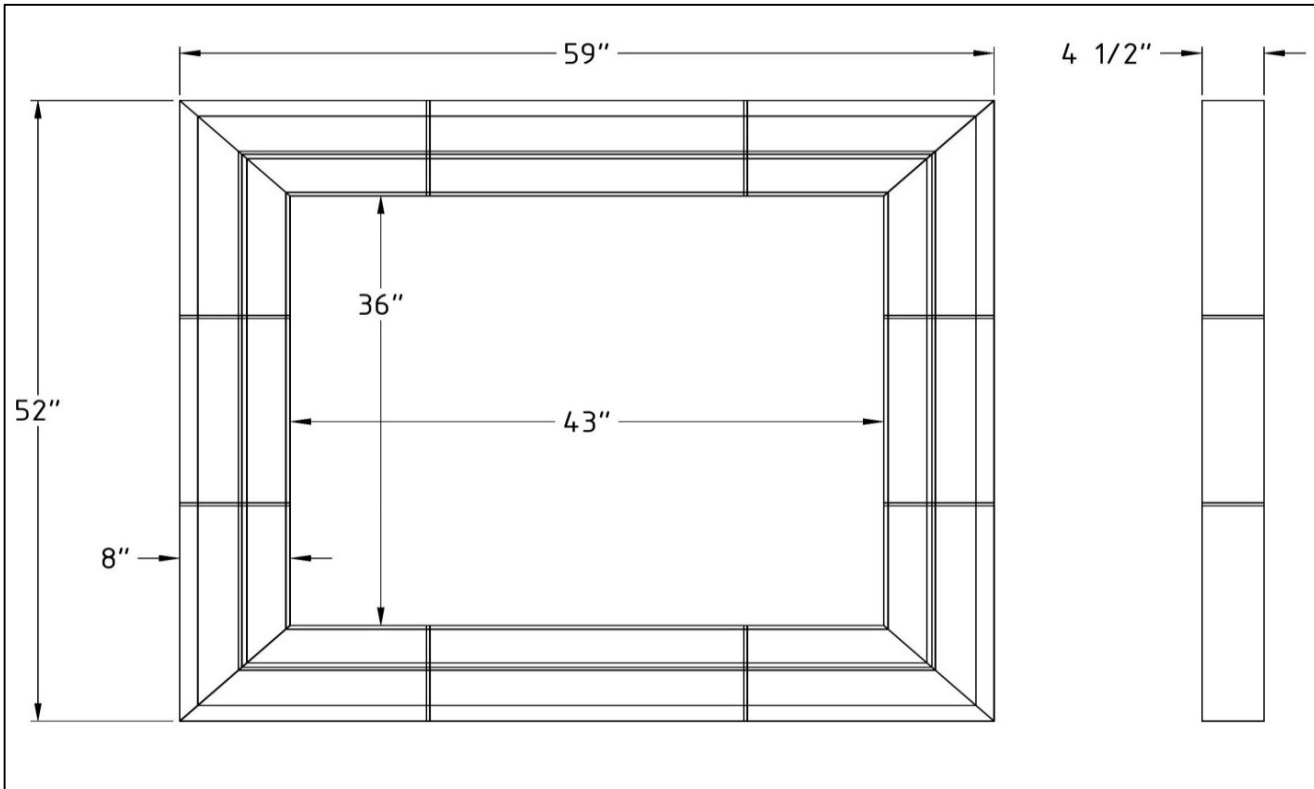


<b>3 Sided</b>	A	B	C	D	E	F	G	H	I	J	K	Min. Hearth Size
ZAM 3-38	38	40	54	48	4 3/4	9	28	12	5 3/4	N/A	N/A	60 x 18
ZAM 3-43	43	43	59	51	4 3/4	9	28	15	5 3/4	N/A	N/A	66 x 20

<b>GYPSUM</b>		
ZAM 3-38	Zamora 38" x 38" – Gypsum	557
ZAM 3-43	Zamora 43" x 43" – Gypsum	622
<b>STONE</b>		
ZAM 3-38	Zamora 38" x 38" – Stone	891
ZAM 3-43	Zamora 43" x 43" – Stone	995

# Zamora

## Precast Picture Frame Fireplace



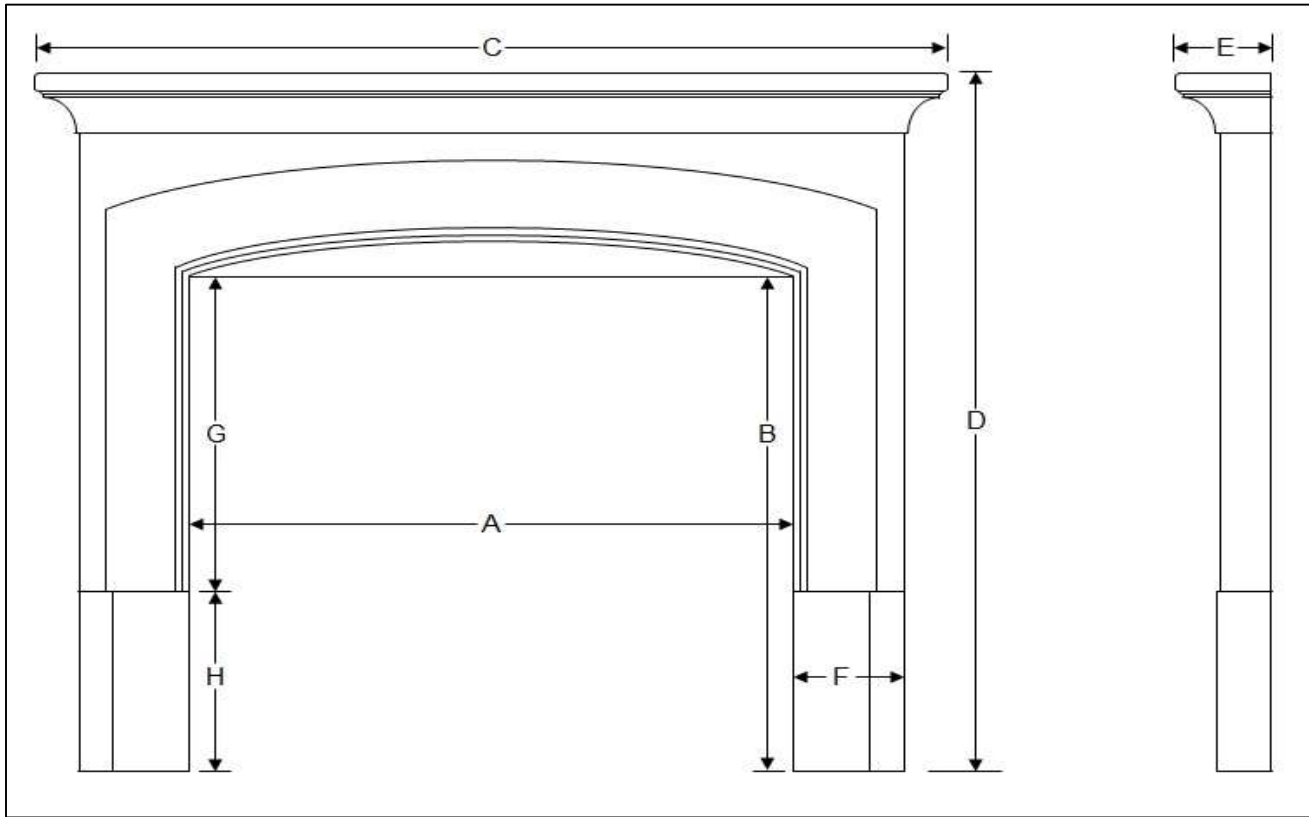
<b>GYPSUM</b>		
ZAM 4-4336	Zamora 43" x 36" Picture Frame – Gypsum	970
<b>STONE</b>		
ZAM 4-4336	Zamora 43" x 36" Picture Frame – Stone	1,551

**HEARTHCO INC.**  
MANUFACTURERS OF PRECAST & WOOD PRODUCTS

Precast  
Mantels  
Traditional

# Capistrano

## Precast Fireplace Mantel

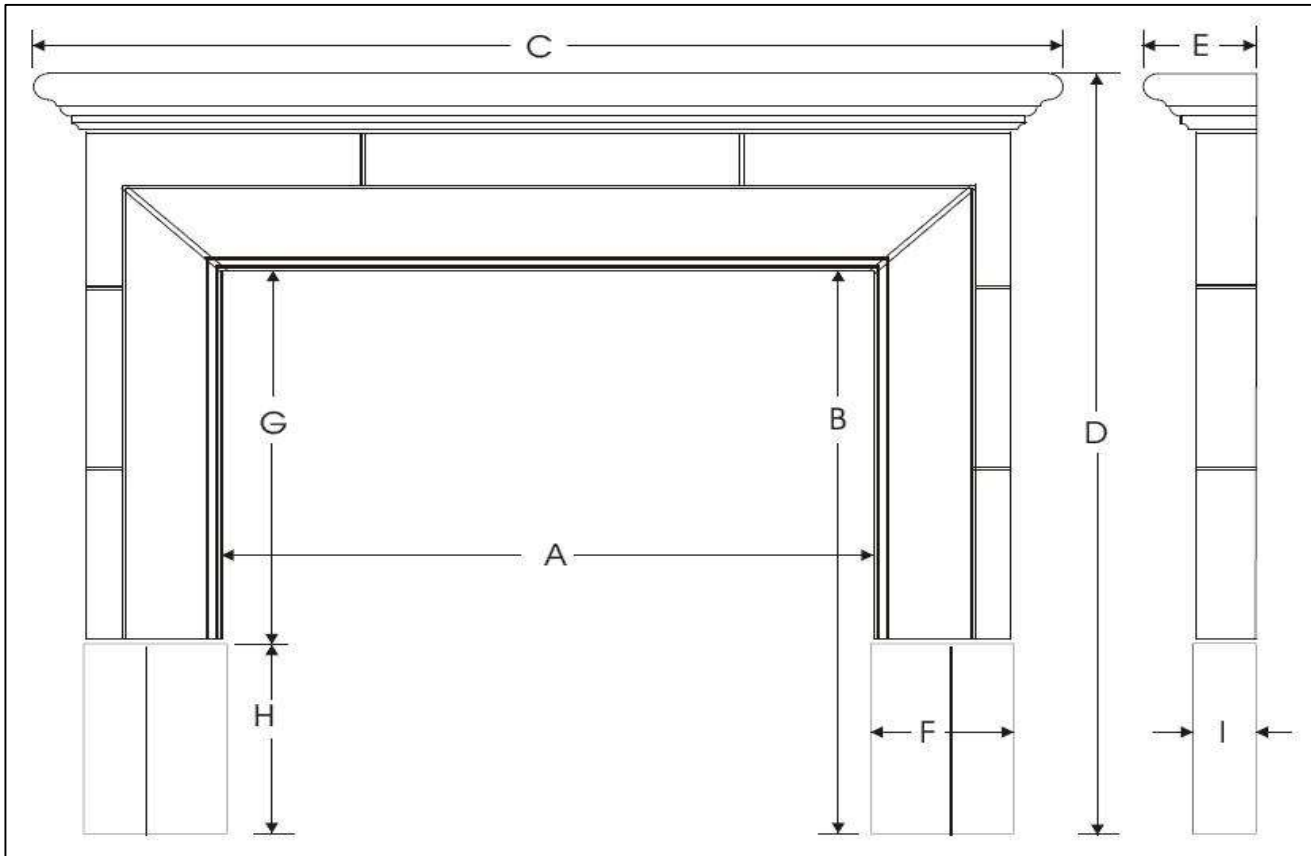


3 Sided	A	B	C	D	E	F	G	H	I	J	K	Min. Hearth Size
CAP 3-40	38	38	60 1/2	55 1/4	8	8 1/8	28	12	N/A	N/A	N/A	60 x 18

<b>GYPSUM</b>		
CAP 3-38	Capistrano 38" x 38" – Gypsum	626
<b>STONE</b>		
CAP 3-38	Capistrano 38" x 38" – Stone	1,002

# Cassano

## Precast Fireplace Mantel



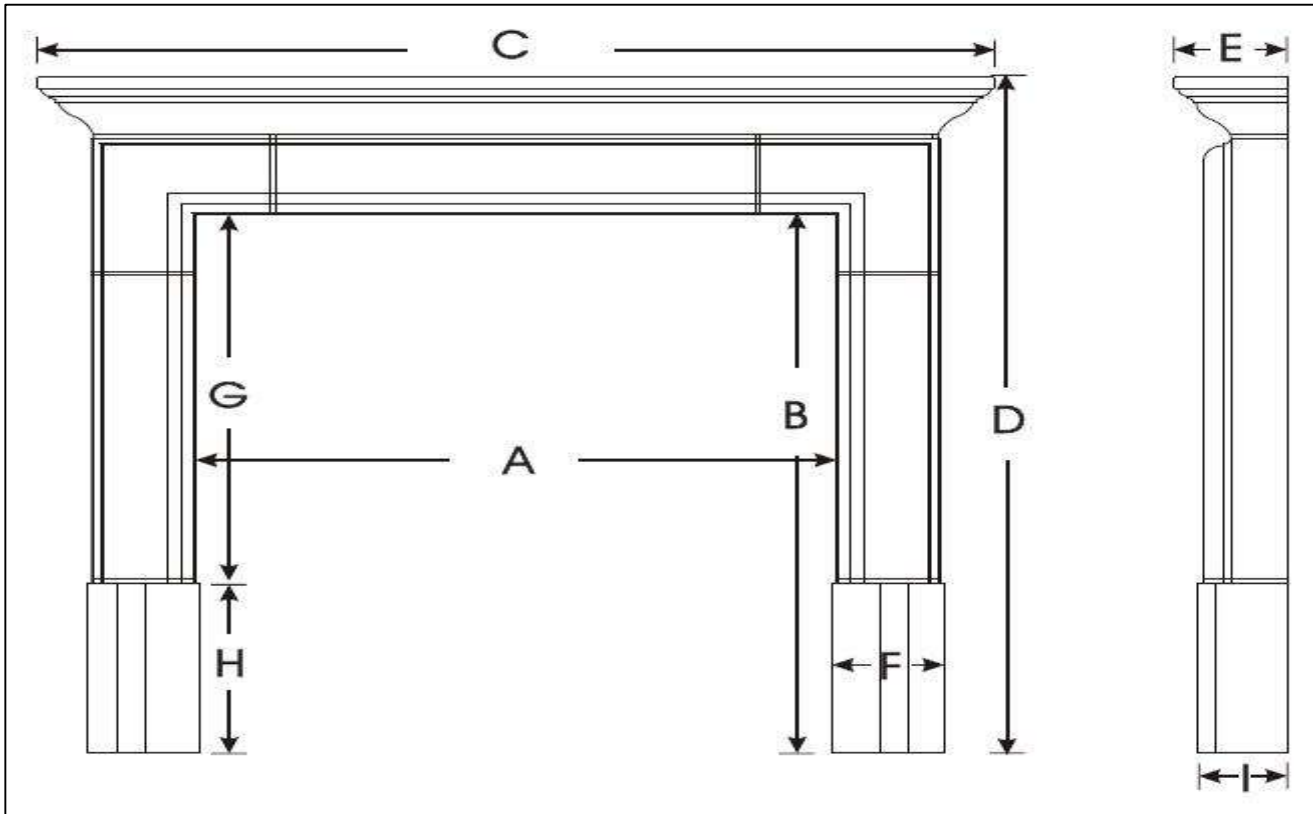
<b>3 Sided</b>	A	B	C	D	E	F	G	H	I	J	K	Min. Hearth Size
CAS 3-38	38 1/4 to 40 1/4	63 1/2	55 1/4	8	9 1/4	28 1/4	12	4 1/2	N/A	N/A	60 x 18	
CAS 3-43	43 1/4 to 43	68 1/4	58	7 3/4	9 1/4	28 1/4	15	4 1/2	N/A	N/A	71 x 20	

<b>GYPSUM</b>		
CASS 3-38	Cassano 38 1/4" x 40" – Gypsum (120 LBS)	715
CASS 3-43	Cassano 43 1/4" x 43" – Gypsum (125 LBS)	740
<b>STONE</b>		
CASS 3-38	Cassano 38 1/4" x 40" – Stone (215 LBS)	1,144
CASS 3-43	Cassano 43 1/4" x 43" – Stone (225 LBS)	1,185



# Coloma

## Precast Fireplace Mantel

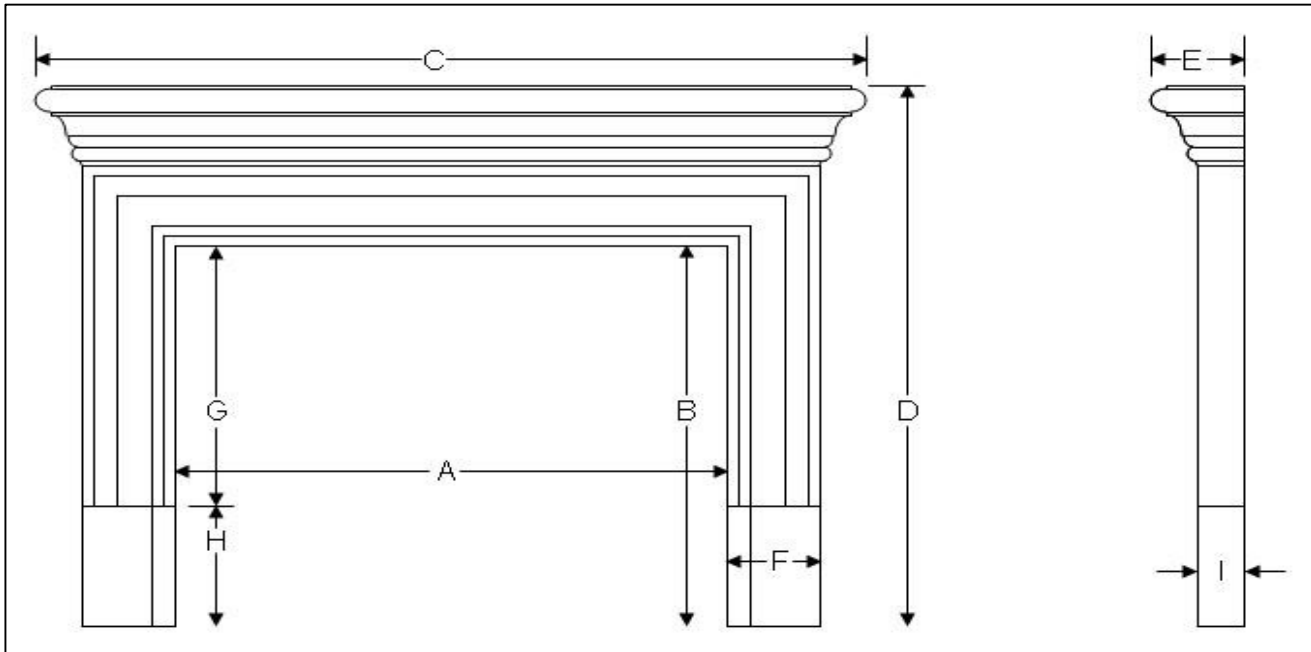


3 Sided	A	B	C	D	E	F	G	H	I	J	K	Min. Hearth Size
COL 3-34	34 1/2	38	51 1/2	48	6	6	26	12	4 7/16	N/A	N/A	51 x 18
COL 3-38	38 1/2	38	55 1/2	48	6	6	26	12	4 7/16	N/A	N/A	56 x 18
COL 3-43	43 1/2	40	60 3/4	50	6	6	28	12	4 7/16	N/A	N/A	60 x 18

GYPSUM		
COL 3-34	Coloma 34 1/2" x 38" – Gypsum (95 LBS)	518
COL 3-38	Coloma 38 1/2" x 38" – Gypsum (105 LBS)	559
COL 3-43	Coloma 43 1/2" x 40" – Gypsum (165 LBS)	587
STONE		
COL 3-34	Coloma 34 1/2" x 38" – Stone (140 LBS)	829
COL 3-38	Coloma 38 1/2" x 38" – Stone (170 LBS)	895
COL 3-43	Coloma 43 1/2" x 40" – Stone (140 LBS)	939

# Dublin

## Precast Fireplace Mantel

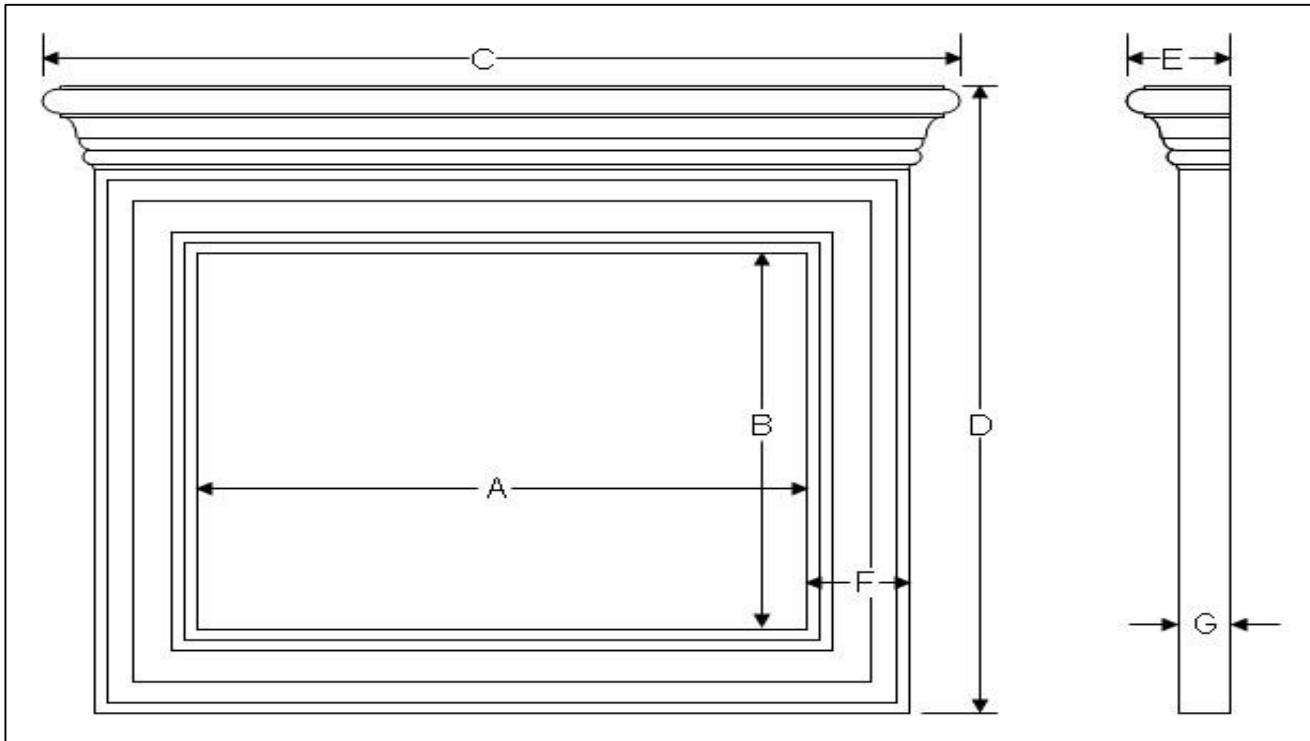


<b>3 Sided</b>	A	B	C	D	E	F	G	H	I	J	K	Min Hearth Size
Dublin 3-34	34	to 38	52	to 50	6 1/4	6	26	12	56	18	2	51
Dublin 3-35	35	to 38	53	to 50	6 1/4	6	26	12	56	18	2	56
Dublin 3-38	38	to 38	56	to 50	6 1/4	6	26	12	56	18	2	56
Dublin 3-40	40	to 40	58	to 52	6 1/4	6	28	12	56	18	2	60
Dublin 3-43	43	to 43	61	to 55	6 1/4	6	28	15	66	20	2	60
Dublin 3-45	45	to 43	63	to 55	6 1/4	6	28	15	66	20	2	66

<b>GYPSUM</b>		
DUB 3-34	Dublin 34" x 38" – Gypsum (105 LBS)	518
DUB 3-35	Dublin 35" x 38" – Gypsum (105 LBS)	533
DUB 3-38	Dublin 38" x 38" – Gypsum (105 LBS)	559
DUB 3-40	Dublin 40" x 40" – Gypsum (115 LBS)	572
DUB 3-43	Dublin 43" x 43" – Gypsum (130 LBS)	587
DUB 3-45	Dublin 45" x 43" – Gypsum (140 LBS)	600
<b>STONE</b>		
DUB 3-34	Dublin 34" x 38" – Stone (130 LBS)	829
DUB 3-35	Dublin 35" x 38" – Stone (135 LBS)	852
DUB 3-38	Dublin 38" x 38" – Stone (140 LBS)	895
DUB 3-40	Dublin 40" x 40" – Stone (145 LBS)	916
DUB 3-43	Dublin 43" x 43" – Stone (165 LBS)	939
DUB 3-45	Dublin 45" x 43" – Stone (175 LBS)	960

# Dublin Picture Frame

## Precast Picture Frame Fireplace Mantel

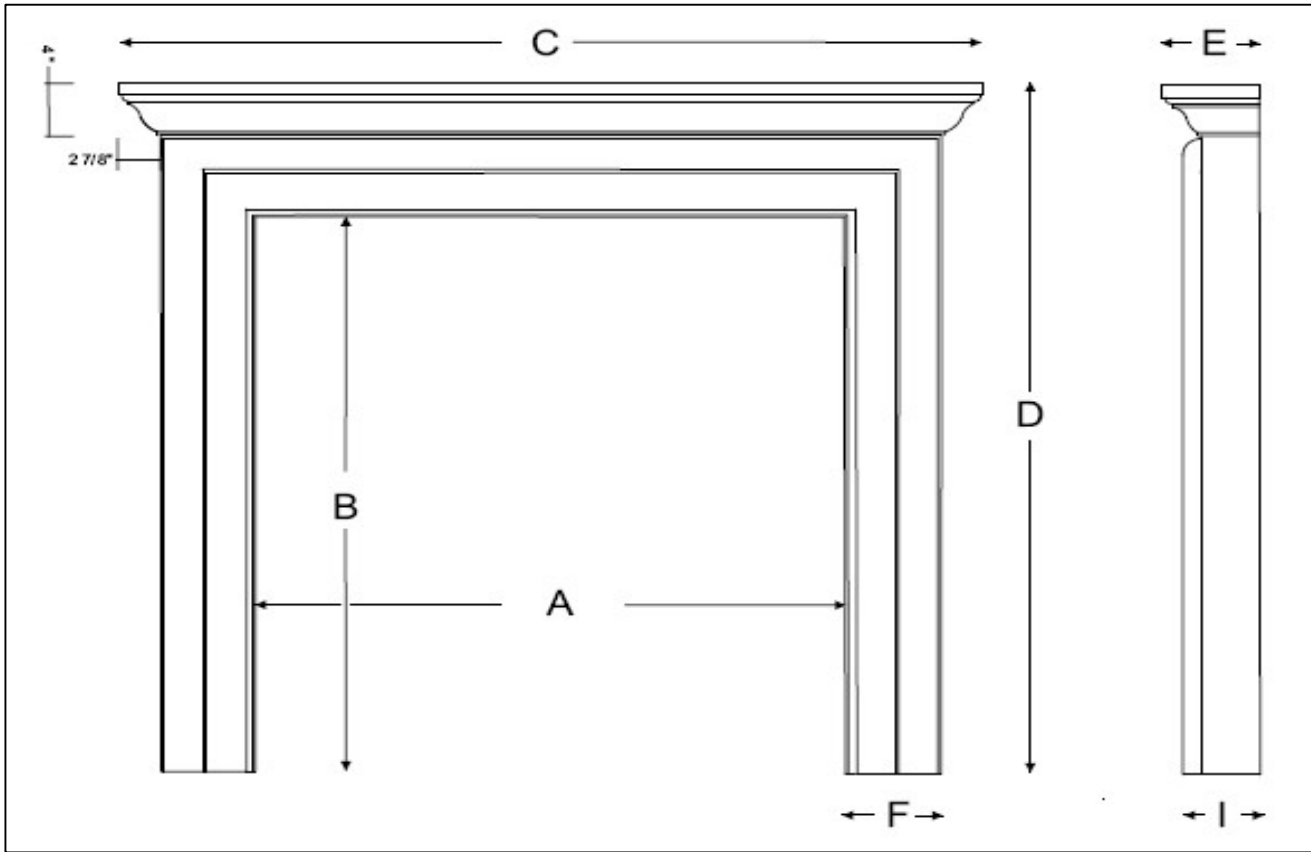


Picture Frame	A	B	C	D	E	F	G	H	I	J	K	Min Hearth Size
Dublin 4-34	34	31	52	49	6 1/4	6	N/A	N/A	N/A	N/A	N/A	N/A
Dublin 4-3833	38	33	56	51	6 1/4	6	N/A	N/A	N/A	N/A	N/A	N/A
Dublin 4-3836	38	36	56	54	6 1/4	6	N/A	N/A	N/A	N/A	N/A	N/A
Dublin 4-43	43	36	61	54	6 1/4	6	N/A	N/A	N/A	N/A	N/A	N/A

GYPSUM		
DUB 4-3431	Dublin 34" x 31" Picture Frame – Gypsum	778
DUB 4-3833	Dublin 38" x 33" Picture Frame – Gypsum	837
DUB 4-3836	Dublin 38" x 36" Picture Frame – Gypsum	837
DUB 4-4336	Dublin 43" x 36" Picture Frame – Gypsum	880
STONE		
DUB 4-3431	Dublin 34" x 31" Picture Frame – Stone	1,244
DUB 4-3833	Dublin 38" x 33" Picture Frame – Stone	1,340
DUB 4-3836	Dublin 38" x 36" Picture Frame – Stone	1,340
DUB 4-4336	Dublin 43" x 36" Picture Frame – Stone	1,408

# Essex

## Precast Fireplace Mantel

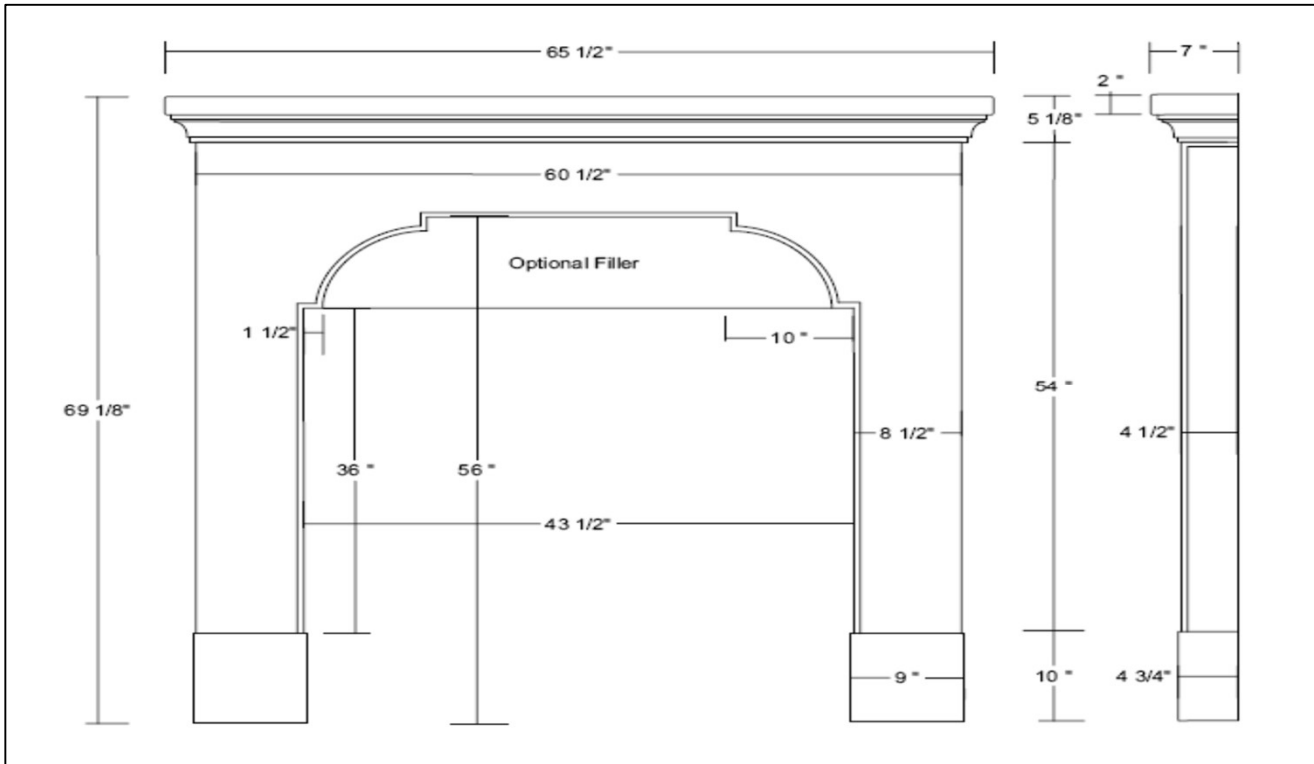


3 Sided	A	B	C	D	E	F	G	H	I	J	K	Min. Hearth Size
ESS 3-38	38 1/4	42	56 1/2	52 1/2	6 1/4	6 1/4	N/A	N/A	4 1/2	N/A	N/A	56 x 18
ESS 3-43	43 1/4	42	61 5/8	52 1/2	6 1/4	6 1/4	N/A	N/A	4 1/2	N/A	N/A	60 x 18

GYPSUM		
ESS 3-38	Essex 38 1/4" x 42" – Gypsum (125 LBS)	559
ESS 3-43	Essex 43 1/4" x 43" – Gypsum	587
STONE		
ESS 3-38	Essex 38 1/4" x 42" – Stone (165 LBS)	895
ESS 3-43	Essex 43 1/4" x 43" – Stone	939

# Hermosa

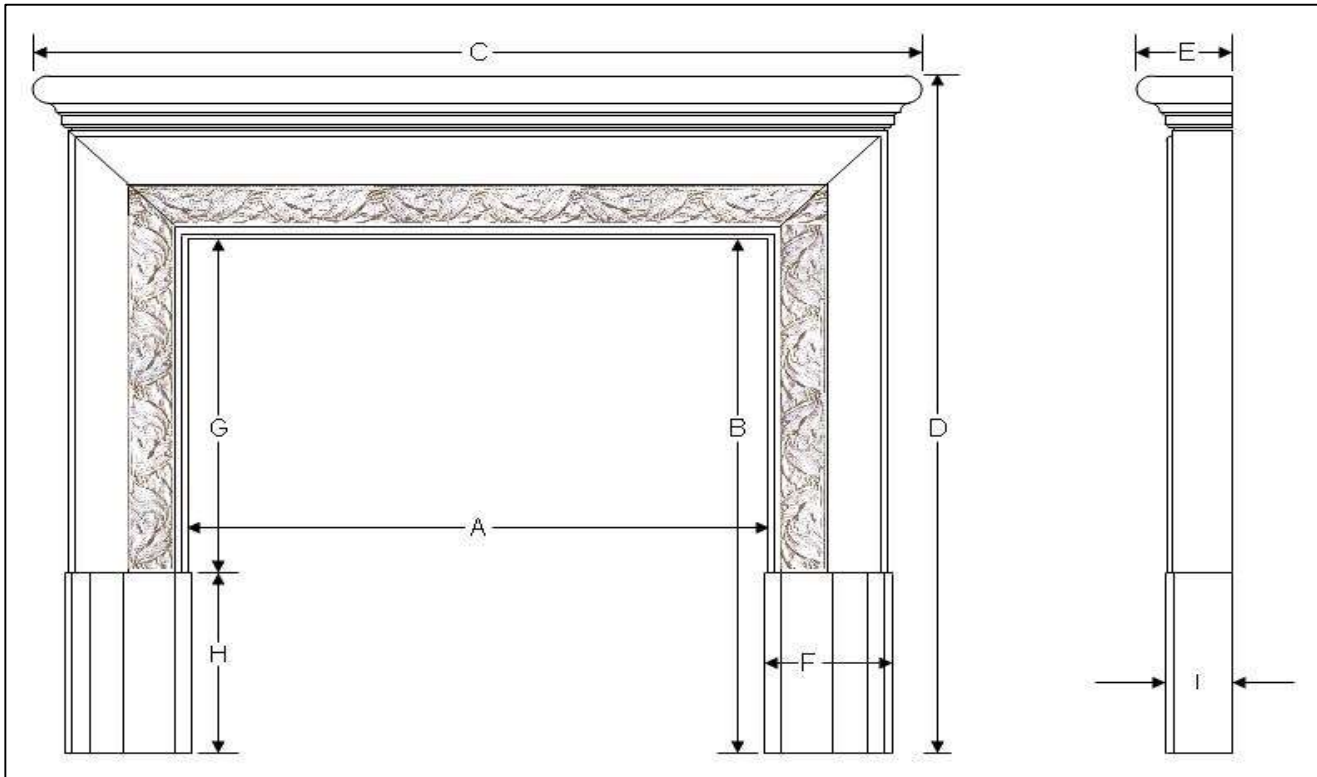
## Precast Fireplace Mantel



<b>GYPSUM</b>		
HER 3-43	Hermosa 43" x 42" Mantel – Gypsum	761
HER FS	Hermosa Flat Stock (Option)	150
<b>STONE</b>		
HER 3-43	Hermosa 43" x 42" Mantel – Stone	1,217
HER FS	Hermosa Flat Stock (Option) – Stone	240

# Malibu

## Precast Fireplace Mantel

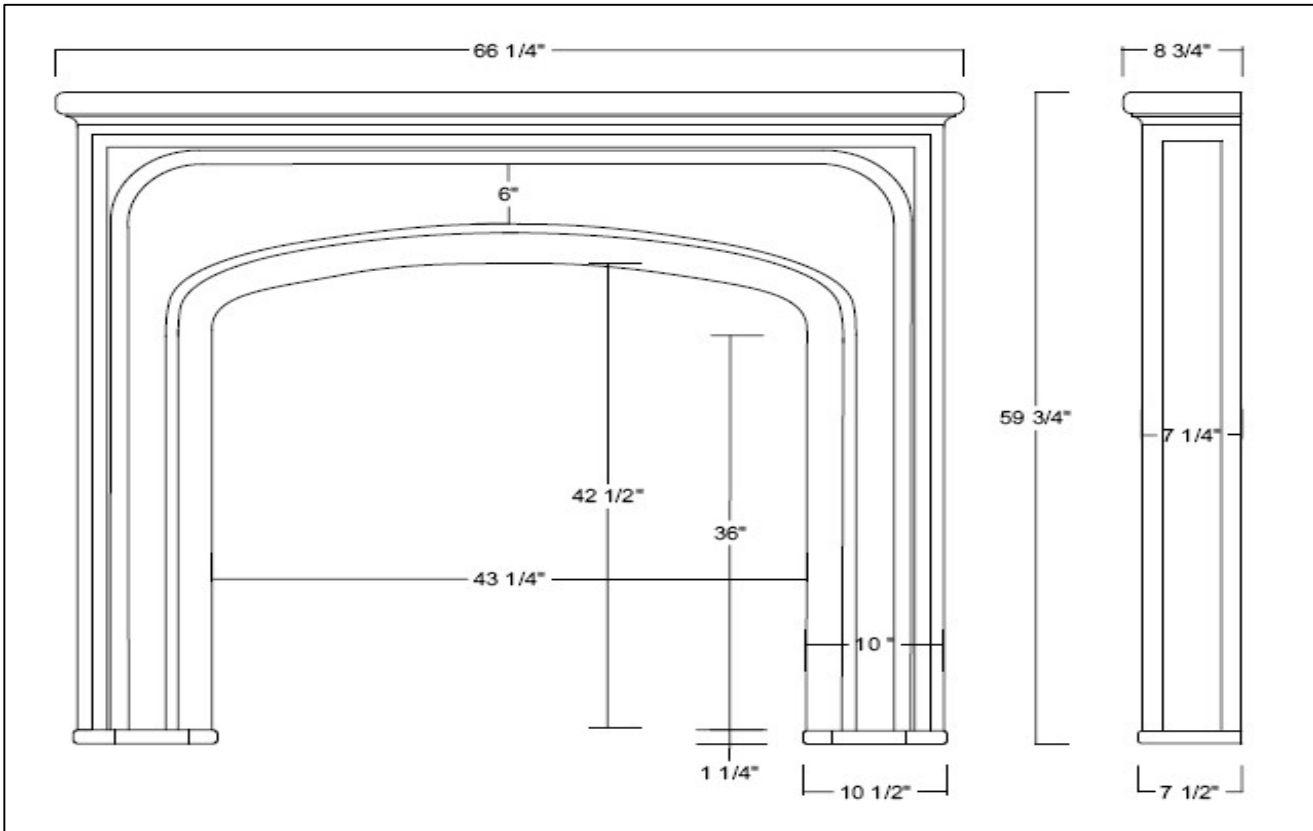


<b>3 Sided</b>	A	B	C	D	E	F	G	H	I	J	K	Min. Hearth Size
MAL 3-38	38	to 40	61 1/2	to 53	6 1/2	9	28	12	4 1/2	N/A	N/A	60 x 18
MAL 3-43	43	to 43	66 1/2	to 56	6 1/2	9	28	15	4 1/2	N/A	N/A	66 x 20

<b>GYPSUM</b>		
MAL 3-38	Malibu 38" x 40" – Gypsum	715
MAL 3-43	Malibu 43" x 43" – Gypsum	740
<b>STONE</b>		
MAL 3-38	Malibu 38" x 40" – Stone	1,144
MAL 3-43	Malibu 43" x 43" – Stone	1,185

# Maricopa

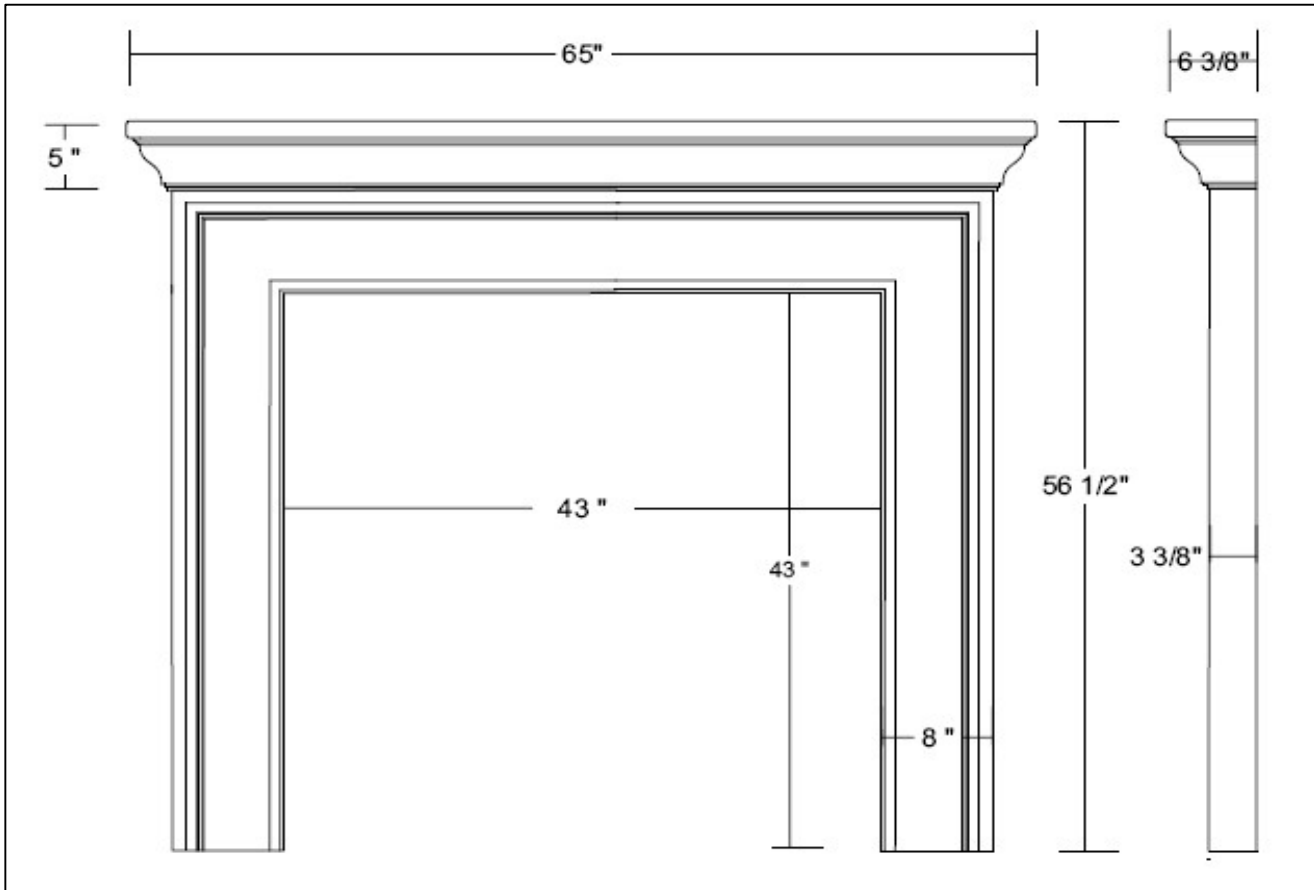
## Precast Fireplace Mantel



<b>GYPSUM</b>		
MAR 3-43	Maricopa 43" x 36" – Gypsum	762
<b>STONE</b>		
MAR 3-43	Maricopa 43" x 36" – Stone	1,219

# Meridian

## Precast Fireplace Mantel

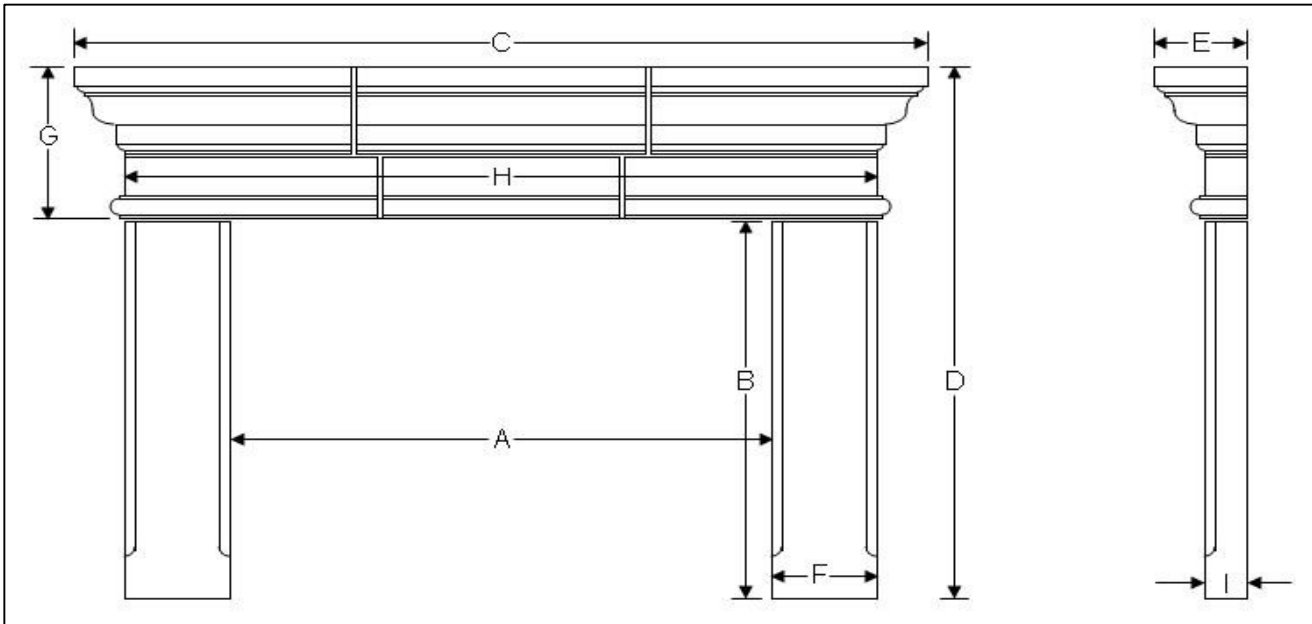


<b>GYPSUM</b>		
MER 3-43	Meridian 43" x 43" – Gypsum	659
<b>STONE</b>		
MER 3-43	Meridian 43" x 43" – Stone	1,054



# Mesa

## Precast Fireplace Mantel

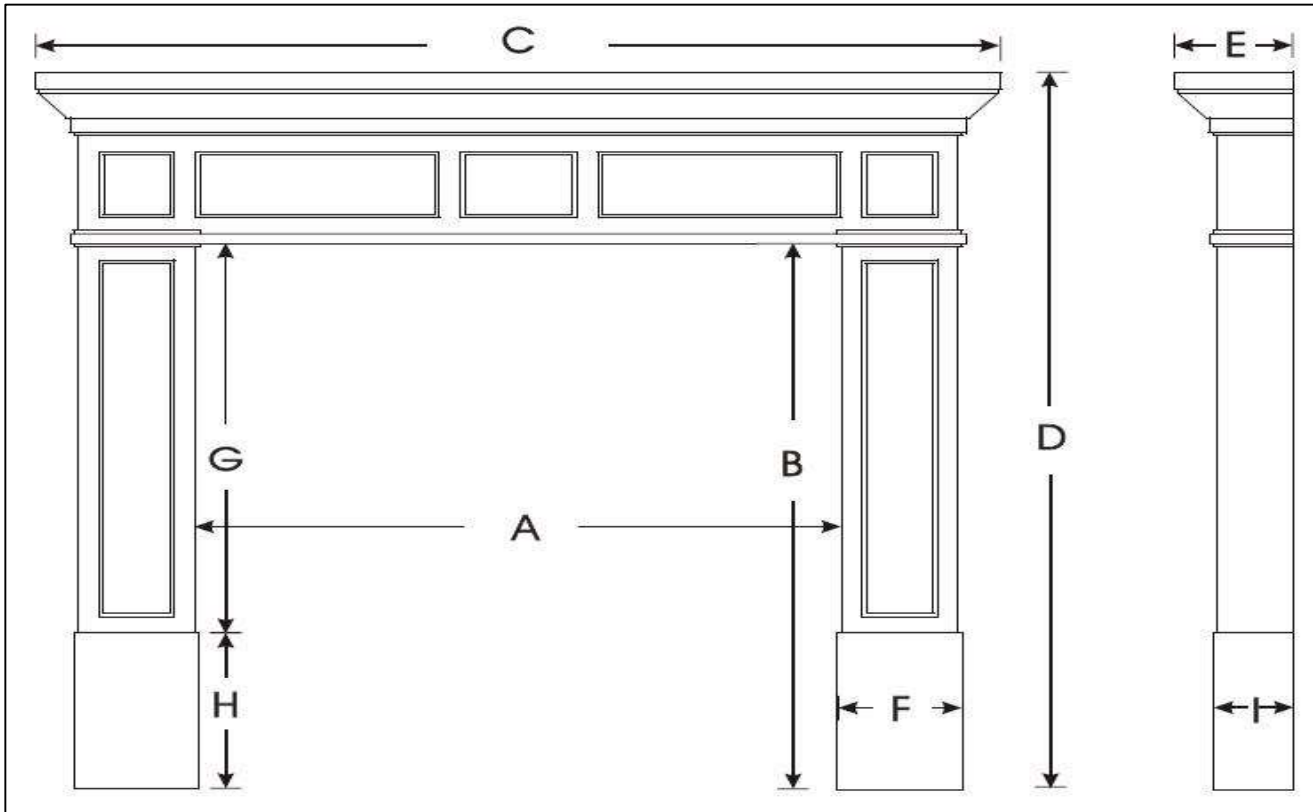


One Piece	A	B	C	D	E	F	G	H	I	J	K	Min. Hearth Size
MES 3-35	35	38 1/2	57 1/2	51	6 1/2	8	12 1/2	51	3 1/4	N/A	N/A	56 x 18
MES 3-38	38	40 1/4	60	52 1/2	6 1/2	8	12 1/2	54	3 1/4	N/A	N/A	60 x 18

GYPSUM		
MES 3-35	Mesa 35" x 38" – Gypsum (100 LBS)	598
MES 3-38	Mesa 38" x 40" – Gypsum (115 LBS)	626
STONE		
MES 3-35	Mesa 35" x 38" – Stone (180 LBS)	956
MES 3-38	Mesa 38" x 40" – Stone (210 LBS)	1,002

# Mission

## Precast Fireplace Mantel

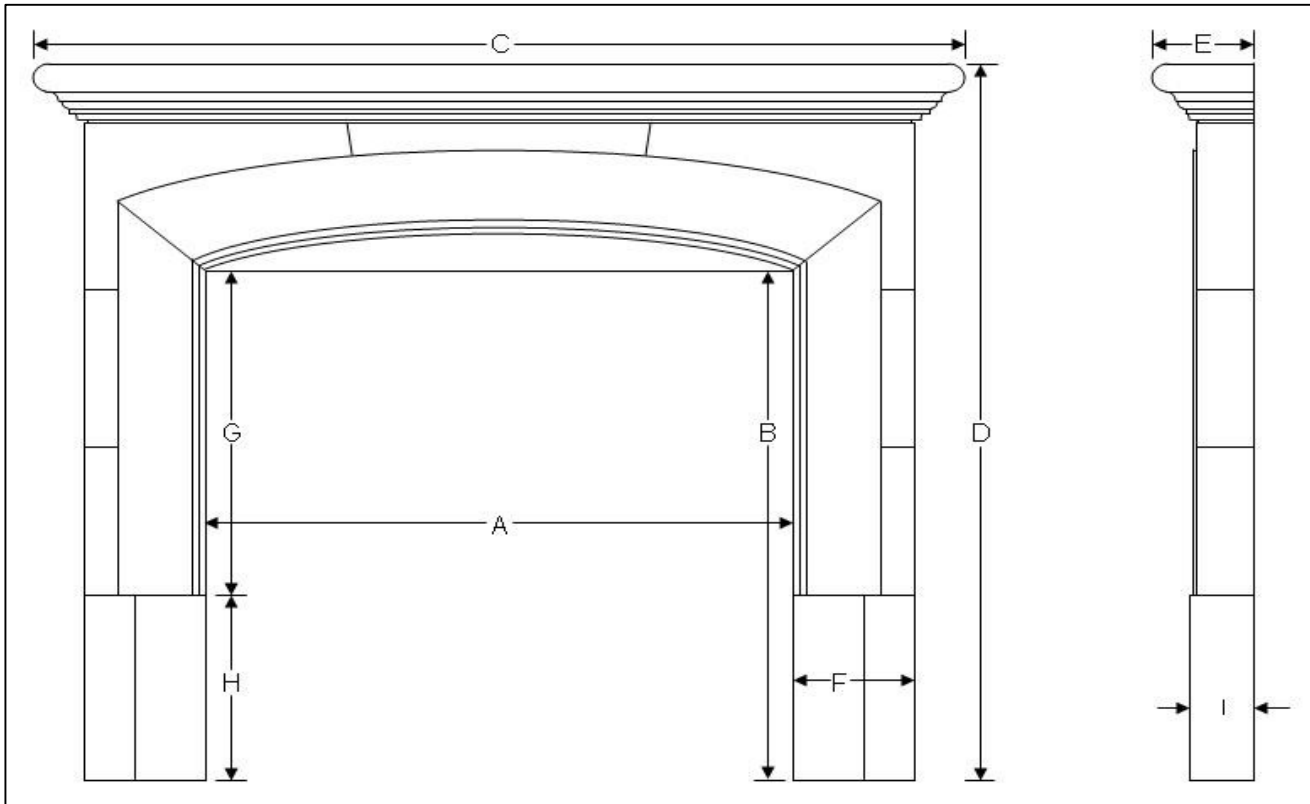


<b>3 Sided</b>	A	B	C	D	E	F	G	H	I	J	K	Min. Hearth Size
MIS 3-38	38 3/4	41 5/8	58	55	7 1/8	7 1/2	29 1/2	12	4 3/4	N/A	N/A	60 x 18
MIS 3-43	43 3/4	41 5/8	63	55	7 1/8	7 1/2	29 1/2	12	4 3/4	N/A	N/A	66 x 20

<b>GYPSUM</b>		
MIS 3-38	Mission 38 3/4" x 41" – Gypsum	626
MIS 3-43	Mission 43 3/4" x 43" – Gypsum	659
<b>STONE</b>		
MIS 3-38	Mission 38 3/4" x 41" – Stone	1,002
MIS 3-43	Mission 43 3/4" x 43" – Stone	1,054

# Pacifica

## Precast Fireplace Mantel

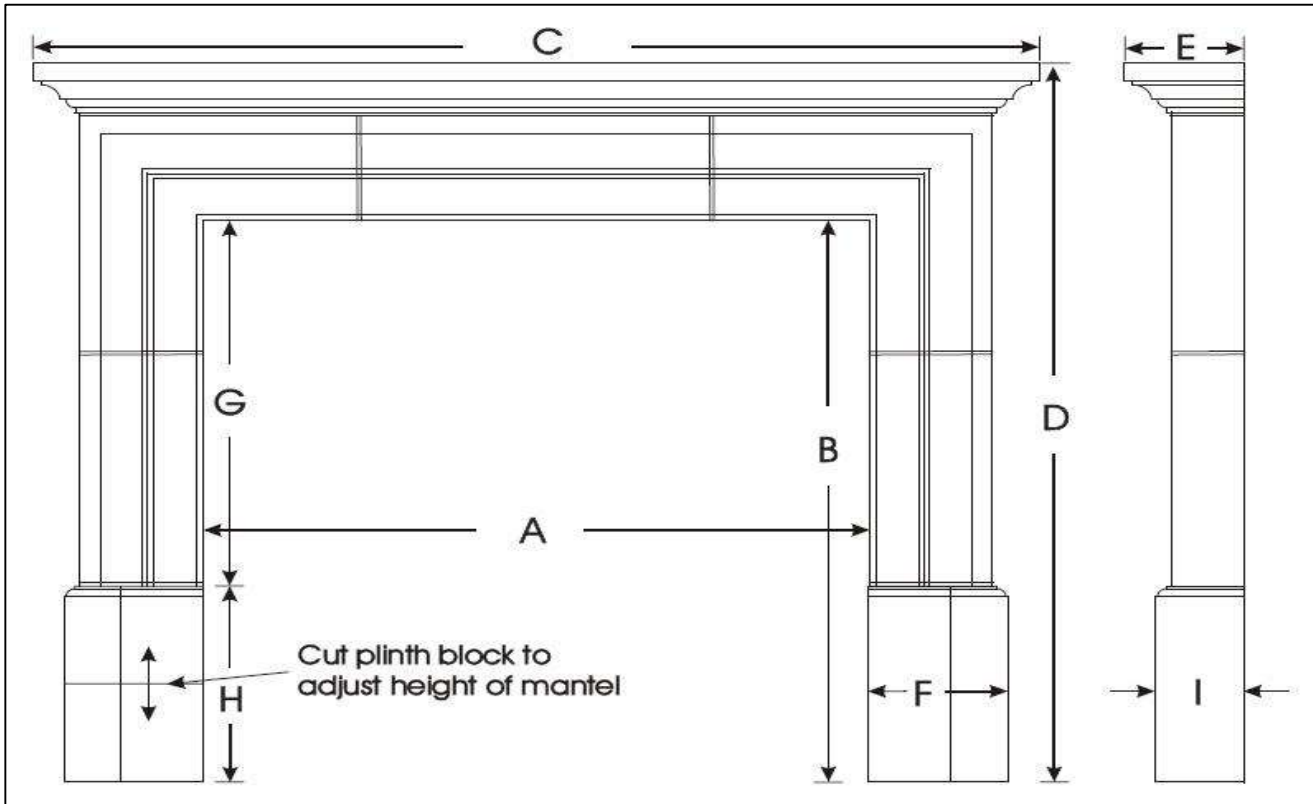


<b>3 Sided</b>	A	B	C	D	E	F	G	H	I	J	K	Min. Hearth Size
PAC 3-35	35	38 1/4	56 1/2	52	6 1/2	8 1/4	26 1/4	12	4	N/A	N/A	56 x 18
PAC 3-38-60	38 1/4	40 1/4	60	54 3/4	6	9 1/4	28 1/4	12	4 3/4	N/A	N/A	60 x 18
PAC 3-38-64	38 1/4	40 1/4	63 1/2	56	8	9 1/4	28 1/4	12	4 3/4	N/A	N/A	60 x 18
PAC 3-43	43 1/2	43 1/4	68 1/2	60	8	9 1/4	28 1/4	15	4 3/4	N/A	N/A	71 x 20

<b>GYPSUM</b>		
PAC 3-35	Pacifica 35" x 38" – Gypsum	680
PAC 3-38-60	Pacifica 38 1/4" x 40" w/ 60" cap – Gypsum	715
PAC 3-38-64	Pacifica 38 1/4" x 40" w/ 64" cap – Gypsum	715
PAC 3-43	Pacifica 43 1/2" x 43" – Gypsum	740
<b>STONE</b>		
PAC 3-35	Pacifica 35" x 38" – Stone	1,088
PAC 3-38-60	Pacifica 38 1/4" x 40" w/ 60" cap – Stone	1,144
PAC 3-38-64	Pacifica 38 1/4" x 40" w/ 64" cap – Stone	1,144
PAC 3-43	Pacifica 43 1/2" x 43" – Stone	1,184

# Rovana

## Precast Fireplace Mantel

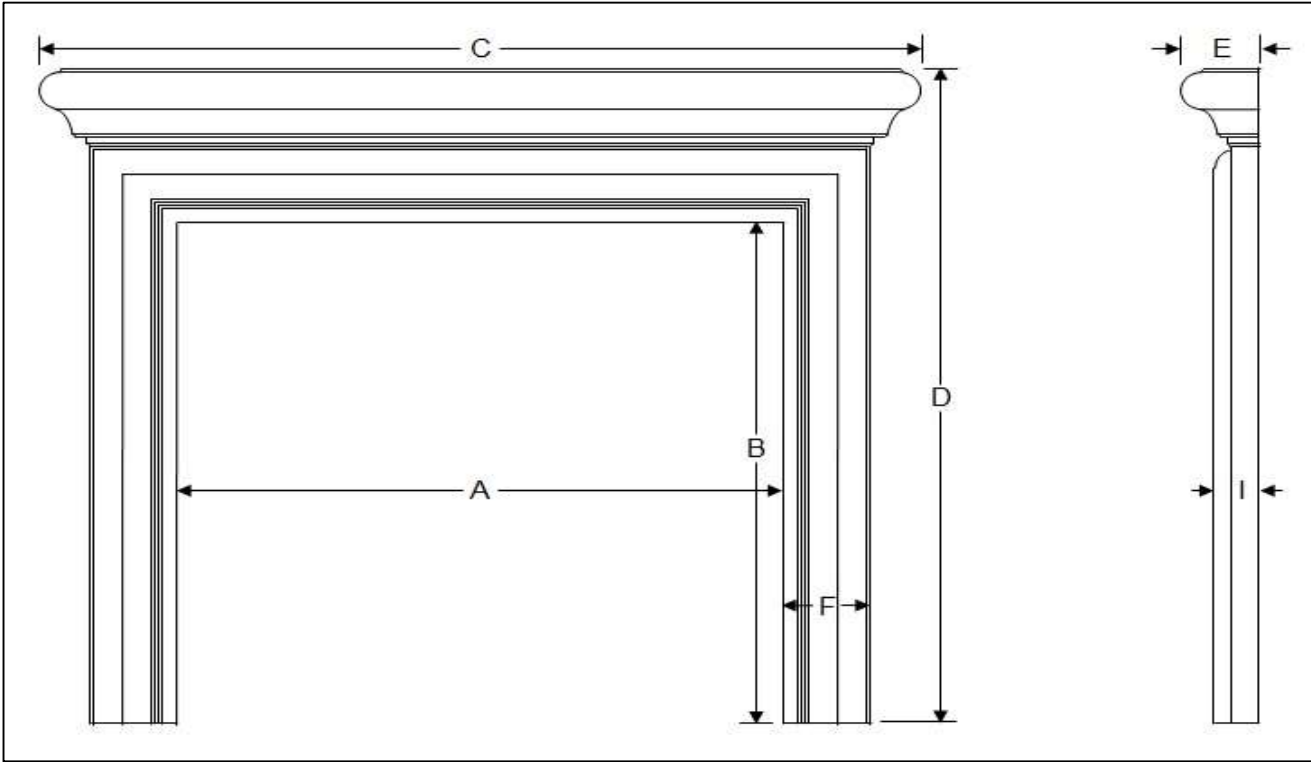


3 Sided	A	B	C	D	E	F	G	H	I	J	K	Min. Hearth Size
ROV 3-38	38	40	60 1/2	52 1/2	8	9	28	12	5 3/4	N/A	N/A	60 x 18
ROV 3-43	43	43	65 1/2	55 1/2	8	9	28	15	5 3/4	N/A	N/A	66 x 20

GYPSUM		
ROV 3-38	Rovana 38" x 40" – Gypsum	626
ROV 3-43	Rovana 43" x 43" – Gypsum	659
STONE		
ROV 3-38	Rovana 38" x 40" – Stone (195 LBS)	1,002
ROV 3-43	Rovana 43" x 43" – Stone (225 LBS)	1,054

# Solera

## Precast Fireplace Mantel

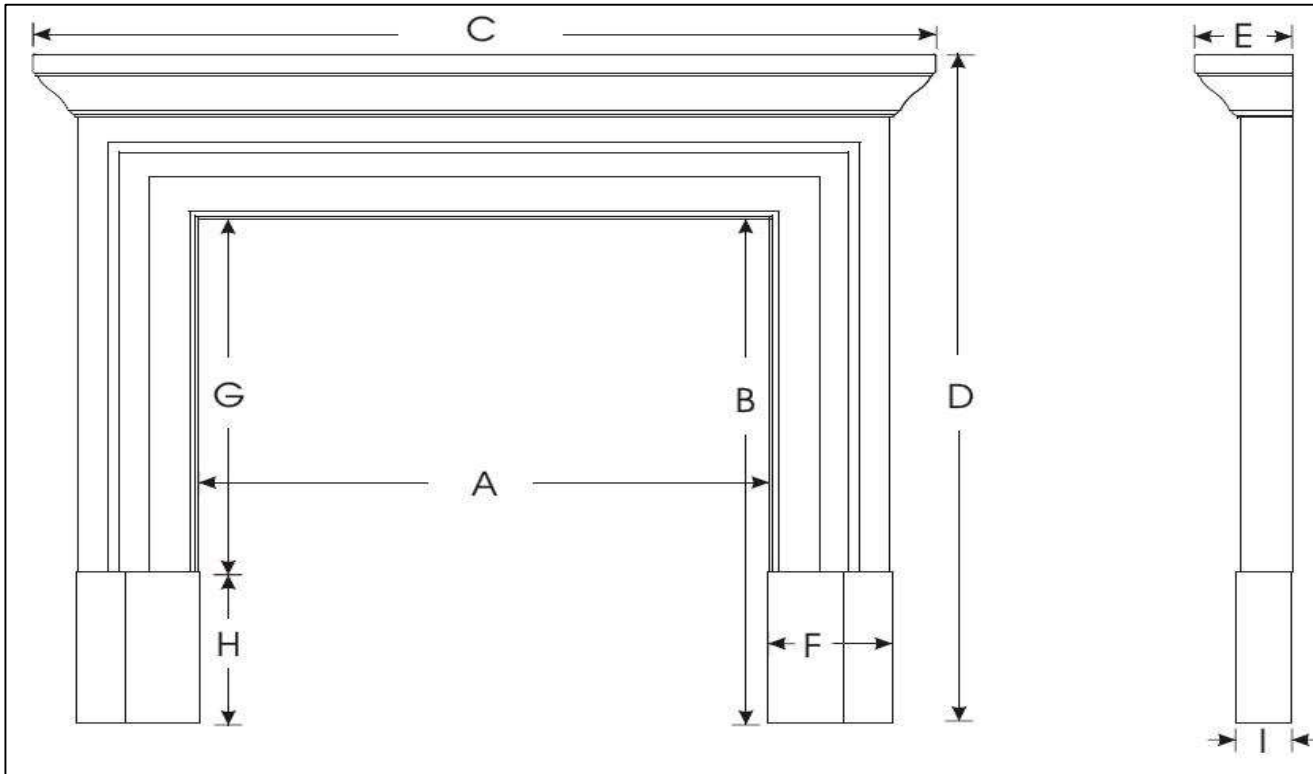


3 Sided	A	B	C	D	E	F	G	H	I	J	K	Min. Hearth Size
SOL 3-38	38	43	57	54 3/4	5 1/2	6	N/A	N/A	3	N/A	N/A	56 x 18

<b>GYPSUM</b>		
SOL 3-38	Solera 38" x 38" – Gypsum (105 LBS)	559
<b>STONE</b>		
SOL 3-38	Solera 38" x 38" – Stone (170 LBS)	895

# Tiburon

## Precast Fireplace Mantel



3 Sided	A	B	C	D	E	F	G	H	I	J	K	Min. Hearth Size
TIB 3-35	35 1/4	to 41	57 1/4	to 54	6 1/2	8 1/4	26	15	3 5/8	N/A	N/A	56 x 18
TIB 3-38	38 1/4	to 40	60	to 53	6 1/2	8 1/4	28	12	3 5/8	N/A	N/A	60 x 18
TIB 3-43	43 1/4	to 43	65 1/4	to 56 1/2	6 1/2	8 1/4	28	15	3 5/8	N/A	N/A	66 x 20

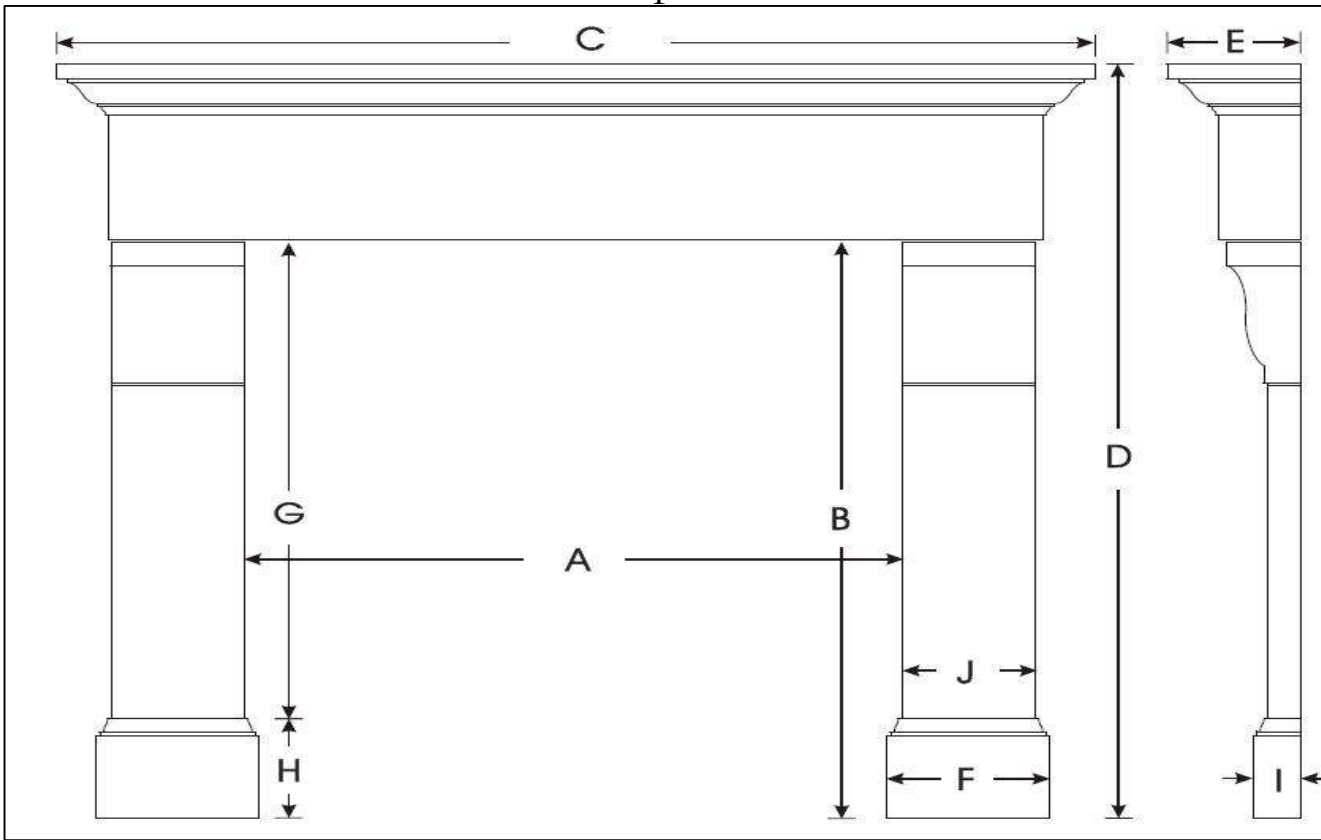
GYPSUM		
TIB 3-35	Tiburon 35 1/4" x 41" Mantel – Gypsum (110 LBS)	598
TIB 3-38	Tiburon 38 1/4" x 40" Mantel – Gypsum (115 LBS)	626
TIB 3-43	Tiburon 43 1/4" x 43" Mantel – Gypsum (120 LBS)	659
STONE		
TIB 3-35	Tiburon 35 1/4" x 41" Mantel – Stone (155 LBS)	956
TIB 3-38	Tiburon 38 1/4" x 40" Mantel – Stone (175 LBS)	1,002
TIB 3-43	Tiburon 43 1/4" x 43" Mantel – Stone (180 LBS)	1,054

**HEARTHCO INC.**  
MANUFACTURERS OF PRECAST & WOOD PRODUCTS

Precast  
Large  
Mantels  
Traditional

# Bishop

## Precast Fireplace Mantel



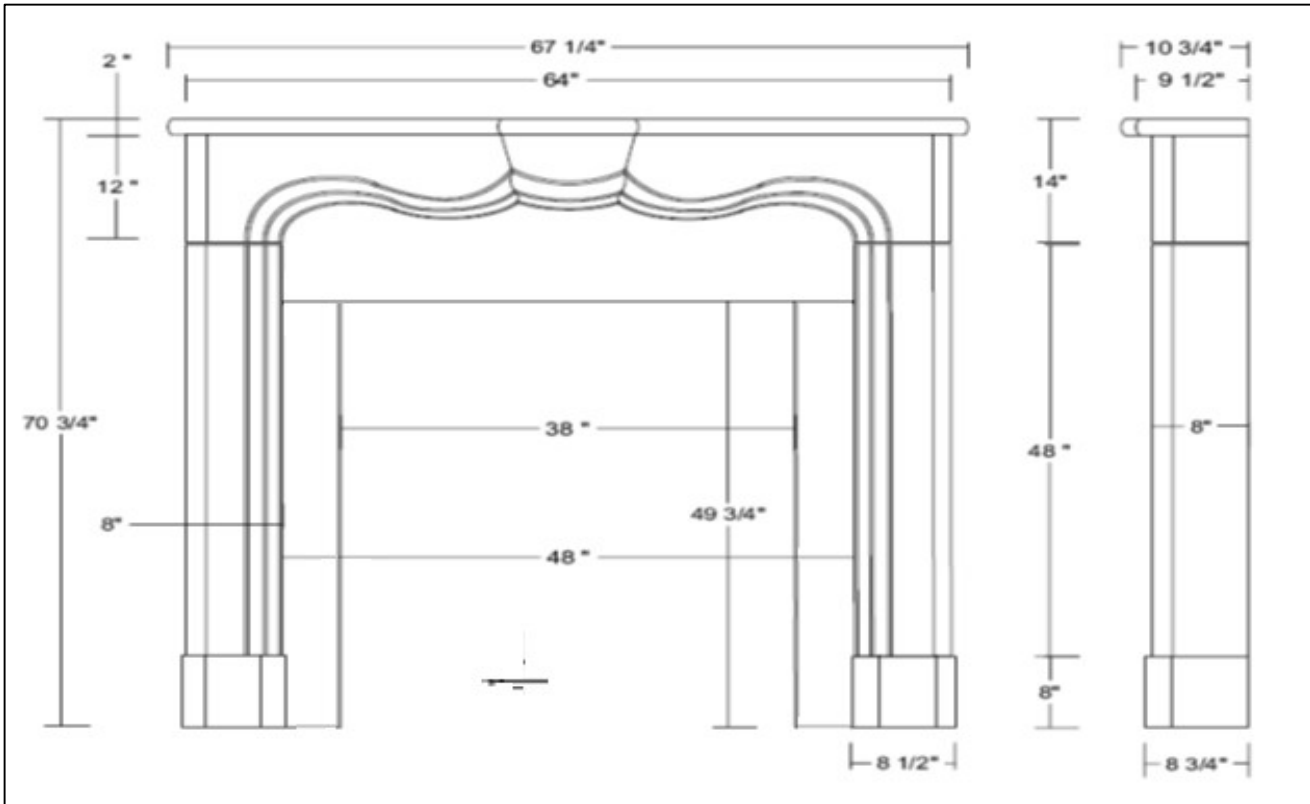
	A	B	C	D	E	F	G	H	I	J	Min Hearth Size
Bishop	to 42 1/4	to 56	to 70	to 71 3/4	9	11	48	8 1/2	3 1/4	9	66 x 20

GYPSUM		
Bishop	Bishop -Gypsum	914
STONE		
Bishop	Bishop -Stone	1,463



# Covelo

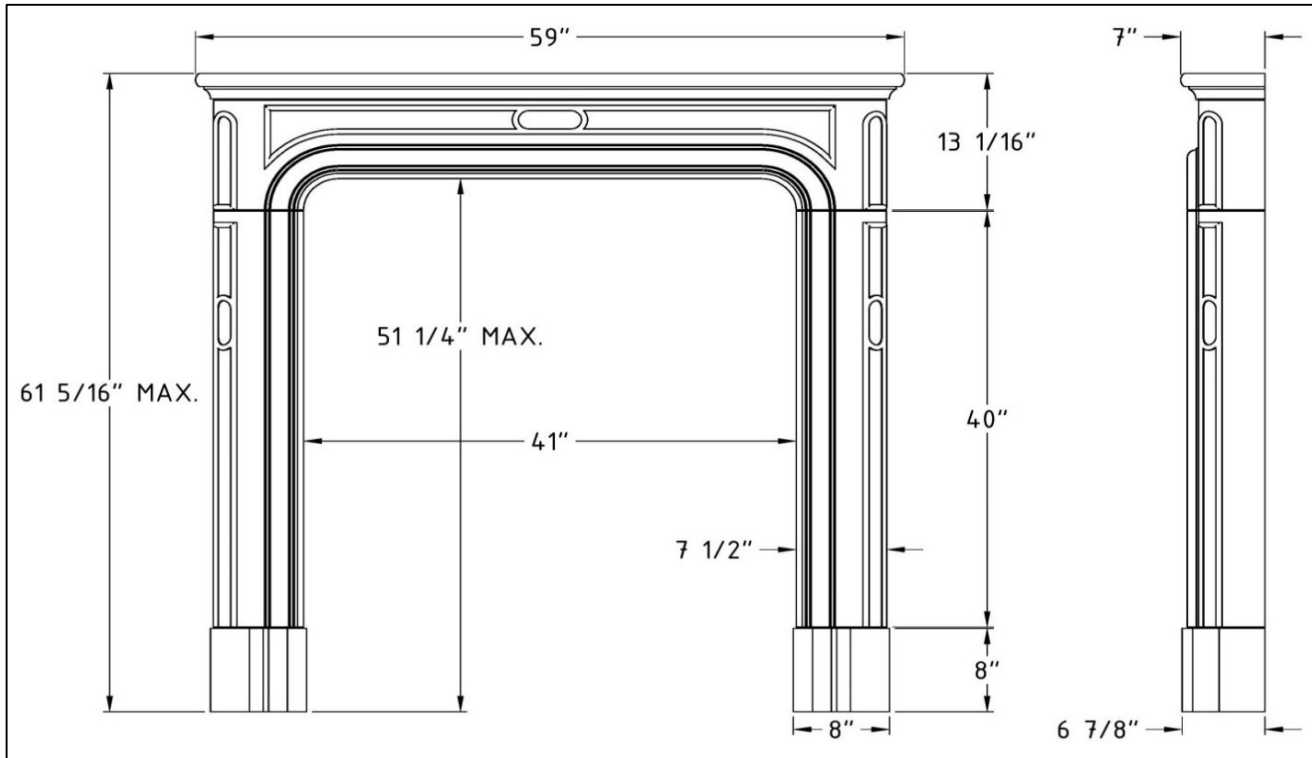
## Precast Fireplace Mantel



<b>GYPSUM</b>		
COVE 66	Covelo 66" – Gypsum	1,073
COVEFS	NO MOLD AS OF THIS PRINTING	#VALUE!
<b>STONE</b>		
COVE 66	Covelo 66" – Stone	1,716
COVEFS	NO MOLD AS OF THIS PRINTING	#VALUE!

# Cypress

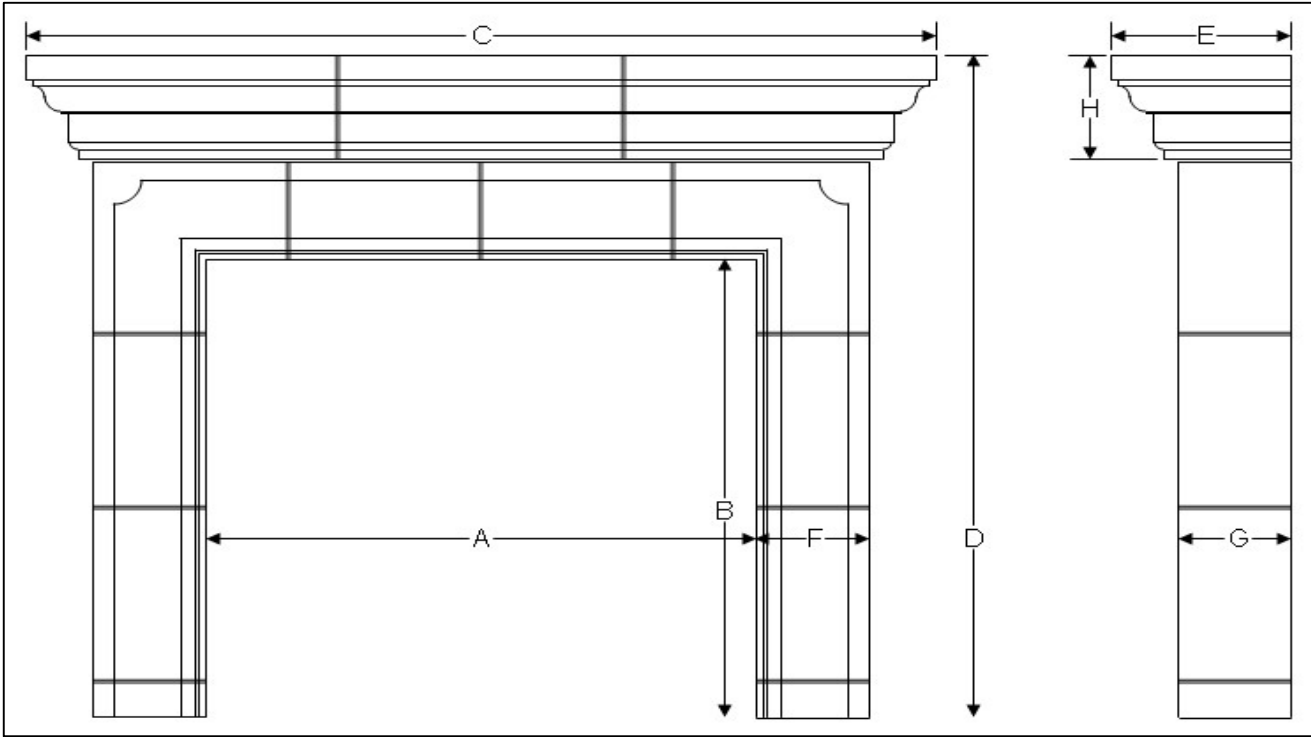
## Precast Fireplace Mantel



<b>GYPSUM</b>		
CYP 59	Cypress 59" – Gypsum	1,198
<b>STONE</b>		
CYP 59	Cypress 59" – Stone	1,916

# *El Dorado*

## Precast Fireplace Mantel

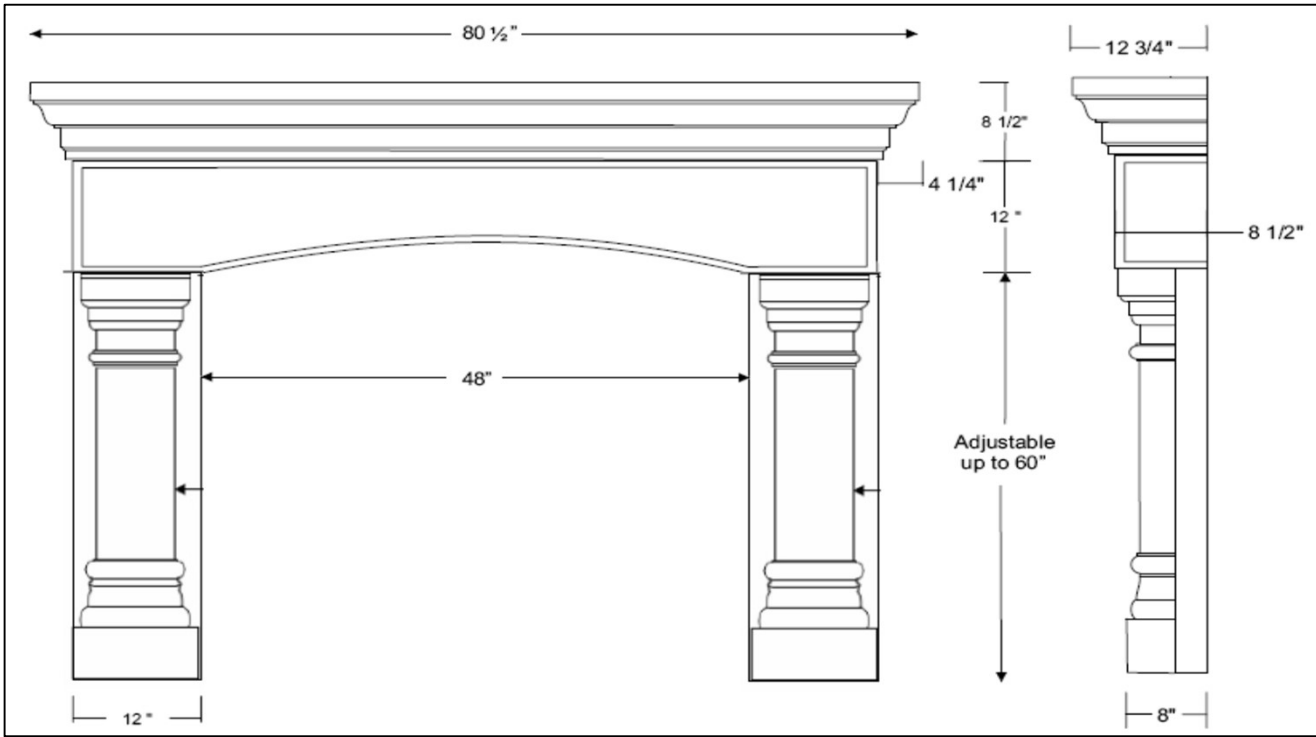


<b>3 Sided</b>	A	B	C	D	E	F	G	H	I	J	K	Min Hearth Size
El Dorado 64	38 1/4	to 48	64	to 64	12 3/4	8	8	8 1/2	66	20	2	N/A
El Dorado 72	46 1/8	to 48	72	to 64	12 3/4	8	8	8 1/2	71	20	2.25	N/A

<b>GYPSUM</b>		
ELD 64	El Dorado 64 – Gypsum	926
ELD 72	El Dorado 72 – Gypsum	979
<b>STONE</b>		
ELD 64	El Dorado 64 – Stone	1,482
ELD 72	El Dorado 72 – Stone	1,567

# Inverness

## Precast Fireplace Mantel



**GYPSUM**

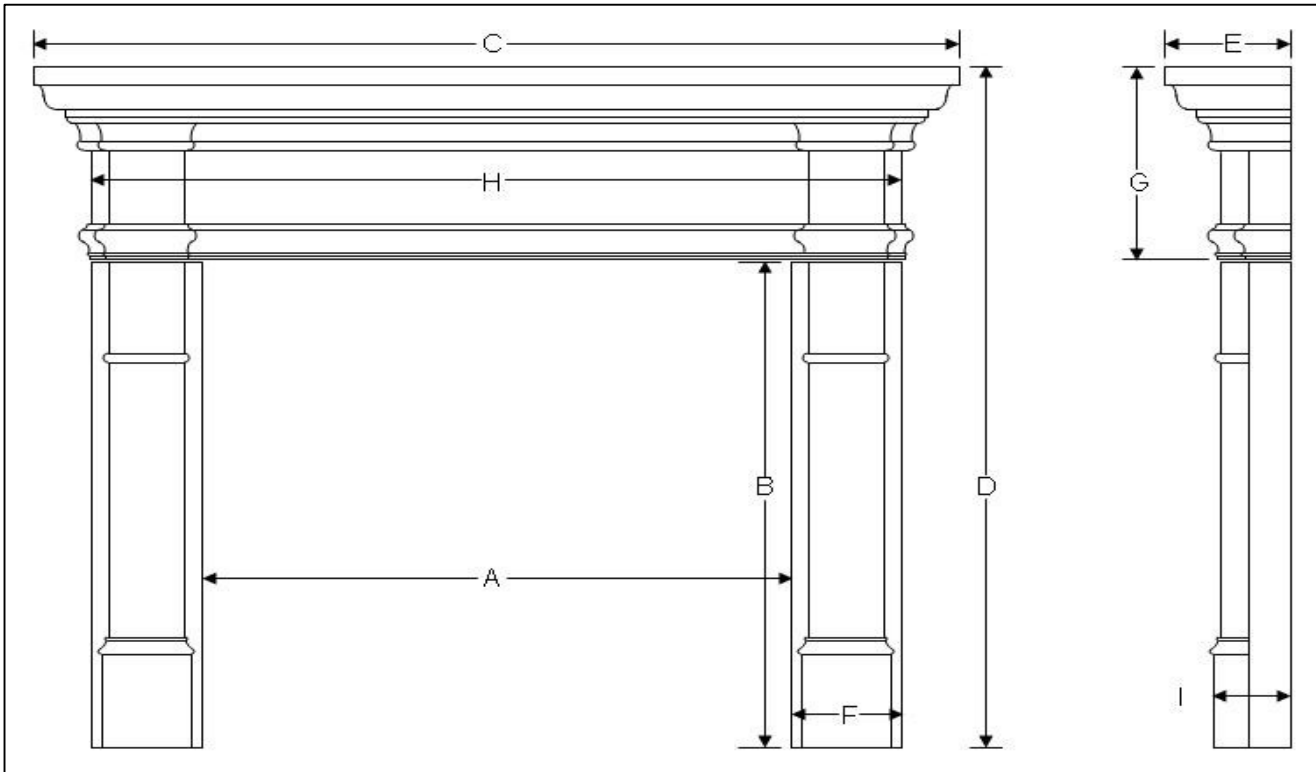
INV 80

Inverness Cap 80 1/2" – Gypsum

2,107

# Mendocino

## Precast Fireplace Mantel

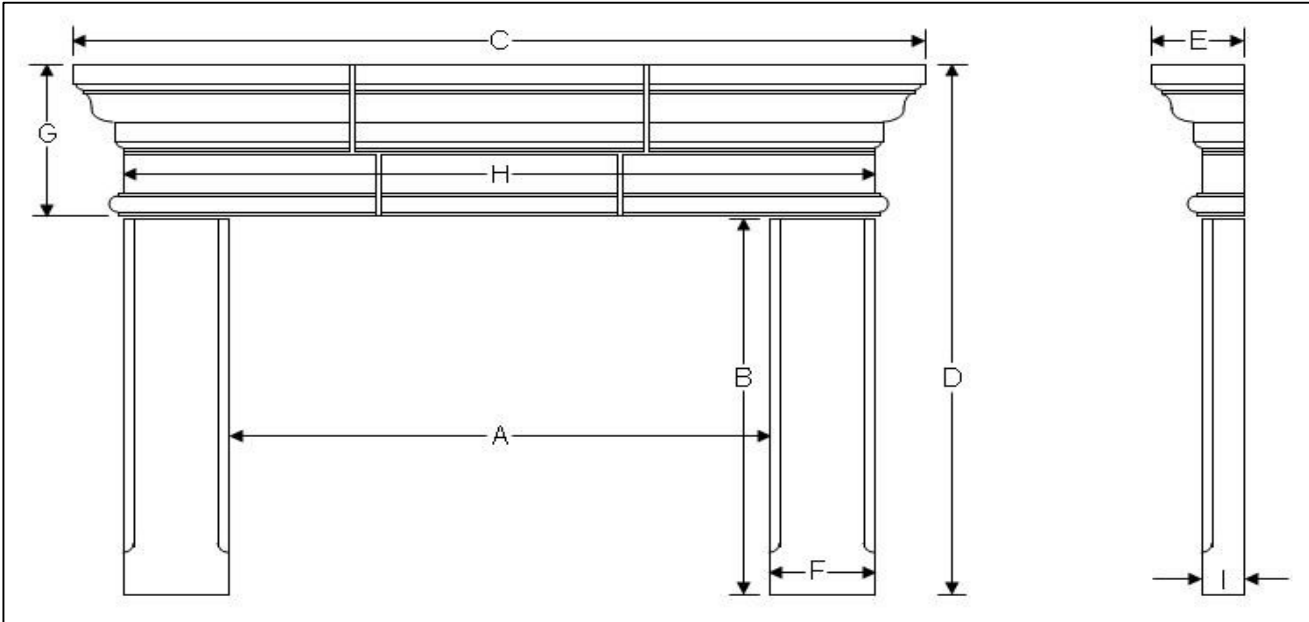


<b>Multi Piece</b>	A	B	C	D	E	F	G	H	I	J	K	Min Hearth Size
Mendocino 62.5	38	to 43	62.5	to 58	9	8	15	59 5/8	66	20	2	60
Mendocino 67.5	43	to 43	67.5	to 58	9	8	15	59 5/8	66	20	2	66

<b>GYPSUM</b>		
MEN 38	Mendocino 38" - Gypsum (100 LBS)	913
MEN 43	Mendocino 43" - Gypsum (115 LBS)	1,016
<b>STONE</b>		
MEN 38	Mendocino 38" - Stone (140 LBS)	1,461
MEN 43	Mendocino 43" - Stone (150 LBS)	1,626

# Mesa 60

## Precast Fireplace Mantel

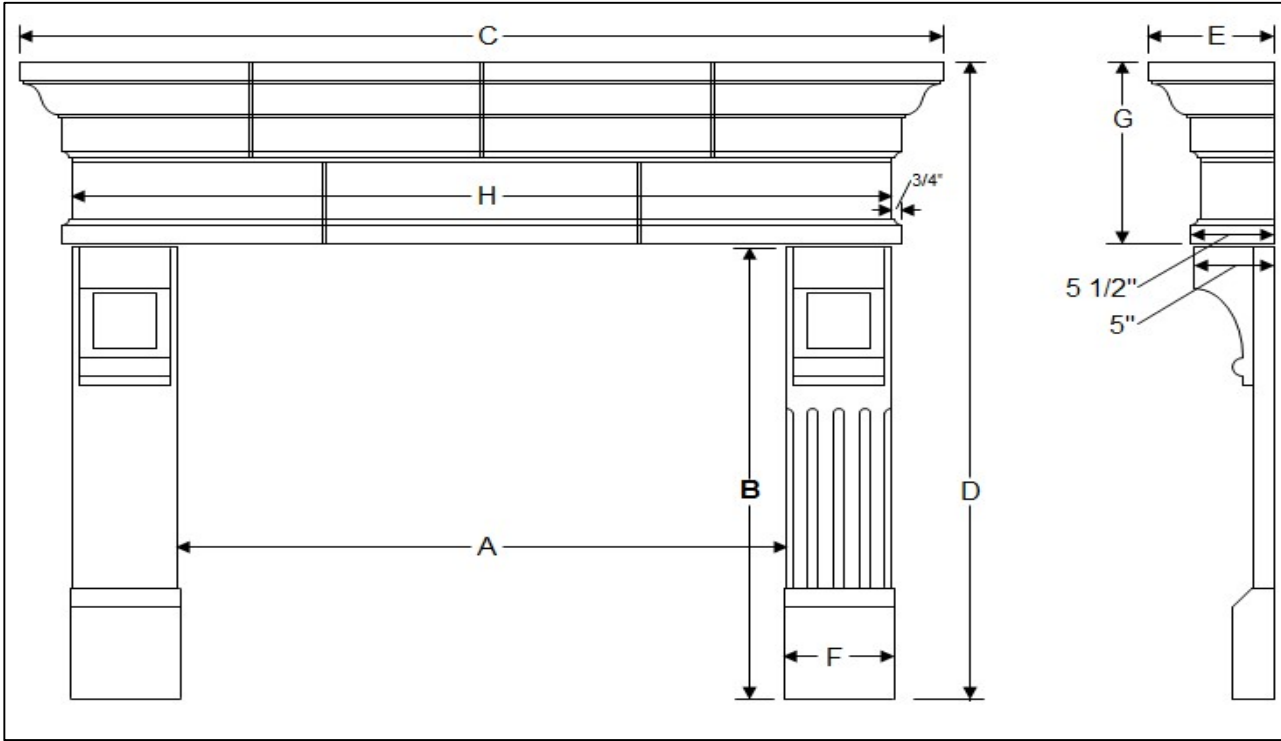


<i>Multi Piece</i>	A	B	C	D	E	F	G	H	I	J	K	Min. Hearth Size
MES 60 / 7" leg	40	to 48	60	to 60 1/2	6 1/2	7	12 1/2	54	3	N/A	N/A	60 x 18
MES 60 / 8" leg	38	to 48	60	to 60 1/2	6 1/2	8	12 1/2	54	3	N/A	N/A	60 x 18
MES 60 / 9" leg	36	to 48	60	to 60 1/2	6 1/2	9	12 1/2	54	3	N/A	N/A	60 x 18
MES 60 / 10" leg	34	to 48	60	to 60 1/2	6 1/2	10	12 1/2	54	3	N/A	N/A	60 x 18
MES 60 / 12" leg	30	to 48	60	to 60 1/2	6 1/2	12	12 1/2	54	3	N/A	N/A	60 x 18

<b>GYPSUM</b>		
MES 60 L7	Mesa 60" – 7" Legs - Gypsum	887
MES 60 L8	Mesa 60" – 8" Legs - Gypsum	887
MES 60 L9	Mesa 60" – 9" Legs - Gypsum	887
MES 60 L10	Mesa 60" – 10" Legs - Gypsum	887
MES 60 L12	Mesa 60" – 12" Legs - Gypsum	887
<b>STONE</b>		
MES 60 L7	Mesa 60" – 7" Legs - Stone	1,419
MES 60 L8	Mesa 60" – 8" Legs - Stone	1,419
MES 60 L9	Mesa 60" – 9" Legs - Stone	1,419
MES 60 L10	Mesa 60" – 10" Legs - Stone	1,419
MES 60 L12	Mesa 60" – 12" Legs - Stone	1,419

# Pinnacle 67

## Precast Fireplace Mantel

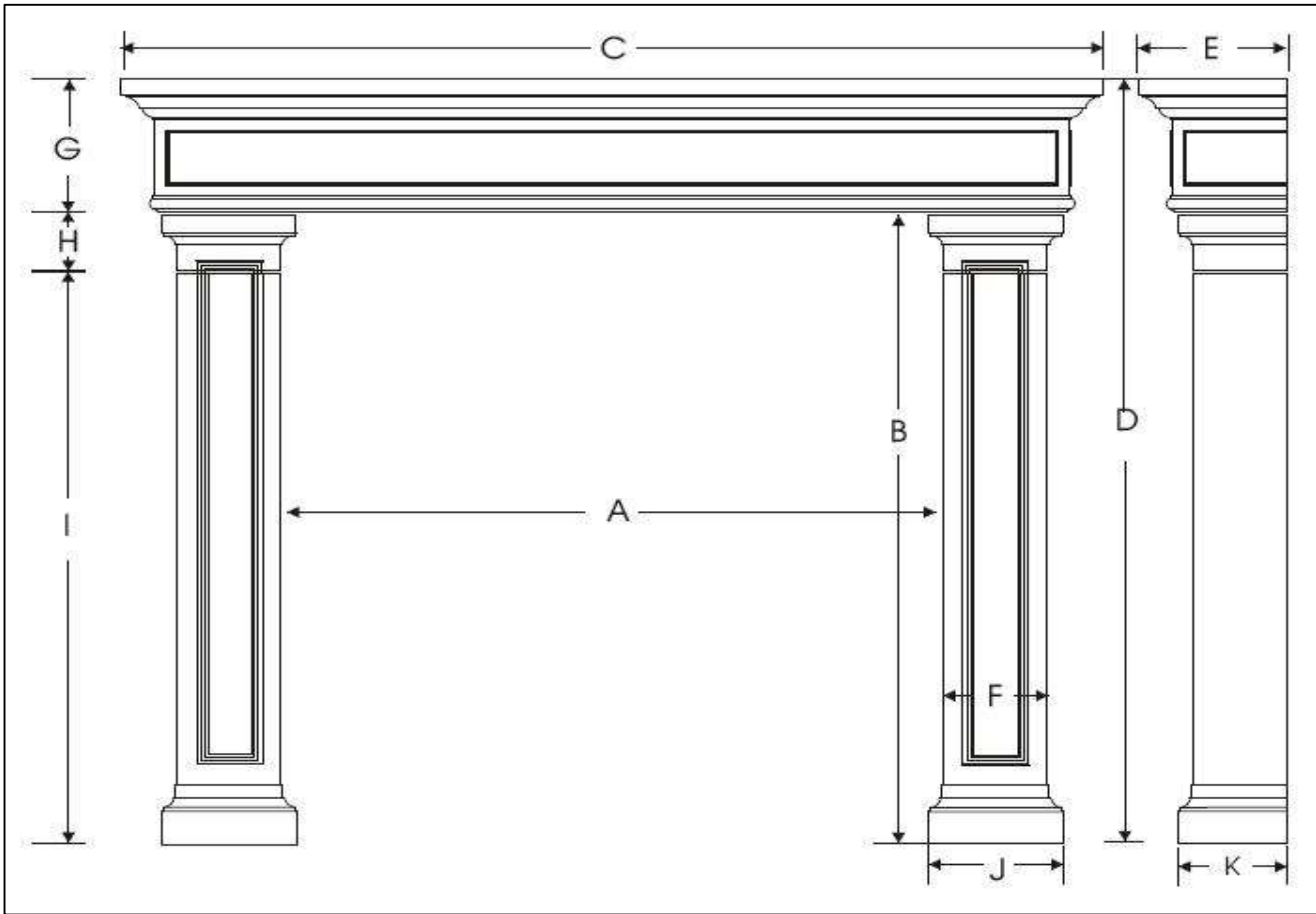


<b>Multi Piece</b>	A	B	C	D	E	F	G	H	I	J	K	Min Hearth Size
Pinnacle 67	44	to 57	67	to 72	8 1/2	8	15	60	3	N/A	N/A	66

<b>GYPSUM</b>		
PIN 67 LS	Pinnacle 67" Legs Smooth – Gypsum	914
PIN 67 LF	Pinnacle 67" Legs Fluted – Gypsum	914
<b>STONE</b>		
PIN 67 LS	Pinnacle 67" Legs Smooth – Stone	1,463
PIN 67 LF	Pinnacle 67" Legs Fluted – Stone	1,463

# Saratoga

## Precast Fireplace Mantel



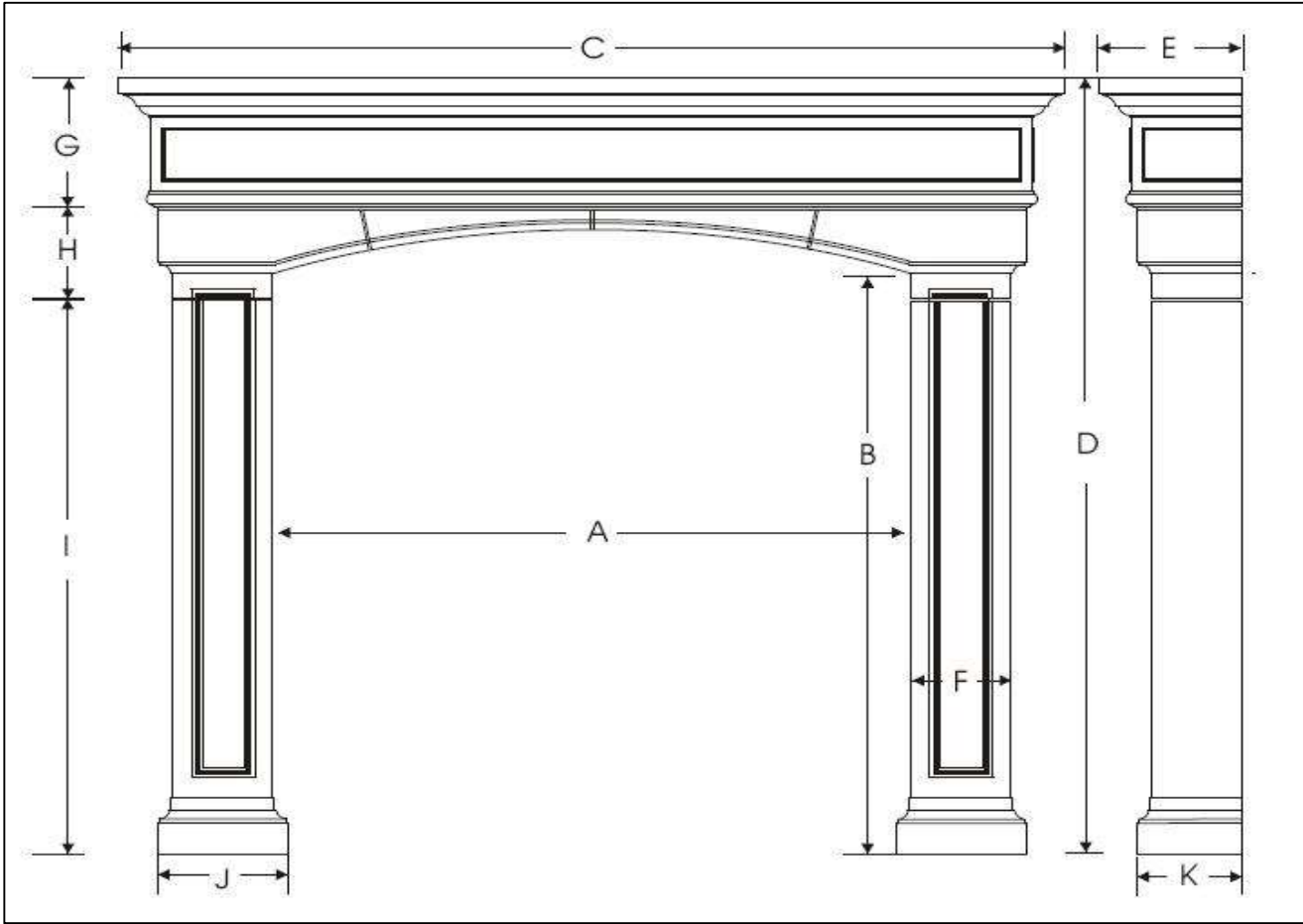
<b>Multi Piece</b>	A	B	C	D	E	F	G	H	I	J	K	Min Hearth Size
Saratoga	44 1/4	to 48 1/4	65 1/4	to 58.5	10	6 7/8	10 1/4	4 1/4	44	9	7 1/4	66

<b>GYPSUM</b>		
SAR 65	Saratoga 65" – Gypsum	997
<b>STONE</b>		
SAR 65	Saratoga 65" – Stone	1,596



# Saratoga w/Arch

## Precast Fireplace Mantel



<b>Multi Piece</b>	A	B	C	D	E	F	G	H	I	J	K	Min Hearth Size
Saratoga Arch	44 1/4	to 51	65 1/4	to 61 1/4	10	6 7/8	10 1/4	4 1/4	44	9	7 1/4	66

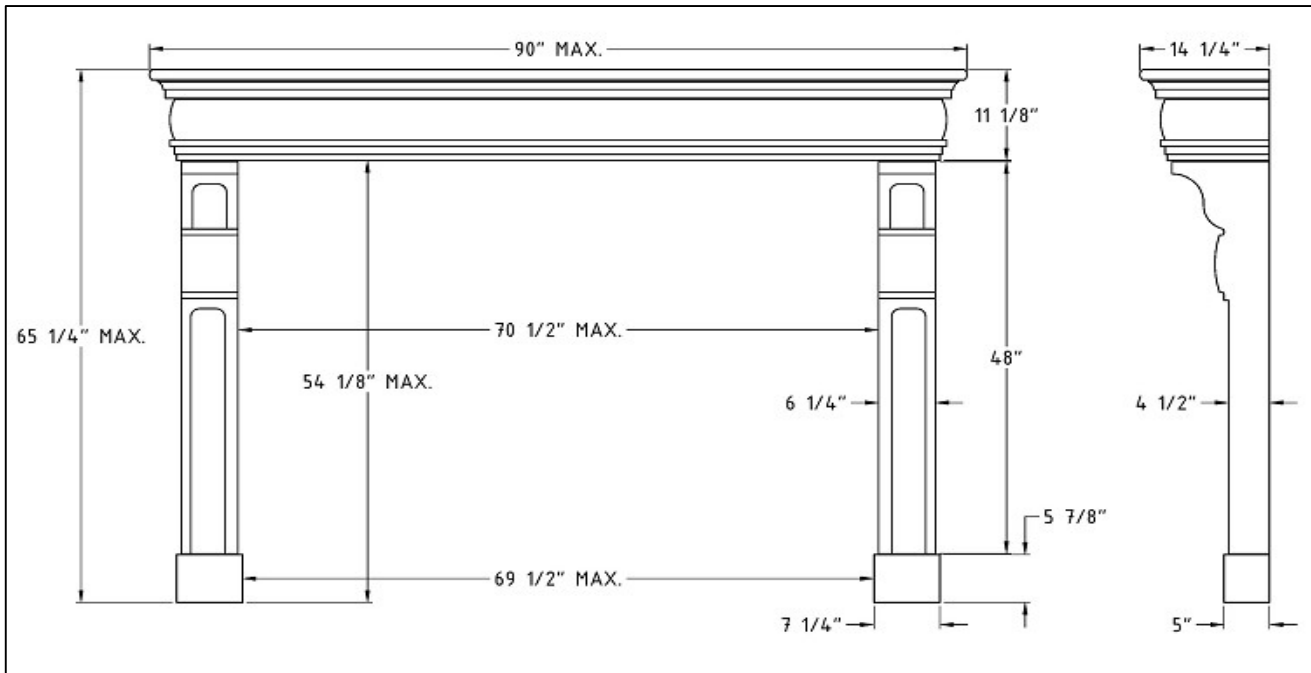
<b>GYPSUM</b>		
SAR 65 ARCH	Saratoga 65" w/Arch- Gypsum	1,102
<b>STONE</b>		
SAR 65 ARCH	Saratoga 65" w/Arch -Stone	1,763

**HEARTHCO INC.**  
MANUFACTURERS OF PRECAST & WOOD PRODUCTS

Precast  
Custom  
Mantels  
Traditional

# *Bel Air*

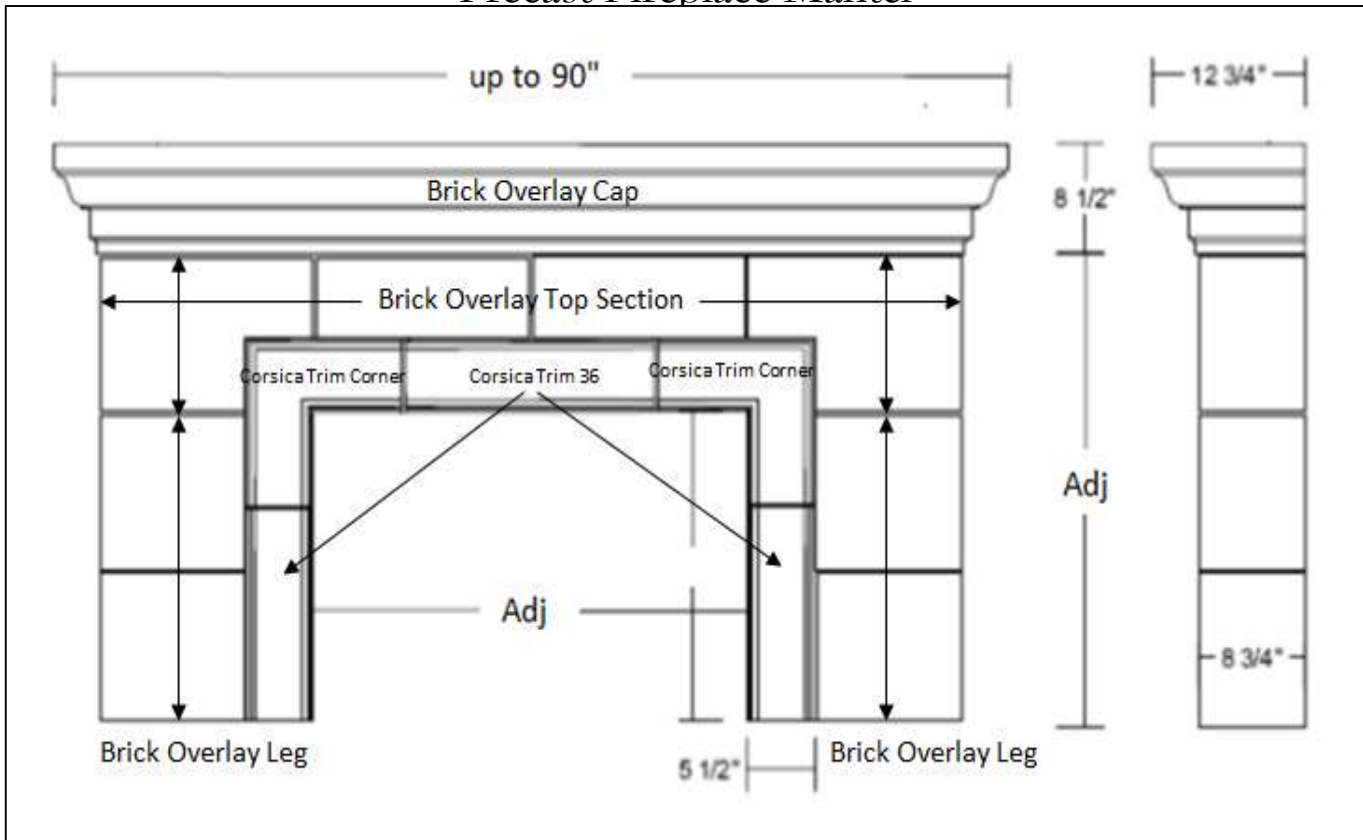
## Precast Fireplace Mantel



<b>GYPSUM</b>		
Bel Air	Bel Air - Gypsum	2,424
<b>STONE</b>		
Bel Air	Bel Air - Stone	3,878

# Brick Overlay

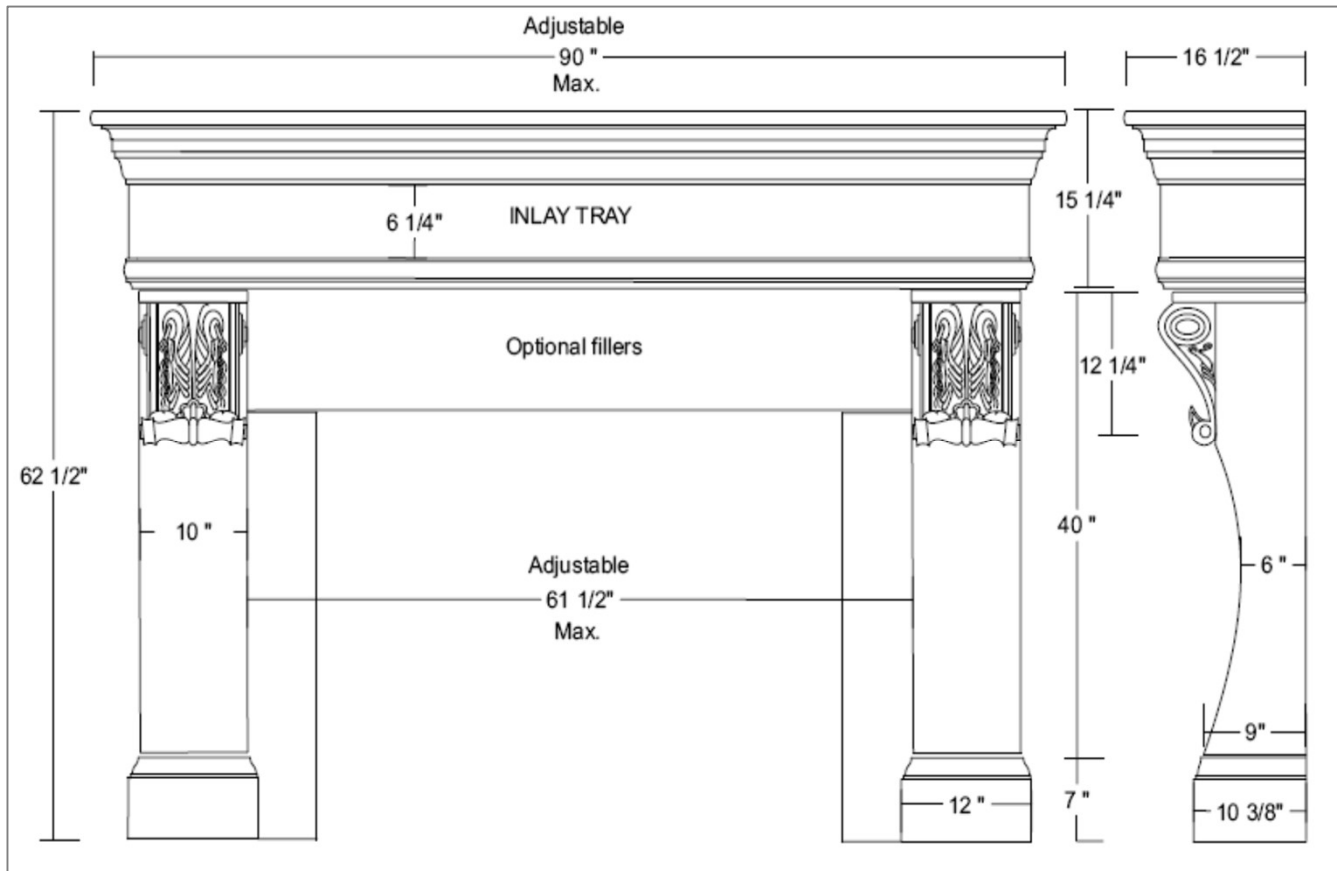
## Precast Fireplace Mantel



GYPSUM		
Brick Overlay	Brick Overlay -Gypsum	1,637
STONE		
Brick Overlay	Brick Overlay -Stone	2,619

# Castella

## Precast Fireplace Mantel

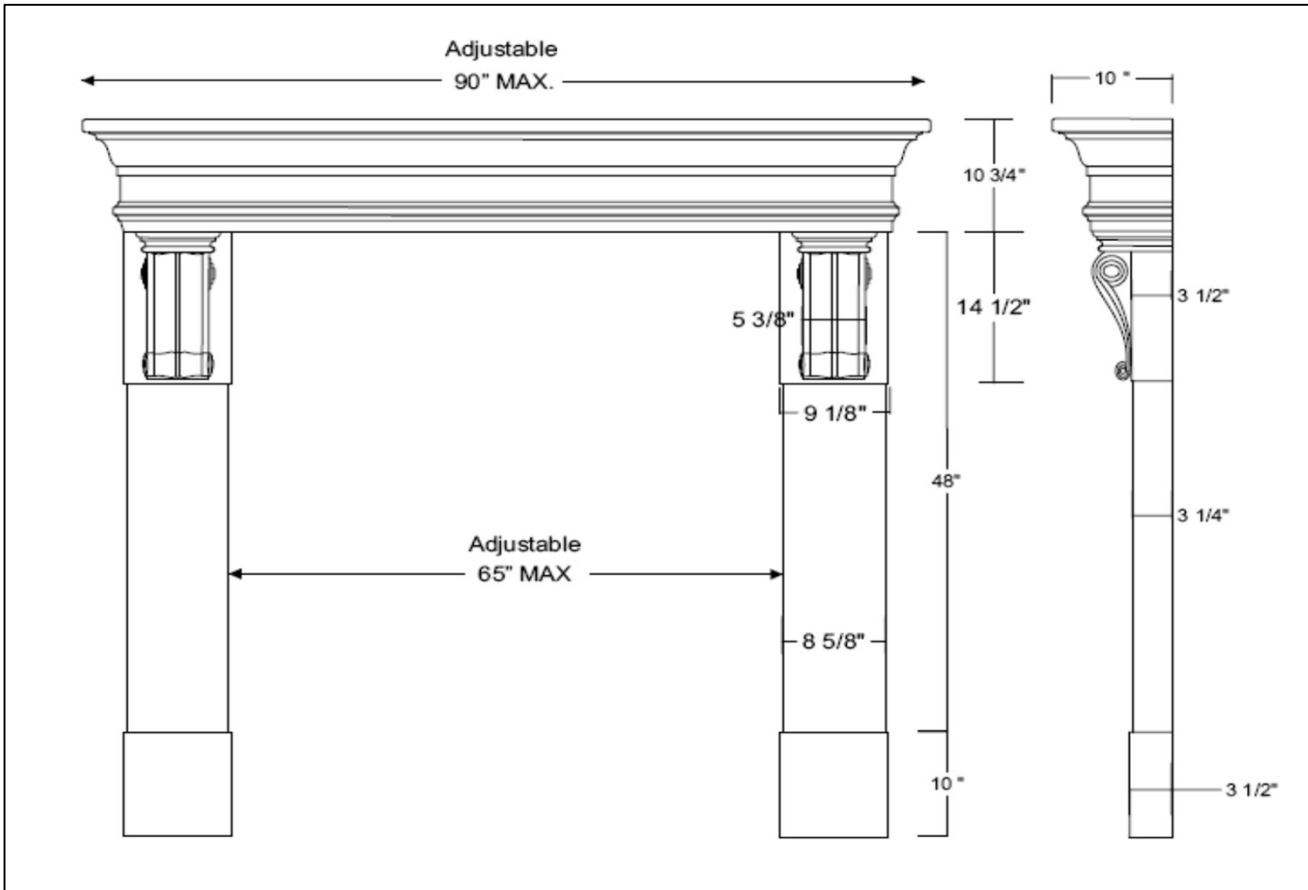


GYPSUM		
Castella	Castella Custom length -Gypsum	2,816
STONE		
Castella	Castella Custom length - Stone	4,506

**NOTE:** WE HAVE INCLUDED A DOLLAR AMOUNT FOR THE INLAYS FOR QUOTING PURPOSES ONLY YOU MUST ORDER THE SPECIFIC INLAY YOUR CUSTOMER WANTS.

# Covina

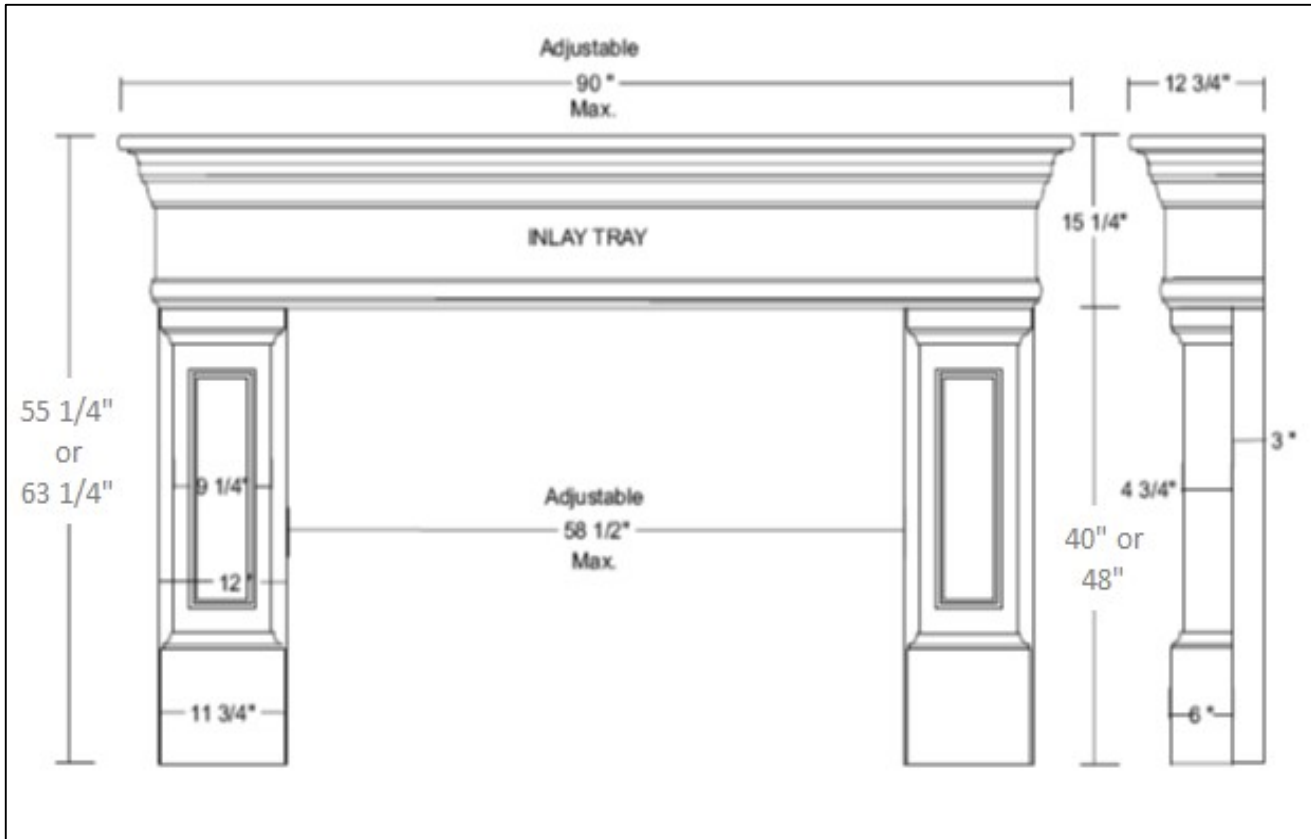
## Precast Fireplace Mantel



GYPSUM		
Covina	Covina Custom Length to 90" – Gypsum	1,086
STONE		
Covina	Covina Custom Length to 90" – Stone	1,738

# Del Norte

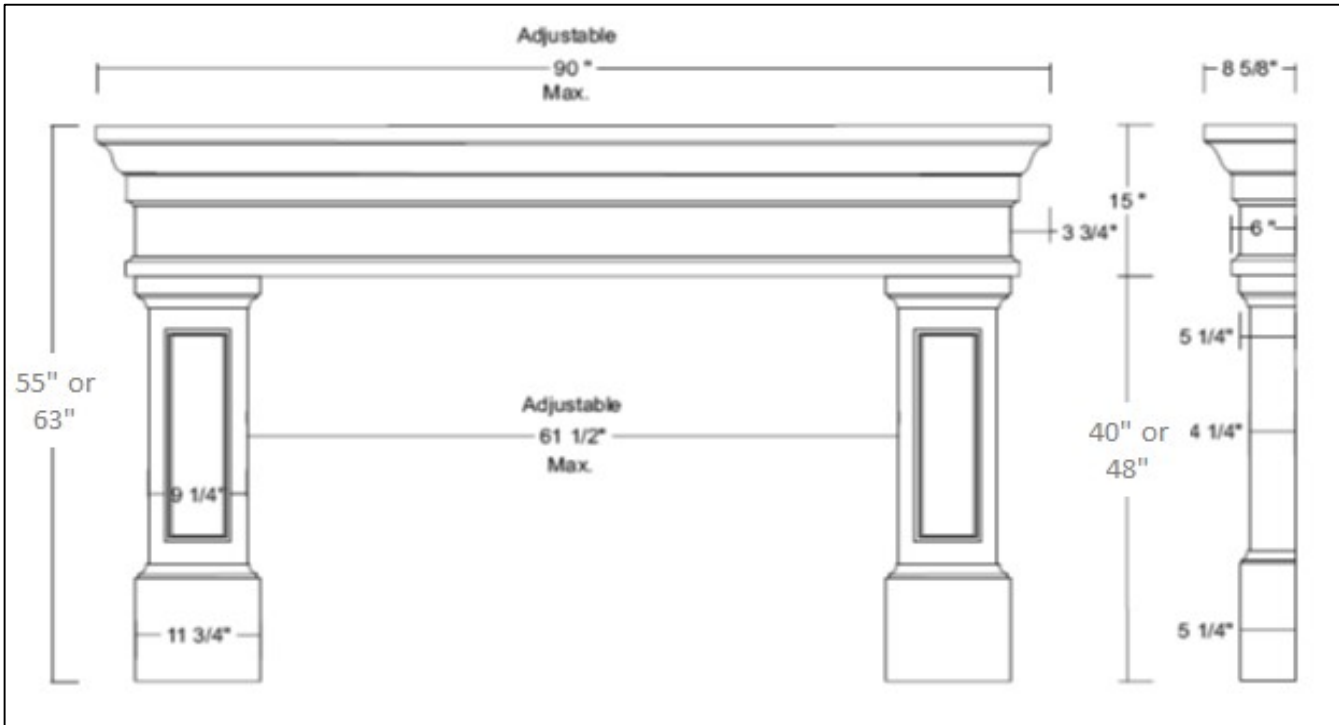
## Precast Fireplace Mantel



GYPSUM		
Del Norte	Del Norte Custom Length up to 90" – Gypsum	2,500
STONE		
Del Norte	Del Norte Custom Length up to 90" – Stone	3,999

# *Del Rey*

## Precast Fireplace Mantel

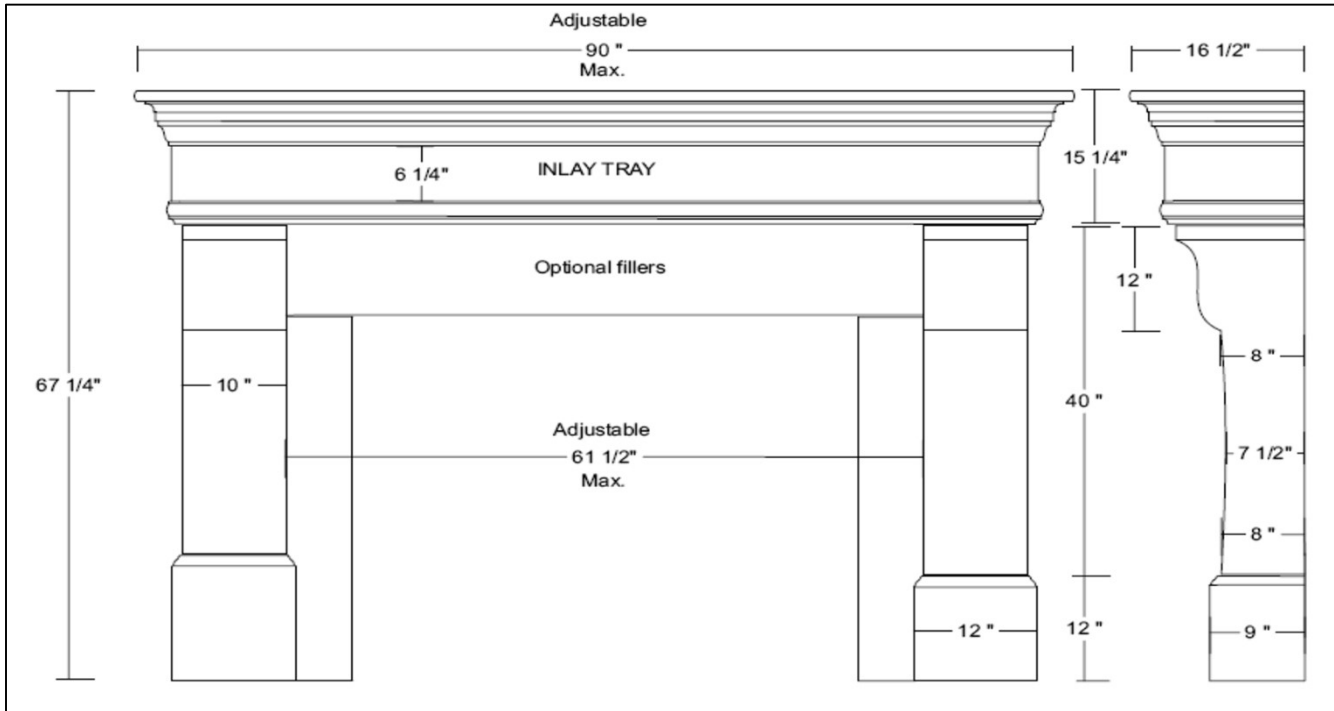


<b>GYPSUM</b>		
Del Rey	Del Rey Custom Length to 90" – Gypsum	1,084
<b>STONE</b>		
Del Rey	Del Rey Custom Length to 90" – Stone	1,734



# Goleta

## Precast Fireplace Mantel

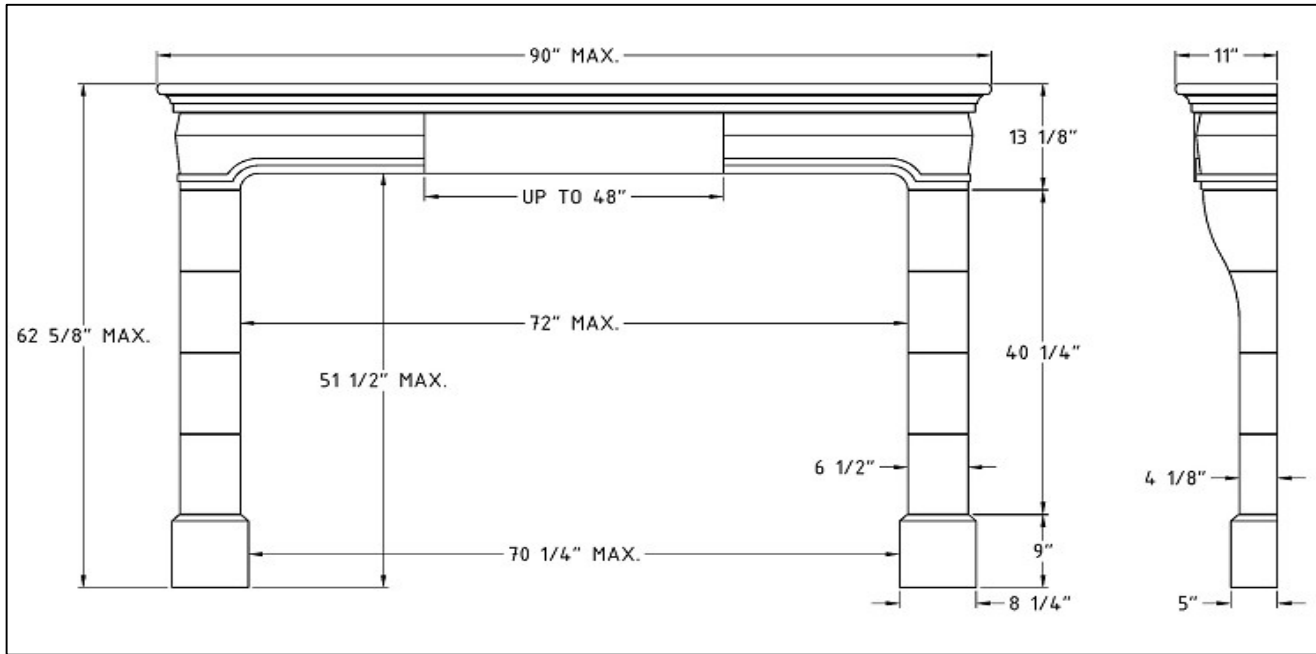


<b>GYPSUM</b>		
Goleta	Goleta Custom Length up to 90" – Gypsum	2,816
<b>STONE</b>		
Goleta	Goleta Custom Length up to 90" – Stone	4,506

**NOTE:** WE HAVE INCLUDED A DOLLAR AMOUNT FOR THE INLAYS FOR QUOTING PURPOSES ONLY YOU MUST ORDER THE SPECIFIC INLAY YOUR CUSTOMER WANTS.

# Hollywood

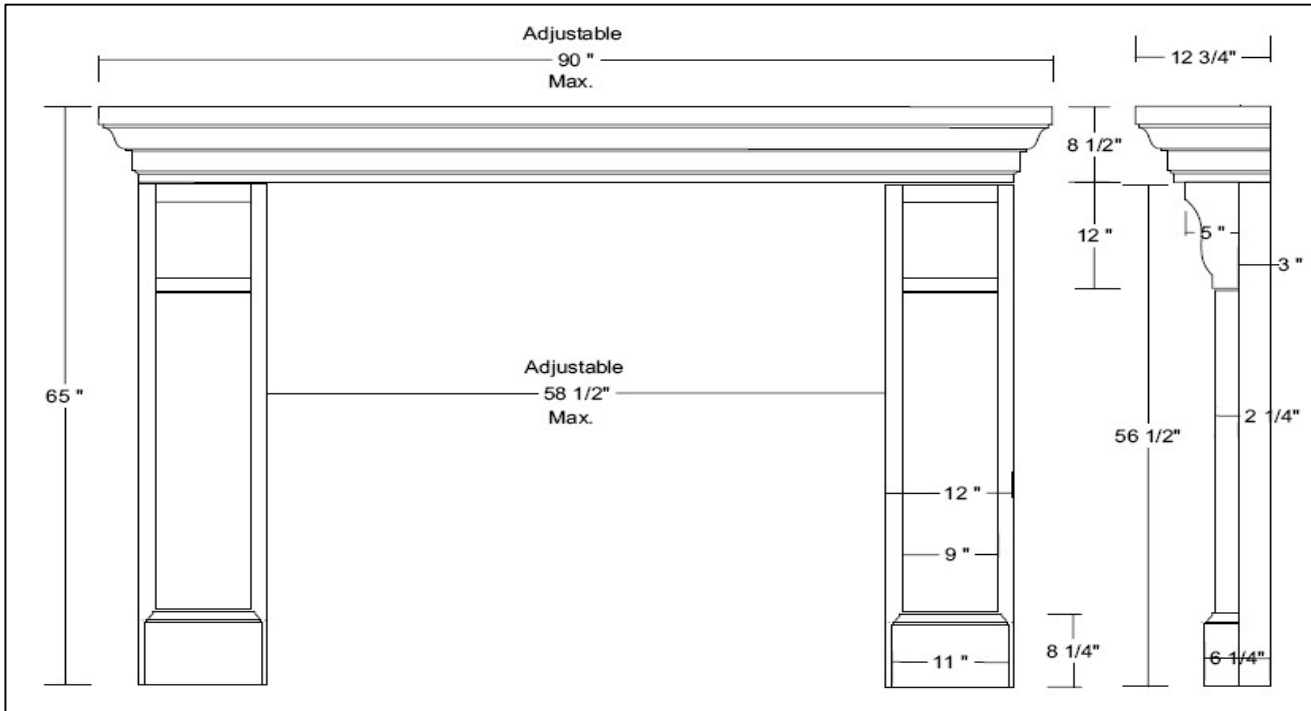
## Precast Fireplace Mantel



<b>GYPSUM</b>		
Hollywood	Hollywood up to 90" – Gypsum	2,755
<b>STONE</b>		
Hollywood	Hollywood up to 90" -Stone	4,408

# Laguna

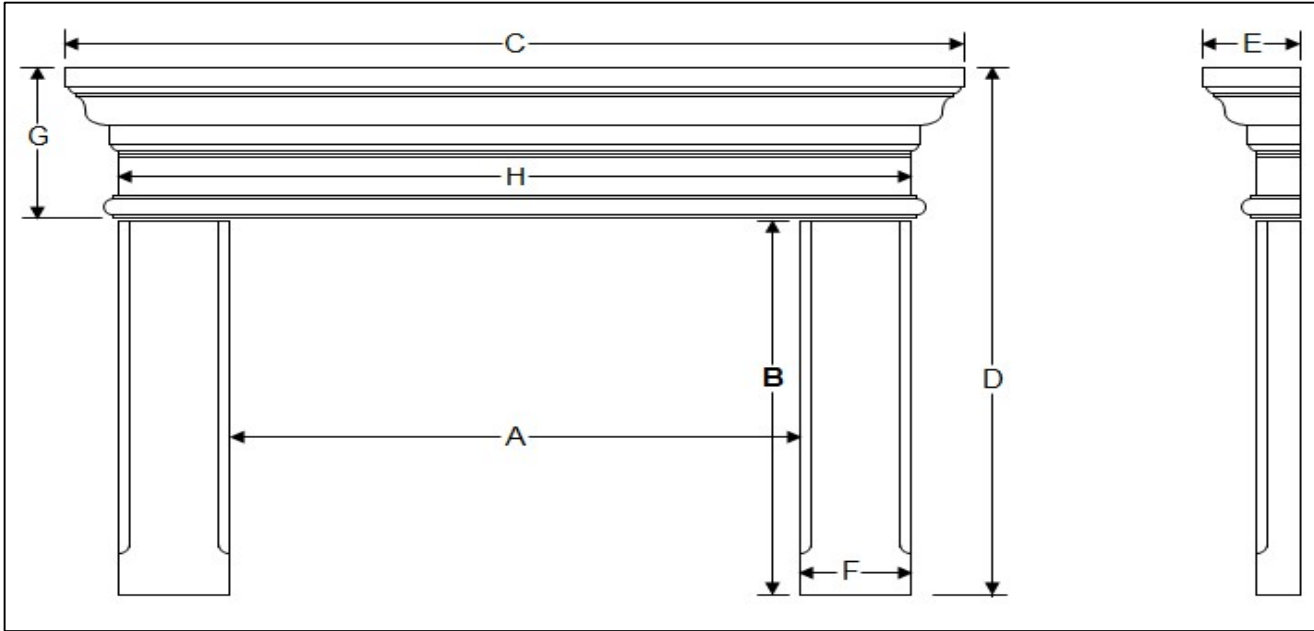
## Precast Fireplace Mantel



<b>GYPSUM</b>		
Laguna	Laguna Custom Length up to 90" – Gypsum	1,085
<b>STONE</b>		
Laguna	Laguna Custom Length up to 90" -Stone	1,736

# Mesa Custom Length

## Precast Fireplace Mantel

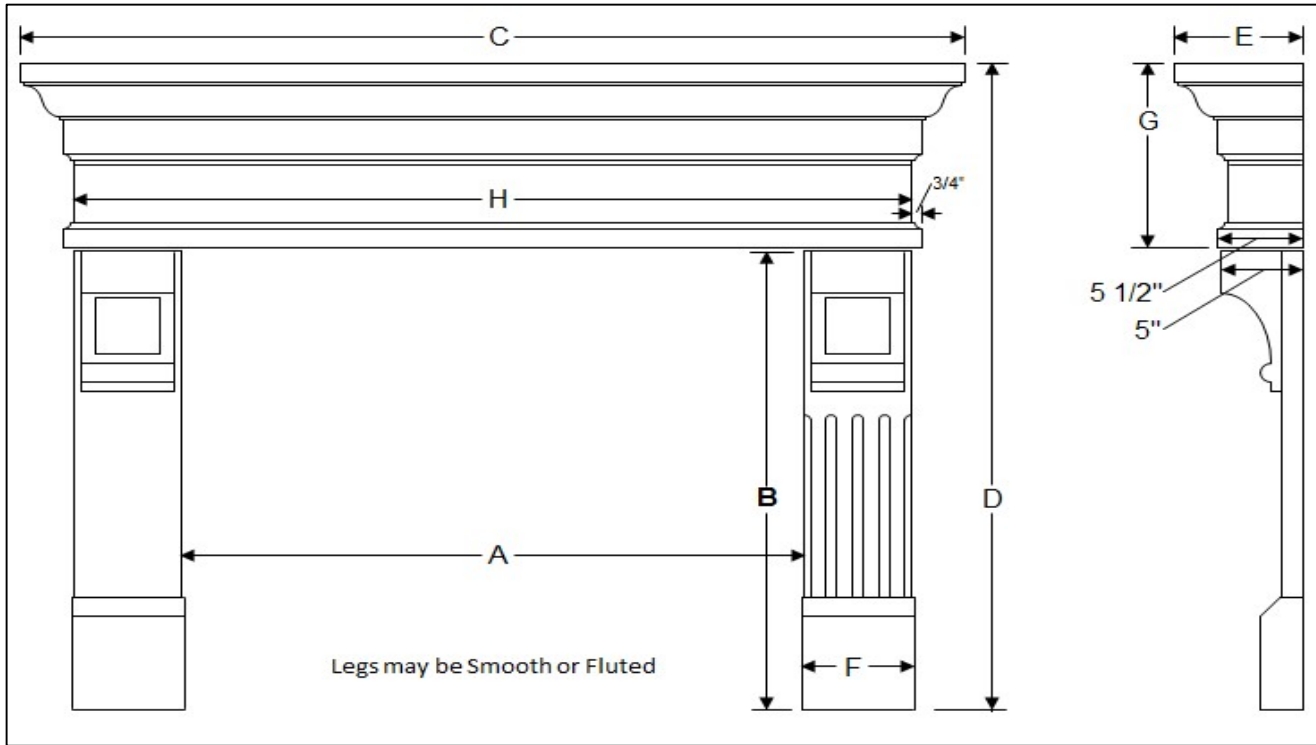


Multi Piece	A	B	C	D	E	F	G	U	I	J	K	Min Hearth Size
MES A90 PG	to 66"	to 48	to 90"	to 63	OPT	8	15	80	3"	N/A	N/A	Option
MES A90 TS	to 66"	to 48	to 90"	to 63	OPT	9	15	80	3"	N/A	N/A	Option

GYPSUM		
MESA L07	Mesa Custom Length – 7 Legs - Gypsum	1,085
MESA L08	Mesa Custom Length – 8 Legs - Gypsum	1,085
MESA L09	Mesa Custom Length – 9 Legs - Gypsum	1,085
MESA L10	Mesa Custom Length – 10 Legs - Gypsum	1,085
MESA L12	Mesa Custom Length – 12 Legs - Gypsum	1,085
STONE		
MESA L07	Mesa Custom Length – 7 Legs - Stone	1,736
MESA L08	Mesa Custom Length – 8 Legs - Stone	1,736
MESA L09	Mesa Custom Length – 9 Legs - Stone	1,736
MESA L10	Mesa Custom Length – 10 Legs - Stone	1,736
MESA L12	Mesa Custom Length – 12 Legs - Stone	1,736

# Pinnacle Custom Length

## Precast Fireplace Mantel



Legs may be Smooth or Fluted

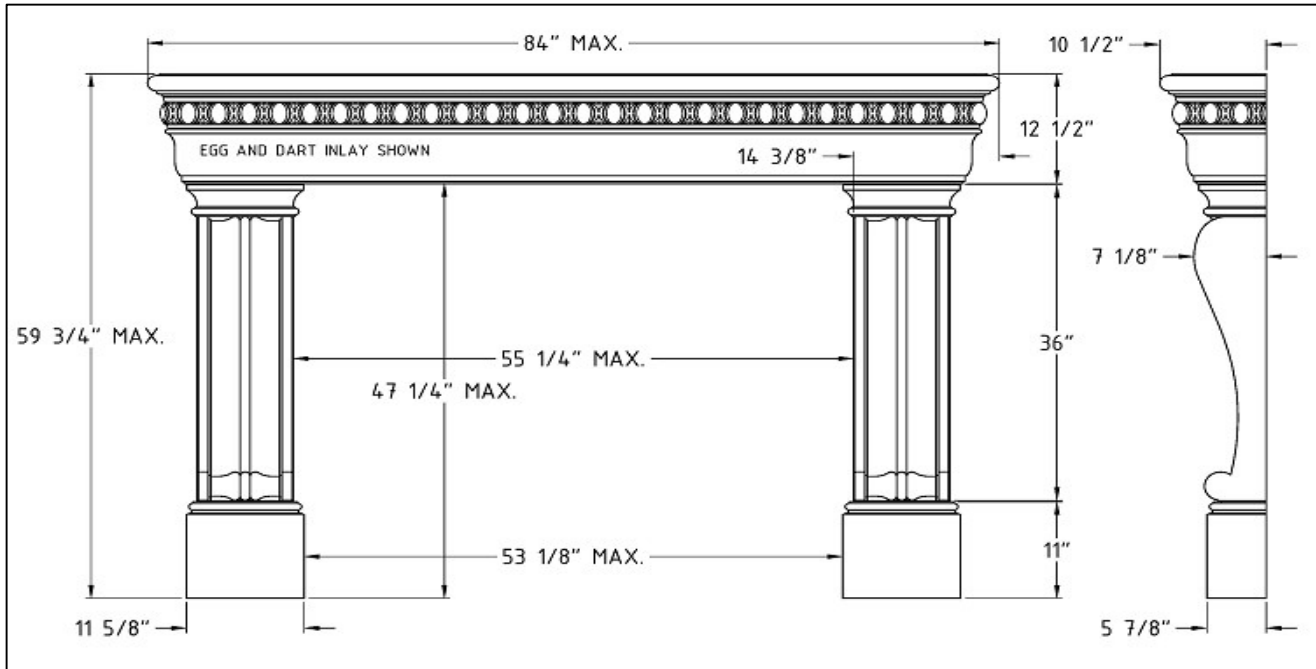
<b>Multi Piece</b>	A	B	C	D	E	F	G	H	I	J	K	Min Hearth Size
Pinnacle Adj	to 67	to 57	to 90	to 72	8 1/2	8	15	60	3	N/A	N/A	Adjustable

Please remember to specify smooth (left side) or fluted (right side) legs

<b>GYPSUM</b>		
Pinnacle LS	Pinnacle Custom Length Legs Smooth – Gypsum	1,086
Pinnacle LF	Pinnacle Custom Length Legs Fluted – Gypsum	1,086
Pinnacle LM	Pinnacle Custom Length Legs Mesa Style – Gypsum	1,086
<b>STONE</b>		
Pinnacle LS	Pinnacle Custom Length Legs Smooth – Stone	1,738
Pinnacle LF	Pinnacle Custom Length Legs Fluted – Stone	1,738
Pinnacle LM	Pinnacle Custom Length Legs Mesa Style – Stone	1,738

# San Carlos

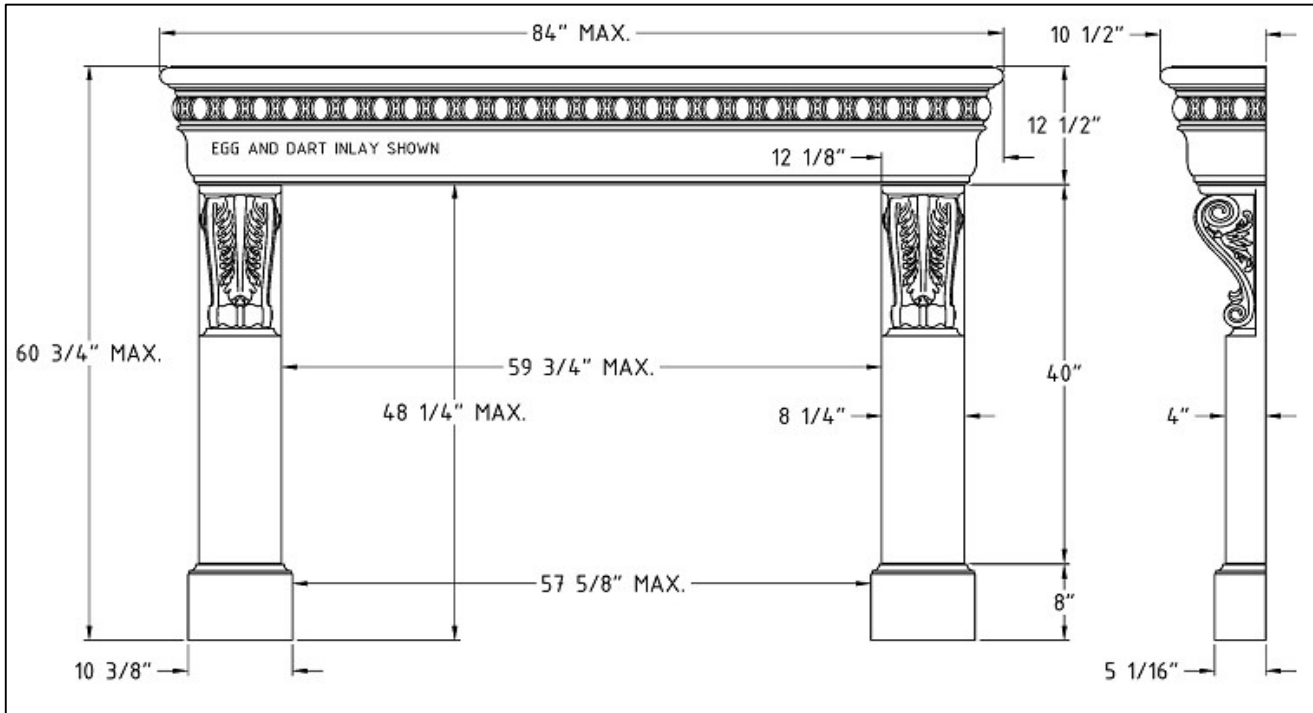
## Precast Fireplace Mantel



<b>GYPSUM</b>		
San Carlos	San Carlos Custom Length up to 90" – Gypsum	1,710
<b>STONE</b>		
San Carlos	San Carlos Custom Length up to 90" – Stone	2,736

# Santa Clarita

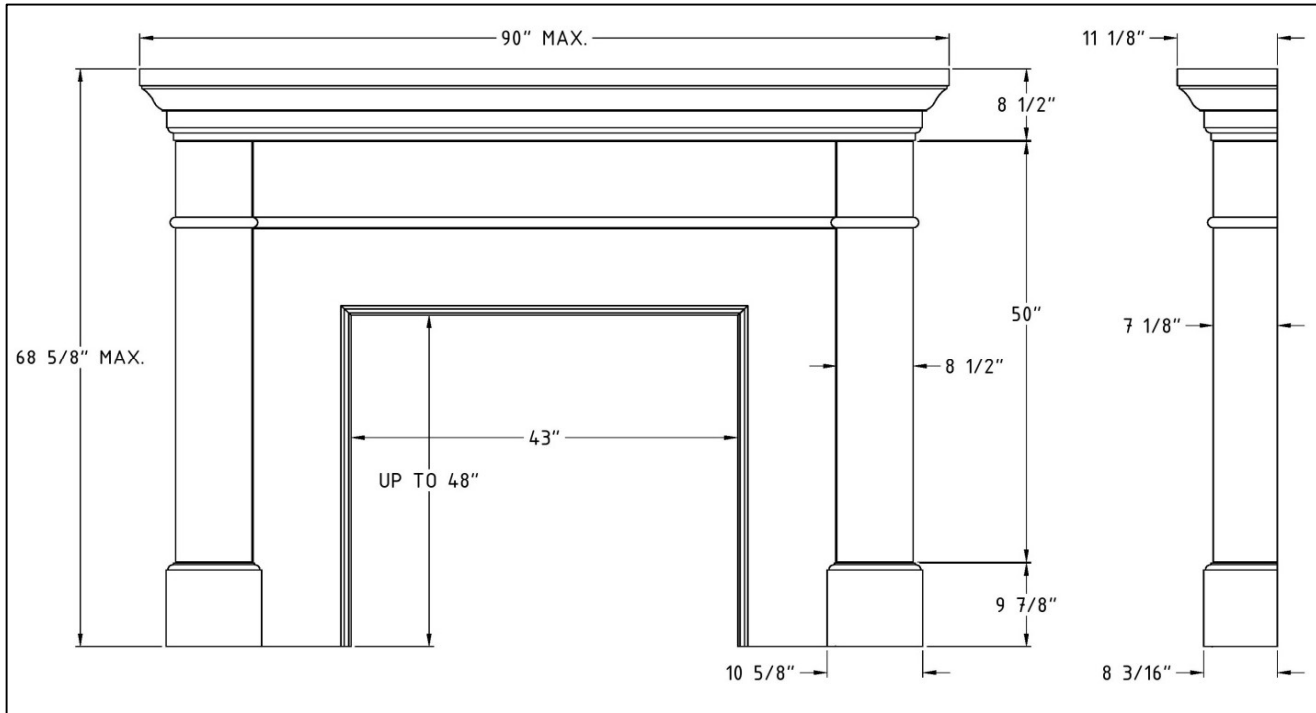
## Precast Fireplace Mantel



<b>GYPSUM</b>		
Santa Clarita	Santa Clarita Custom Length up to 90" – Gypsum	1,710
<b>STONE</b>		
Santa Clarita	Santa Clarita Custom Length up to 90" – Stone	2,736

# Serranto

## Precast Fireplace Mantel



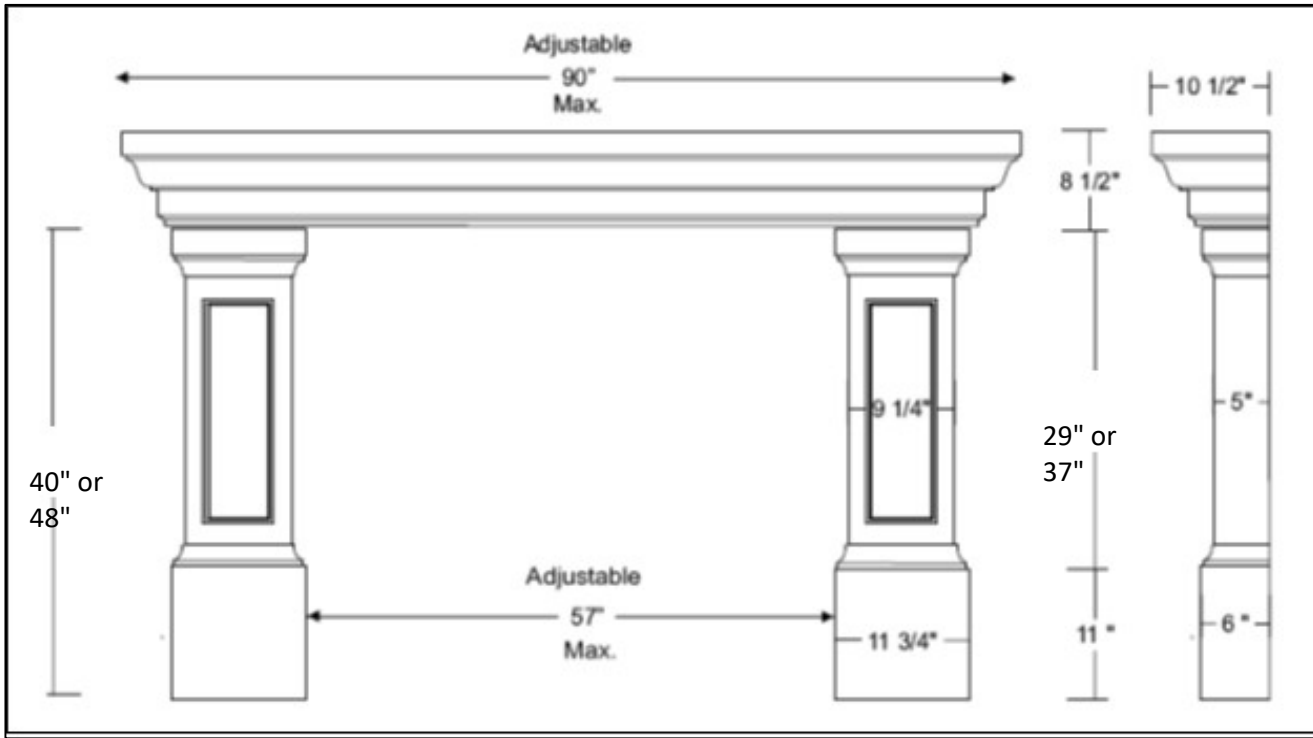
Note interior will not fit on Cap lengths less then 76"

<b>GYPSUM</b>		
Serranto	Serranto Custom Length 76" to 90" Long – Gypsum	1,348
SER NO INSIDE	Serranto Custom Length NO INTERIOR – Gypsum	1,004
<b>STONE</b>		
Serranto	Serranto Custom Length 76" to 90" Long – Stone	2,156
SER NO INSIDE	Serranto Custom Length NO INTERIOR – Stone	1,607



# Stanton

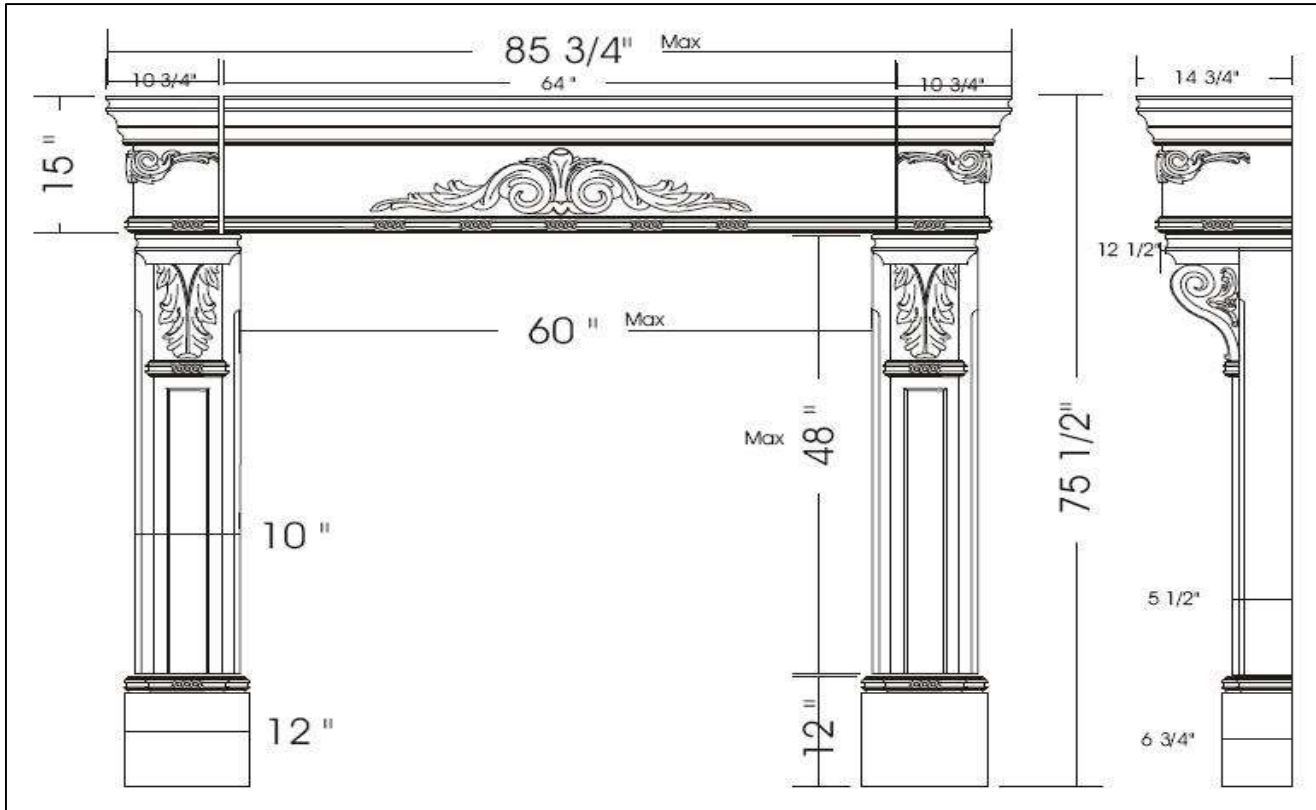
## Precast Fireplace Mantel



<b>GYPSUM</b>		
Stanton 40L	Stanton Custom Length up to 90" 40" Legs – Gypsum	1,085
Stanton 48L	Stanton Custom Length up to 90" 48" Legs – Gypsum	1,085
<b>STONE</b>		
Stanton 40L	Stanton Custom Length up to 90" 40" Legs – Stone	1,736
Stanton 48L	Stanton Custom Length up to 90" 48" Legs – Stone	1,736

# Summit

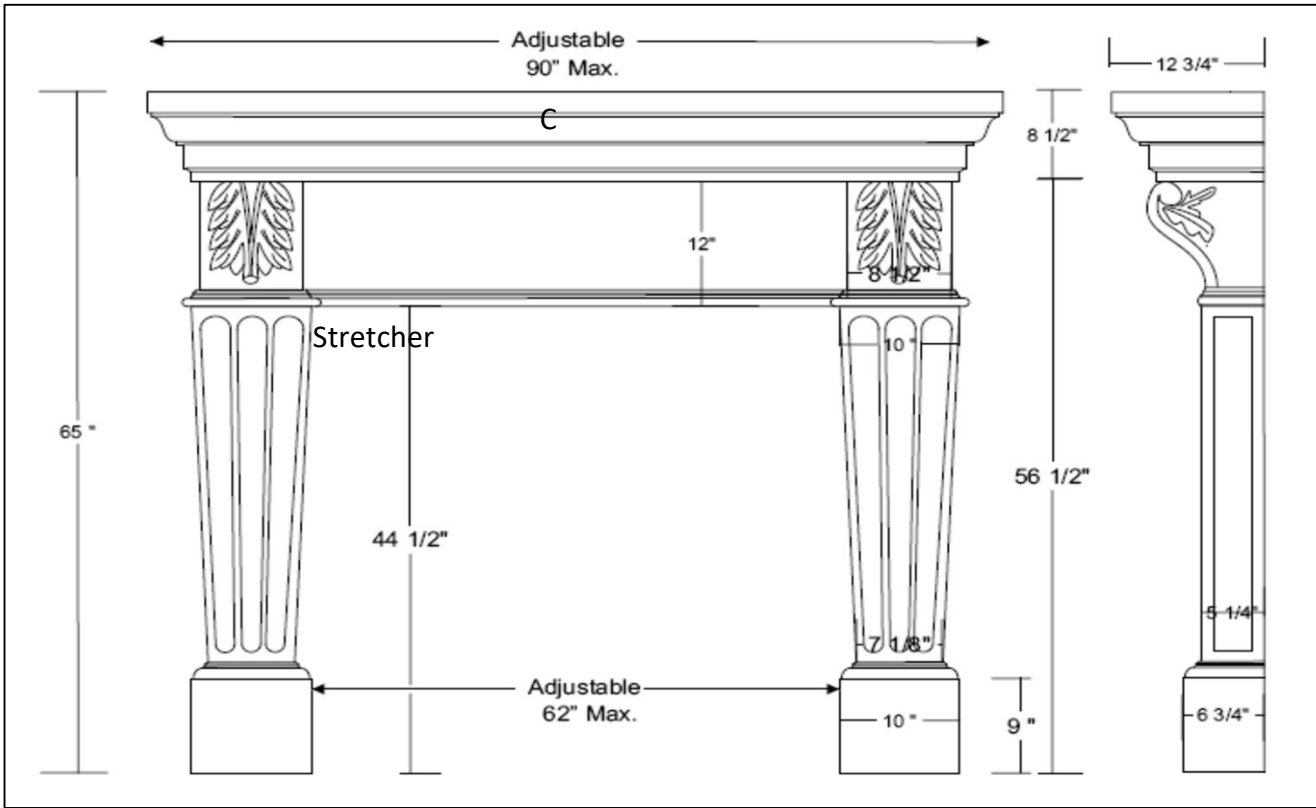
## Precast Fireplace Mantel



<b>GYPSUM</b>		
Summit	Summit 76-85 3/4" -Gypsum	2,603
<b>STONE</b>		
Summit	Summit 76-85 3/4" -Stone	4,164

# Terra Bella

## Precast Fireplace Mantel



A

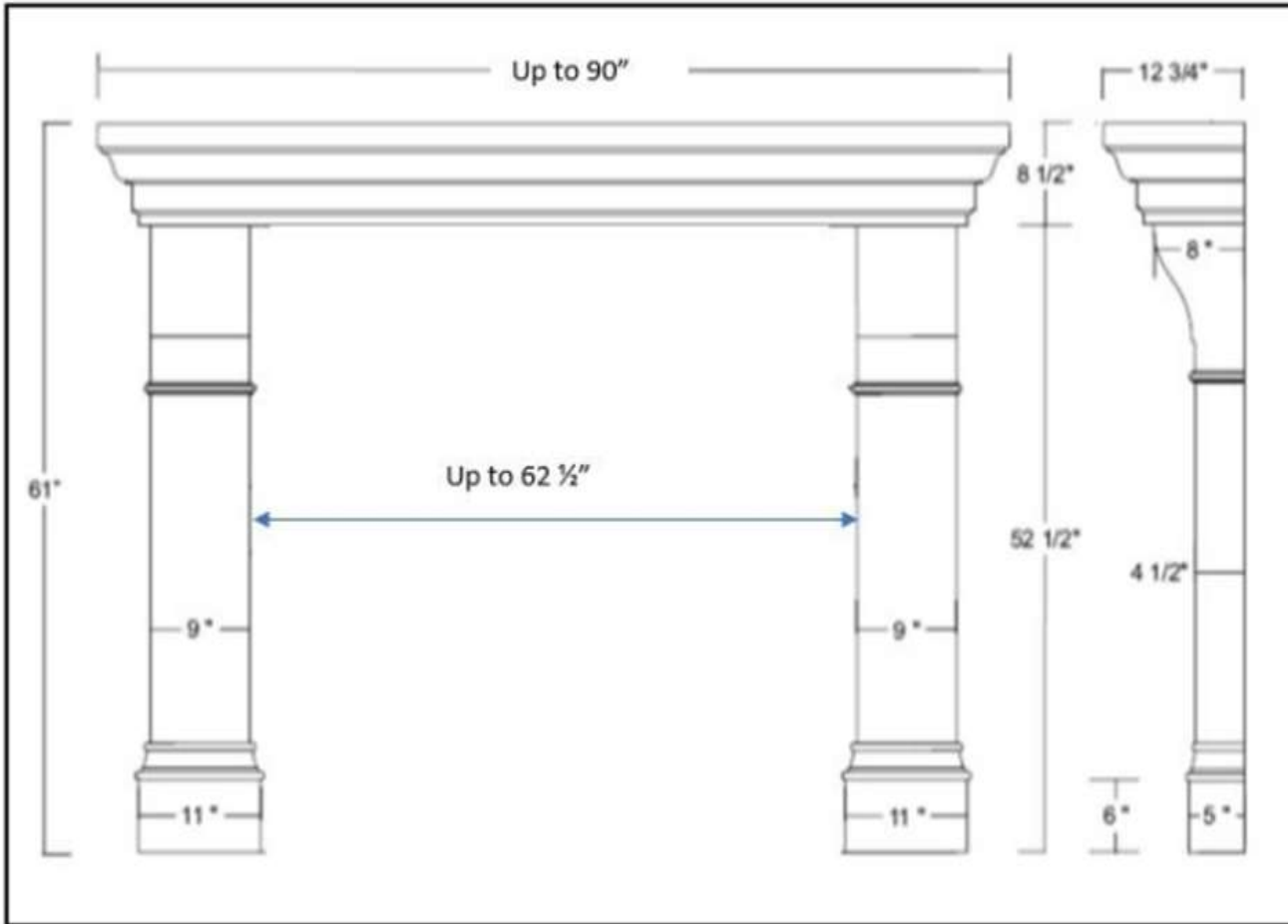
NOTE: To calculate the length of the cap, add 28 1/8" to the A dimension.

NOTE: To calculate the length of the stretcher, subtract 25" from the C dimension.

GYPSUM		
Terra Bella	Terra Bella Custom Length up to 90" Long – Gypsum	1,205
STONE		
Terra Bella	Terra Bella Custom Length up to 90" Long – Stone	1,928

# Torrance

## Precast Fireplace Mantel



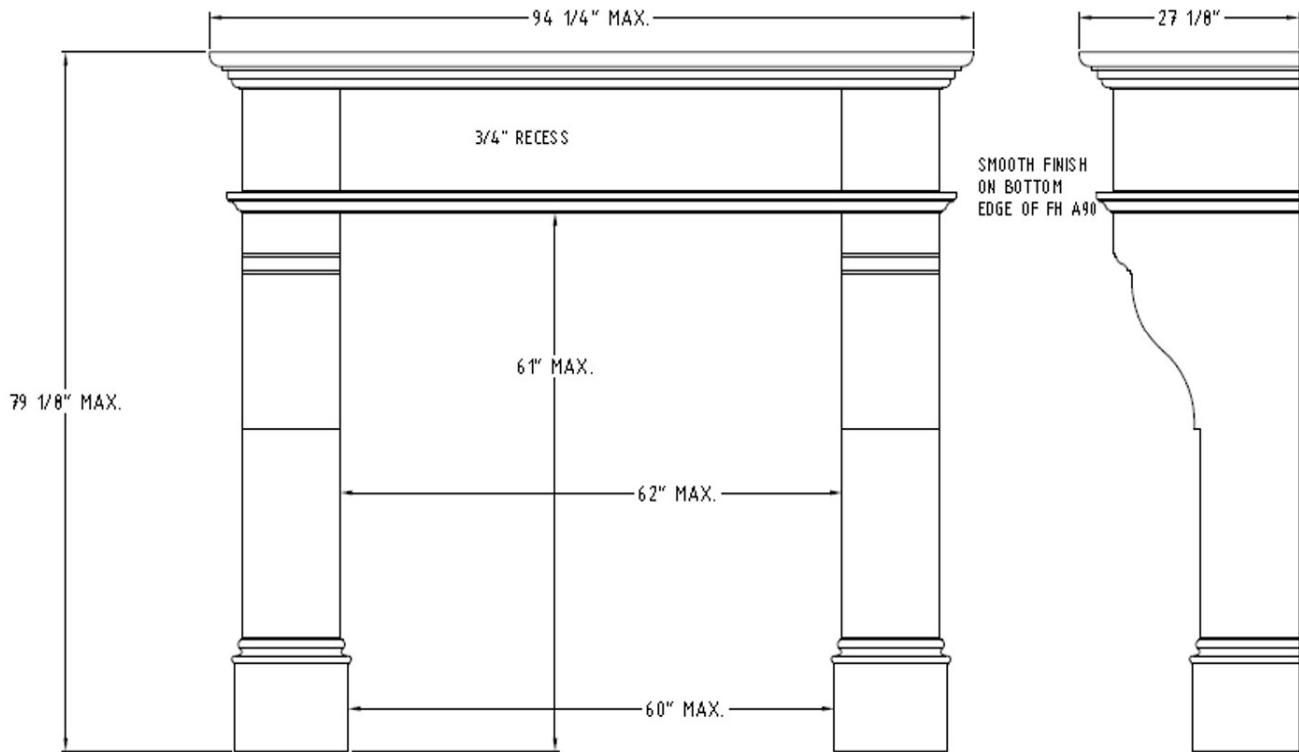
GYPSUM		
Torrance	Torrance Custom Length up to 90" Long – Gypsum	1,150
STONE		
Torrance	Torrance Custom Length up to 90" Long – Stone	1,839

**HEARTHCO INC.**  
MANUFACTURERS OF PRECAST & WOOD PRODUCTS

Precast  
Custom  
Grandeur  
Mantel

# Grandeur

## Precast Fireplace Mantel



GYPSUM		
Grandeur	Grandeur to 94 1/4 - Gypsum	4,725
STONE		
Grandeur	Grandeur to 94 1/4 - Stone	7,560

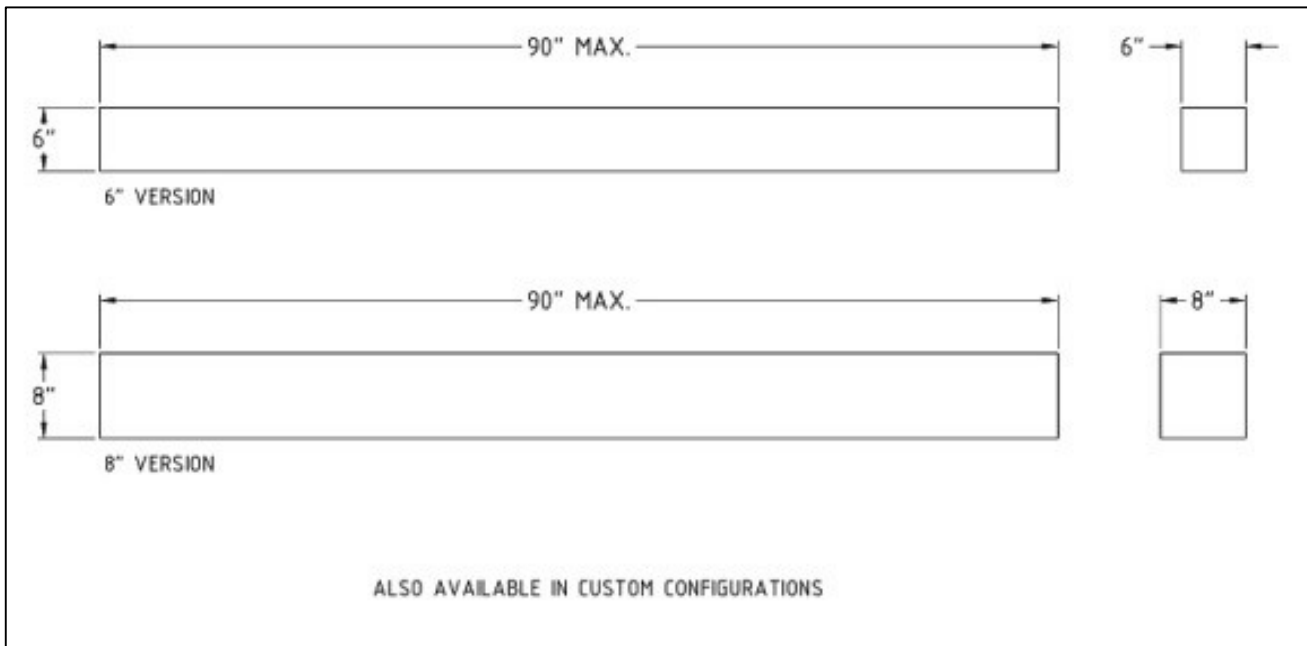
**\*\*\* NOTE: This is a VERY LARGE . It is 27" deep!!**

**HEARTHCO INC.**  
MANUFACTURERS OF PRECAST & WOOD PRODUCTS

Precast  
Custom  
Caps/Shelves  
MetroScapes

# Avignon

## Precast Fireplace Cap

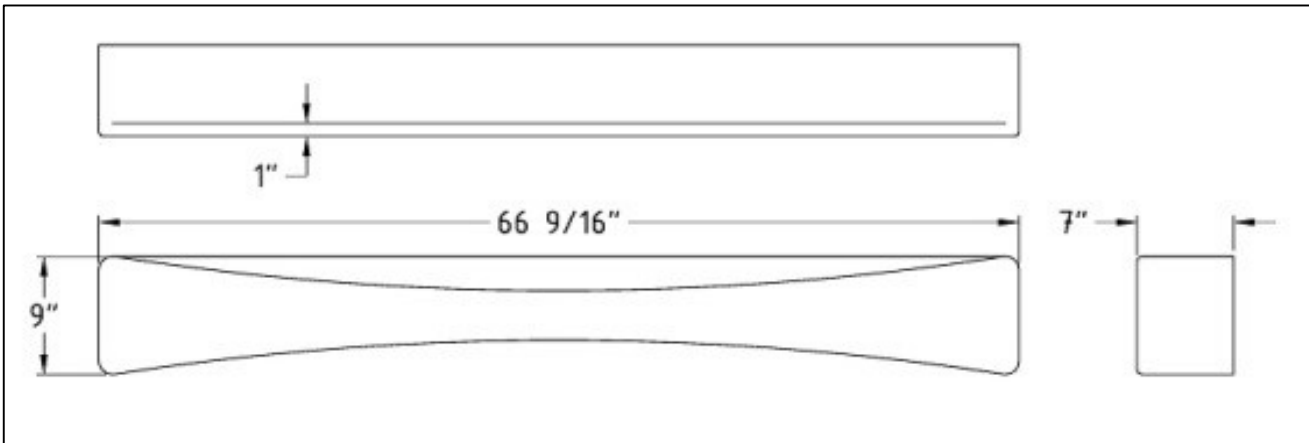


<b>GYPSUM</b>		
AVI CAP A690	Avignon Cap Custom 6" up to 90" - Gypsum	562
AVI CAP A890	Avignon Cap Custom 8" up to 90" - Gypsum	589
<b>TONE</b>		
AVI CAP A690	Avignon Cap Custom 6" up to 90" - Stone	899
AVI CAP A890	Avignon Cap Custom 8" up to 90" - Stone	943



# Blanton

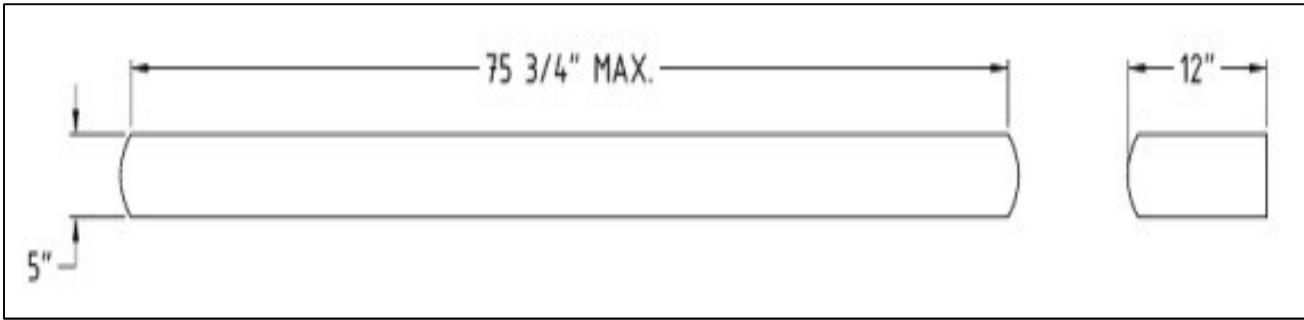
## Precast Fireplace Cap



<b>GYPSUM</b>		
BLA CAP	Blanton Cap 9" x 66 9/16" - Gypsum	886
<b>STONE</b>		
BLA CAP	Blanton Cap 9" x 66 9/16" - Stone	1,417

# Briscoe

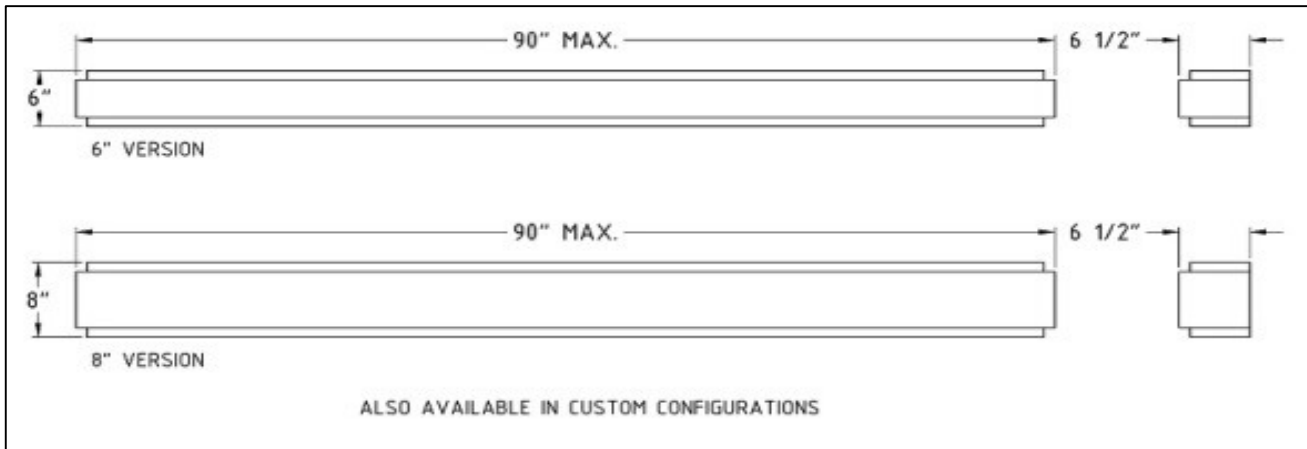
## Precast Fireplace Cap



<b>GYPSUM</b>		
BRI CAP A575	Briscoe Cap Custom 5" up to 75 3/4" - Gypsum	844
<b>STONE</b>		
BRI CAP A575	Briscoe Cap Custom 5" up to 75 3/4" - Stone	1,350

# Crocker

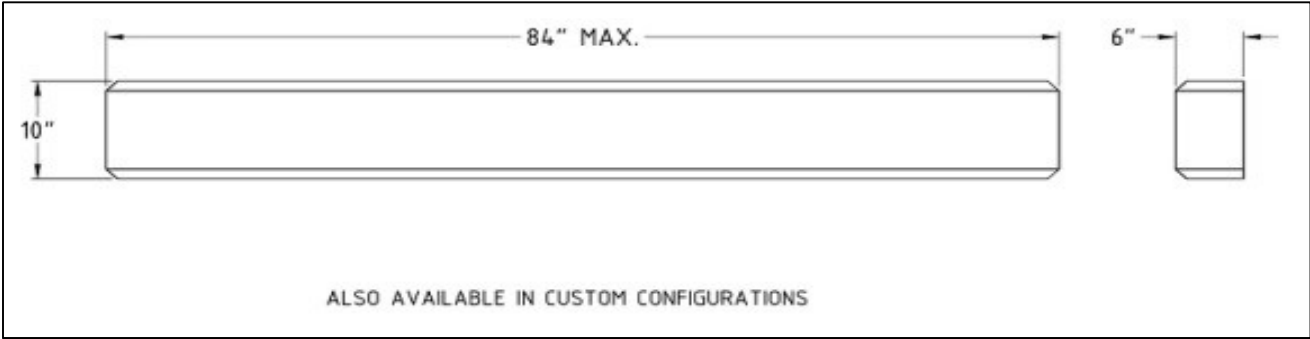
## Precast Fireplace Cap



<b>GYPSUM</b>		
CRO CAP A690	Crocker Cap Custom 6" up to 90" - Gypsum	844
CRO CAP A890	Crocker Cap Custom 8" up to 90" - Gypsum	886
<b>STONE</b>		
CRO CAP A690	Crocker Cap Custom 6" up to 90" - Stone	1,350
CRO CAP A890	Crocker Cap Custom 8" up to 90" - Stone	1,417

# Middlebury

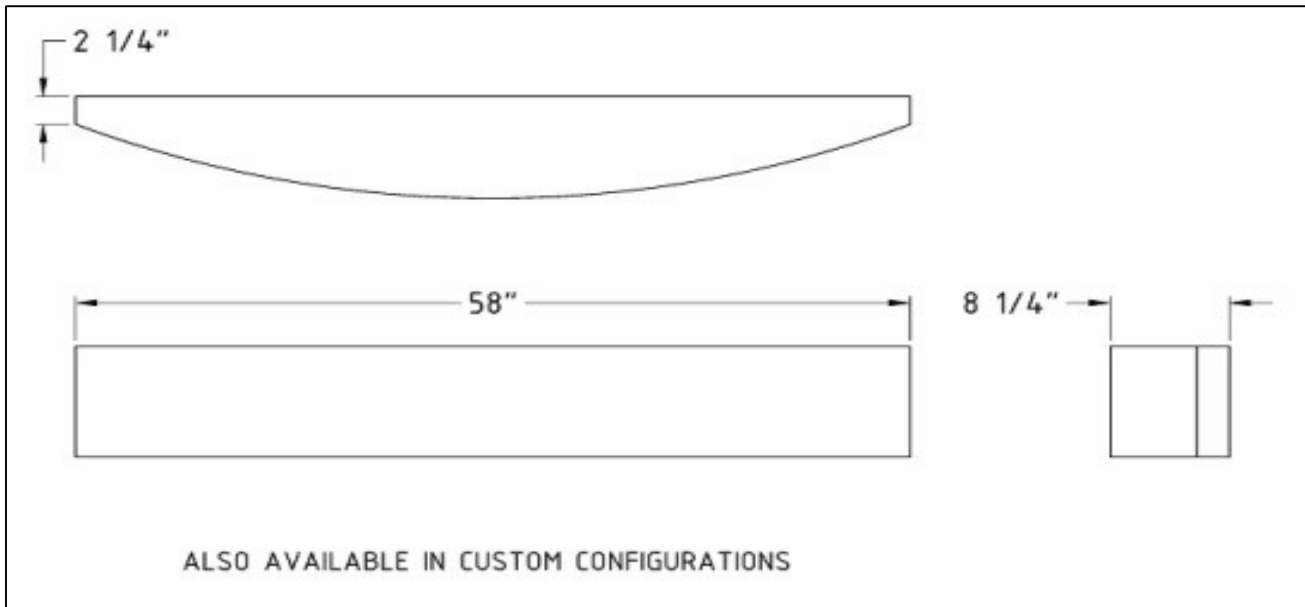
## Precast Fireplace Cap



<b>GYPSUM</b>		
MID CAP A1084	Middlebury Cap Custom 10" up to 84" - Gypsum	811
<b>STONE</b>		
MID CAP A1084	Middlebury Cap Custom 10" up to 84" - Stone	1,298

# Pavilion Cap

Precast Fireplace Cap



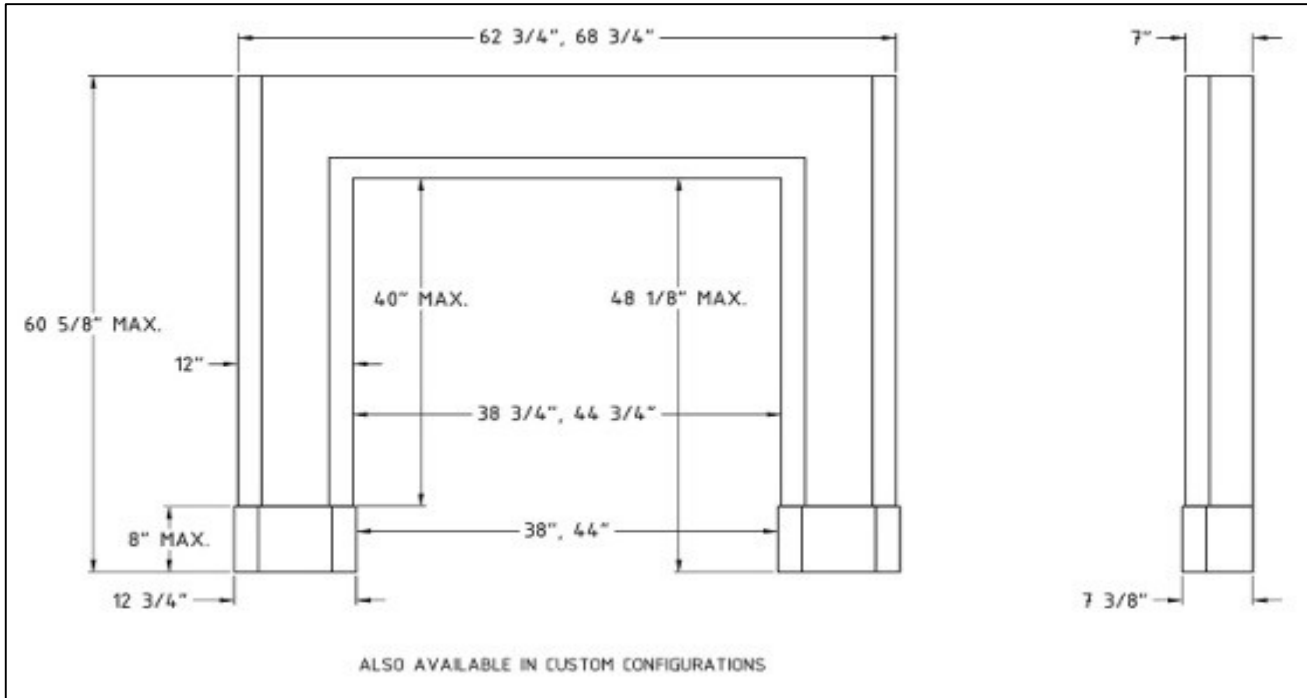
<b>GYPSUM</b>		
PAV CAP	Pavilion Cap 58" x 9" x 8 1/2" - Gypsum	386
<b>STONE</b>		
PAV CAP	Pavilion Cap 58" x 9" x 8 1/2" - Stone	618

**HEARTHCO INC.**  
MANUFACTURERS OF PRECAST & WOOD PRODUCTS

Precast  
Surrounds  
MetroScapes

# Bauhaus

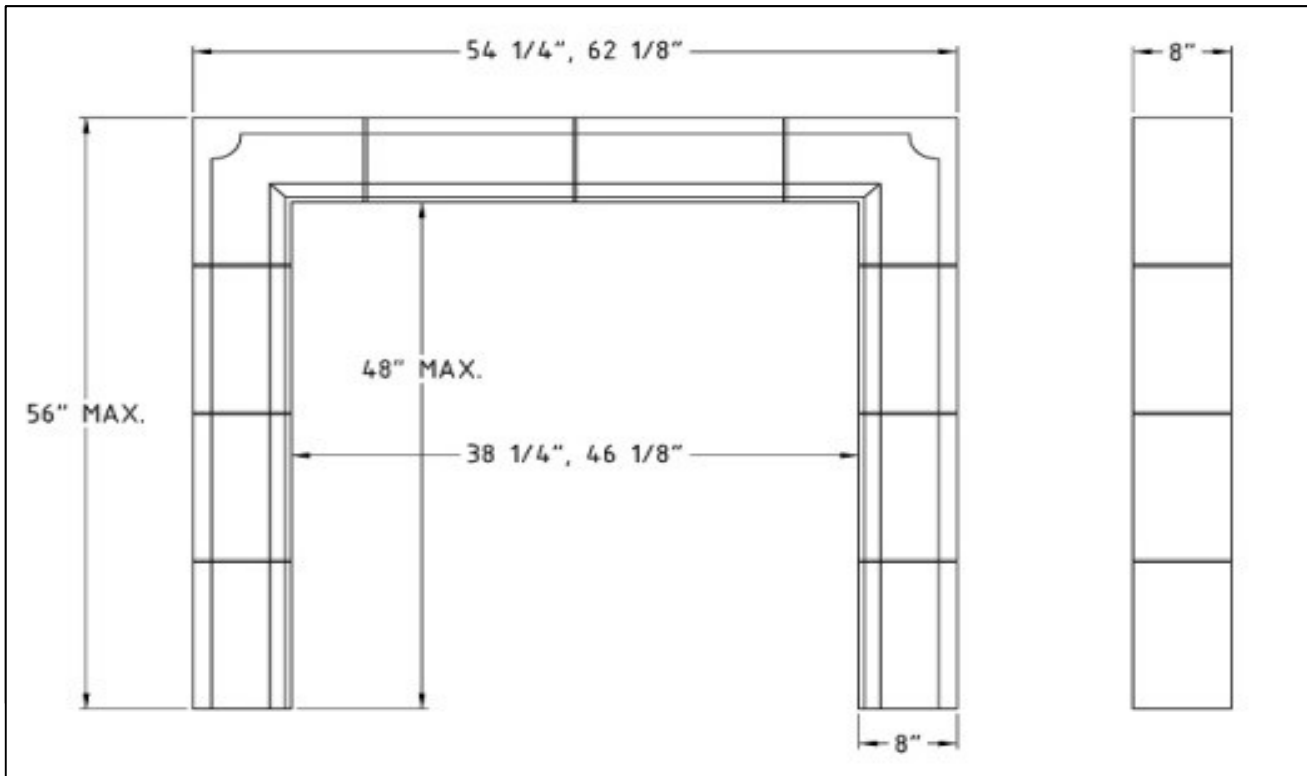
## Precast Fireplace



<b>GYPSUM</b>		
BAU 3-38	Bauhaus 38 3/4" x 40" - Gypsum	811
BAU 3-44	Bauhaus 44 3/4" x 40" - Gypsum	932
BAU PLINTH	Bauhaus Plinth Blocks (pair) - Gypsum	125
<b>STONE</b>		
BAU 3-38	Bauhaus 38 3/4" x 40" - Stone	1,298
BAU 3-44	Bauhaus 44 3/4" x 40" - Stone	1,492
BAU PLINTH	Bauhaus Plinth Blocks (pair) - Gypsum	200

# Dorado

## Precast Fireplace

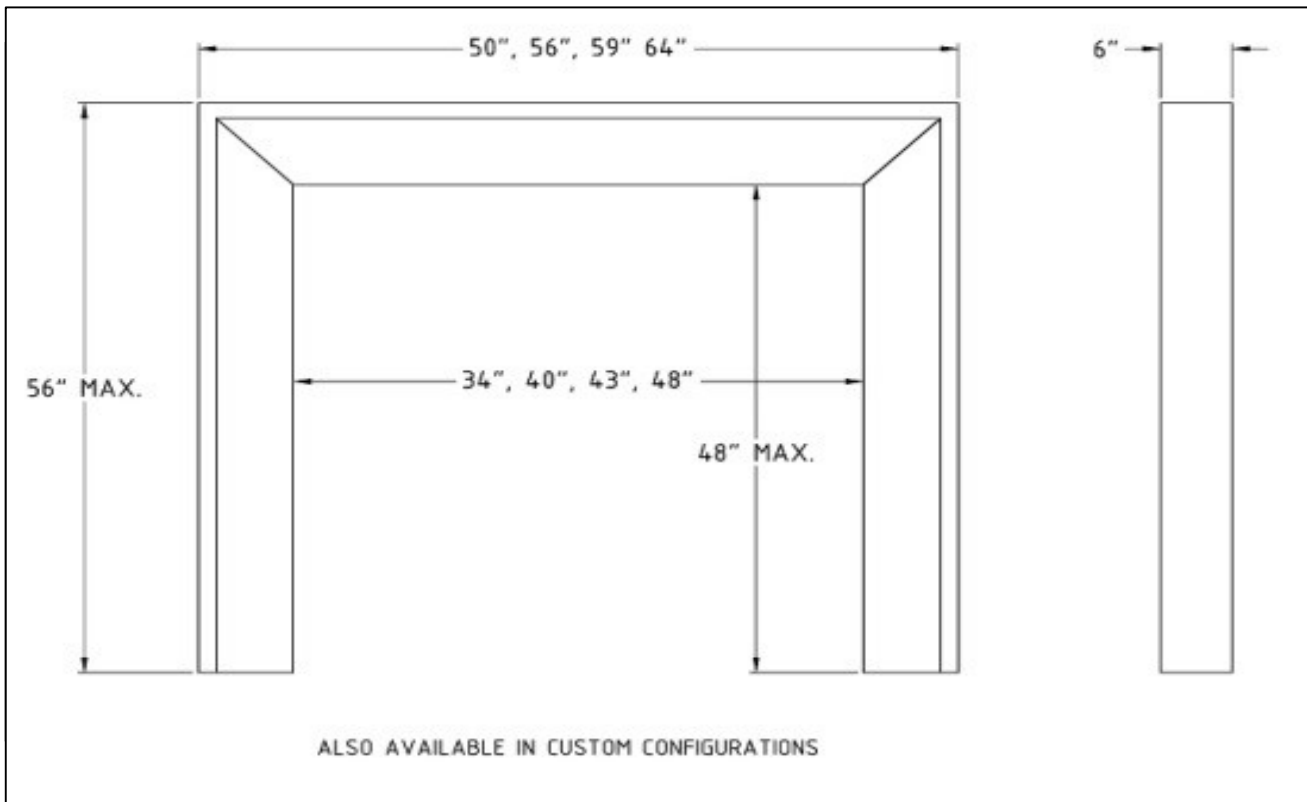


GYPSUM		
DOR 3-38	Dorado 38 1/4" x 48" - Gypsum	695
DOR 3-46	Dorado 46 1/8" x 48" - Gypsum	734
STONE		
DOR 3-38	Dorado 38 1/4" x 48" - Stone	1,112
DOR 3-46	Dorado 46 1/8" x 48" - Stone	1,175



# Frisco

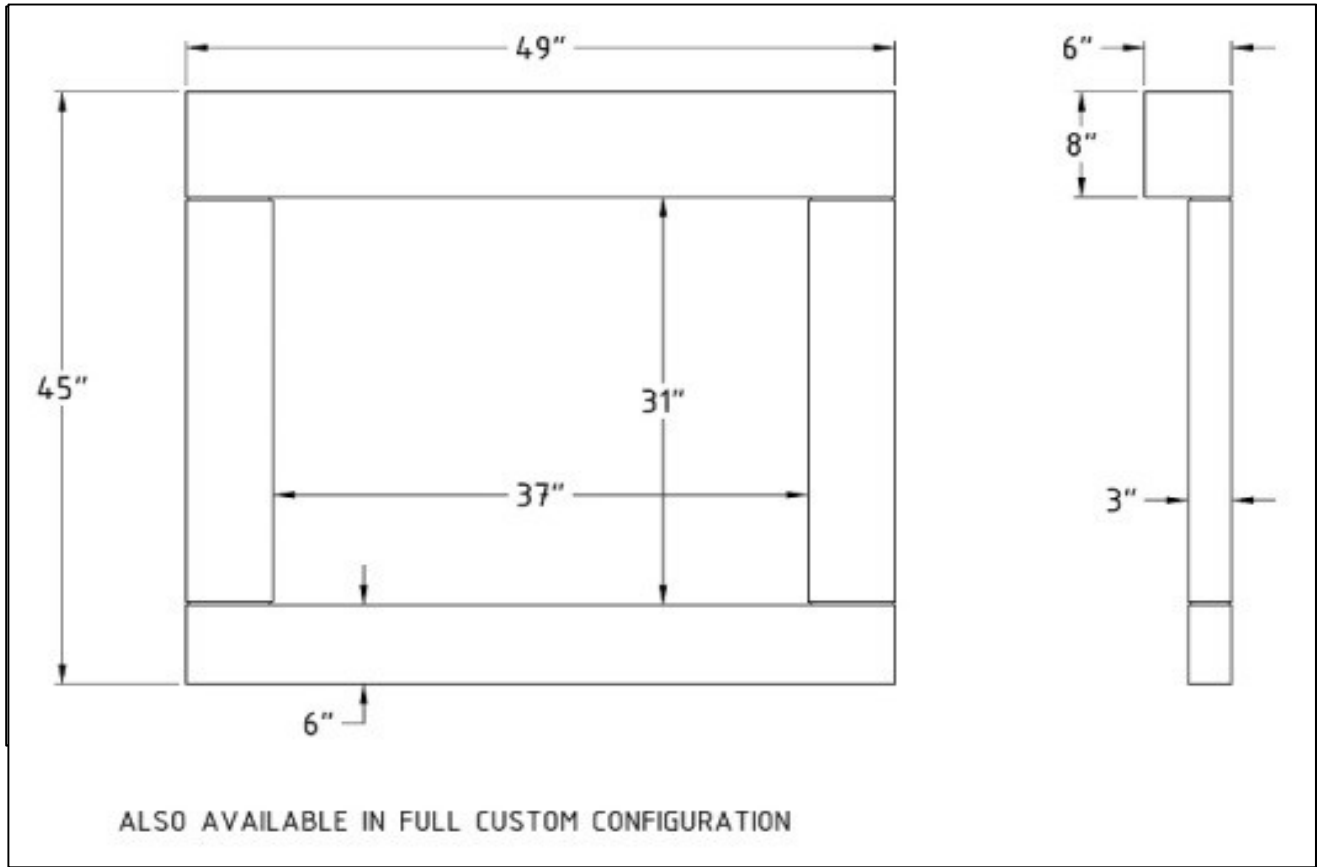
## Precast Fireplace



<b>GYPSUM</b>		
FRI 3-34	Frisco 34" x 48" - Gypsum	492
FRI 3-40	Frisco 40" x 48" - Gypsum	574
FRI 3-43	Frisco 43" x 48" - Gypsum	609
FRI 3-48	Frisco 48" x 48" - Gypsum	670
<b>STONE</b>		
FRI 3-34	Frisco 34" x 48" - Stone	787
FRI 3-40	Frisco 40" x 48" - Stone	919
FRI 3-43	Frisco 43" x 48" - Stone	974
FRI 3-48	Frisco 48" x 48" - Stone	1,072

# Edge PF

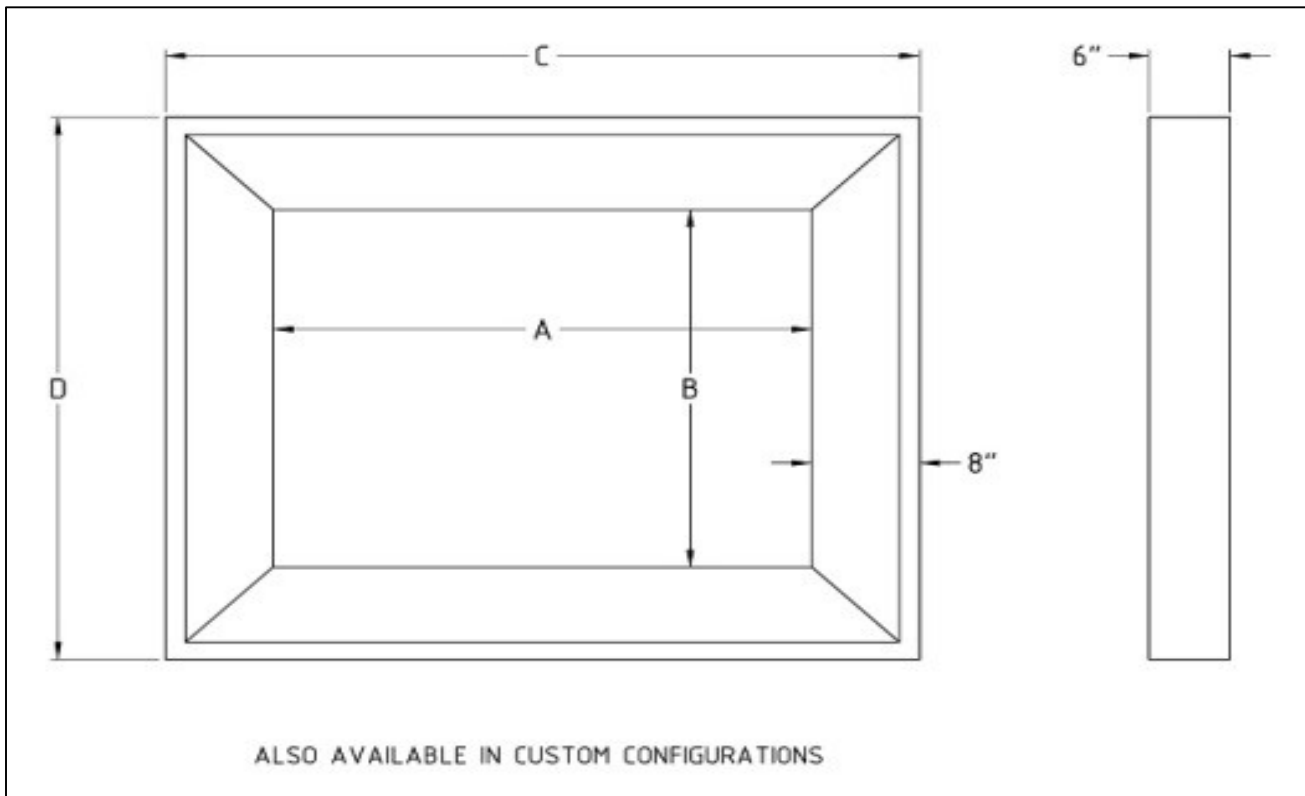
## Precast Picture Frame Fireplace Surround



<b>GYPSUM</b>		
EDG 4-3731	Edge 37" x 31" Picture Frame Surround - Gypsum	809
<b>STONE</b>		
EDG 4-3731	Edge 37" x 31" Picture Frame Surround - Stone	1,294

# Frisco PF

## Precast Picture Frame Fireplace

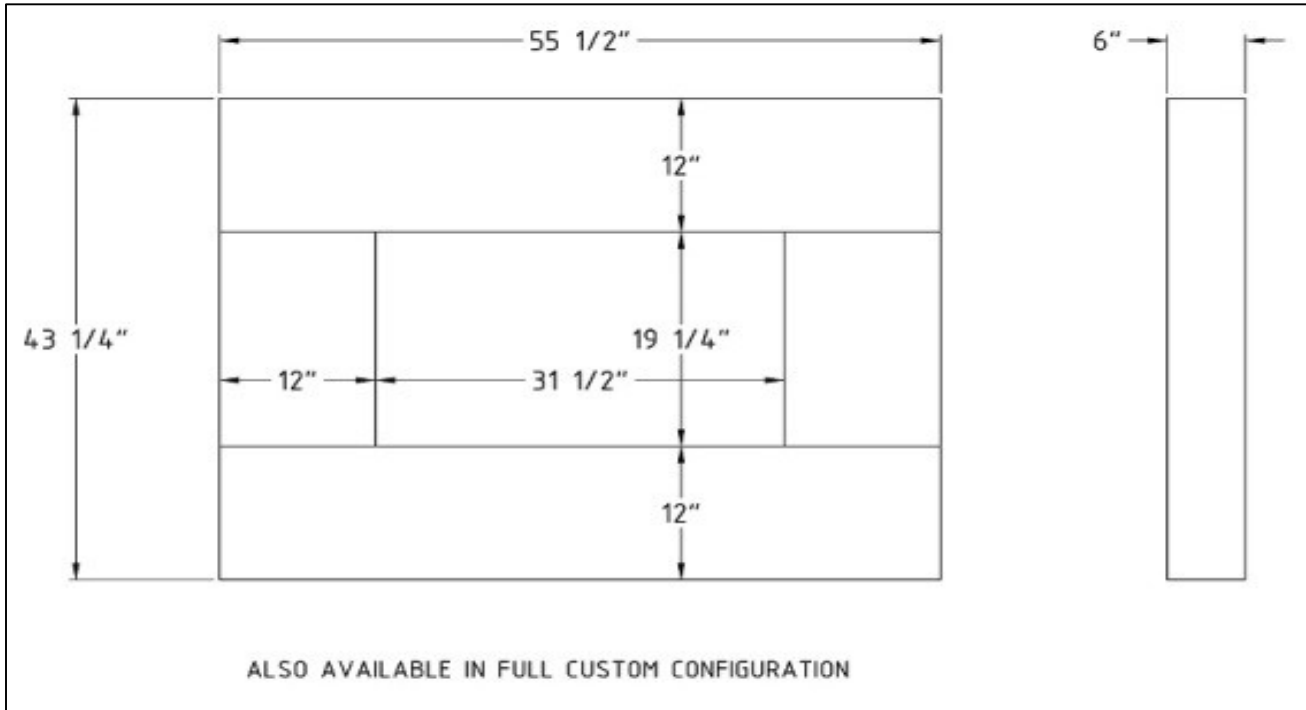


<b>Picture Frame</b>	<b>A</b>	<b>B</b>	<b>C</b>	<b>D</b>	<b>E</b>	<b>F</b>	<b>G</b>	<b>H</b>	<b>I</b>	<b>J</b>	<b>K</b>
Frisco 4-3935	39	35	55	51	N/A	N/A	N/A	N/A	N/A	N/A	N/A
Frisco 4-4031	40	31	56	47	N/A	N/A	N/A	N/A	N/A	N/A	N/A
Frisco 4-4429	44 1/2	29 3/4	60 1/2	45 3/4	N/A	N/A	N/A	N/A	N/A	N/A	N/A

<b>GYPSUM</b>		
FRI 4-3935	Frisco 39" x 35" Picture Frame Mantel - Gypsum	971
FRI 4-4031	Frisco 40" x 31" Picture Frame Mantel - Gypsum	1,002
FRI 4-4429	Frisco 44 1/2" x 29 3/4" Picture Frame Mantel - Gypsum	1,020
<b>STONE</b>		
FRI 4-3935	Frisco 39" x 35" Picture Frame Mantel - Stone	1,553
FRI 4-4031	Frisco 40" x 31" Picture Frame Mantel - Stone	1,603
FRI 4-4429	Frisco 44 1/2" x 29 3/4" Picture Frame Mantel - Stone	1,632

# Gatsby PF

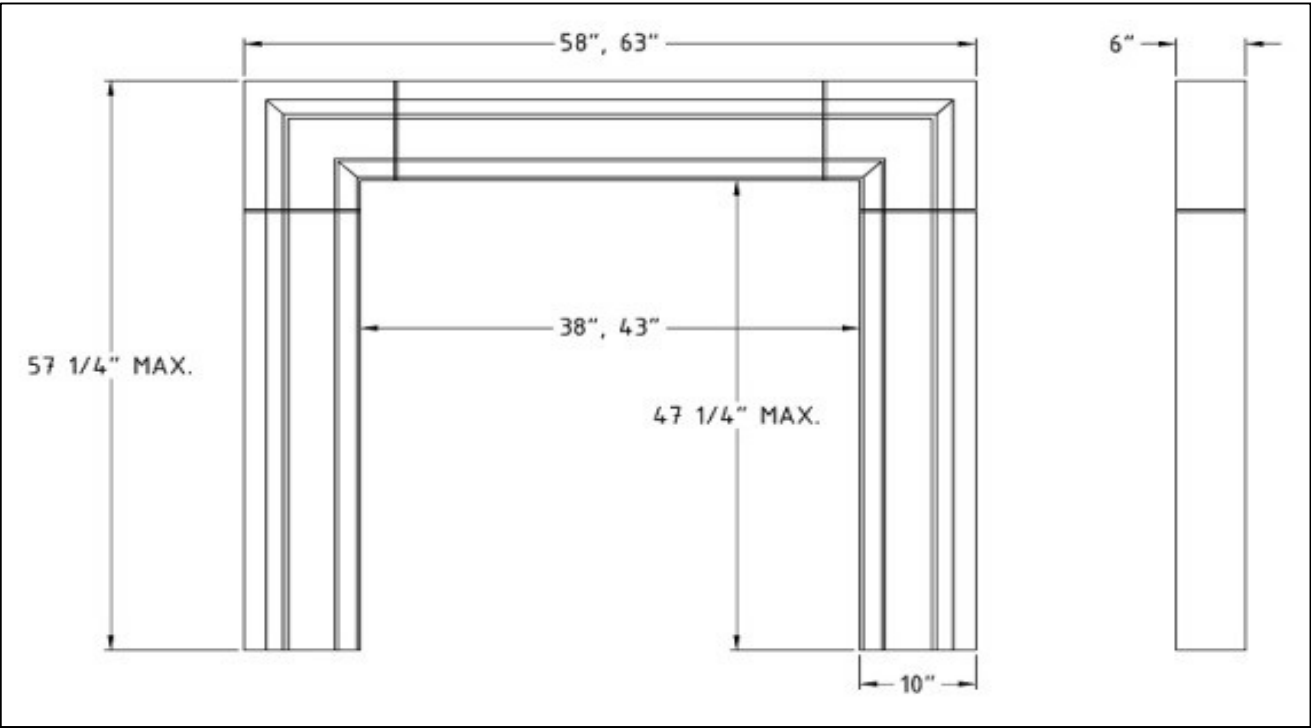
## Precast Picture Frame Fireplace



<b>GYPSUM</b>		
GAT 4-3120-3	Gatsby 31 1/2" x 19 1/4" Inside - Picture Frame - Gypsum	886
<b>STONE</b>		
GAT 4-3120-3	Gatsby 31 1/2" x 19 1/4" Inside - Picture Frame - Stone	1,417

# Hanford

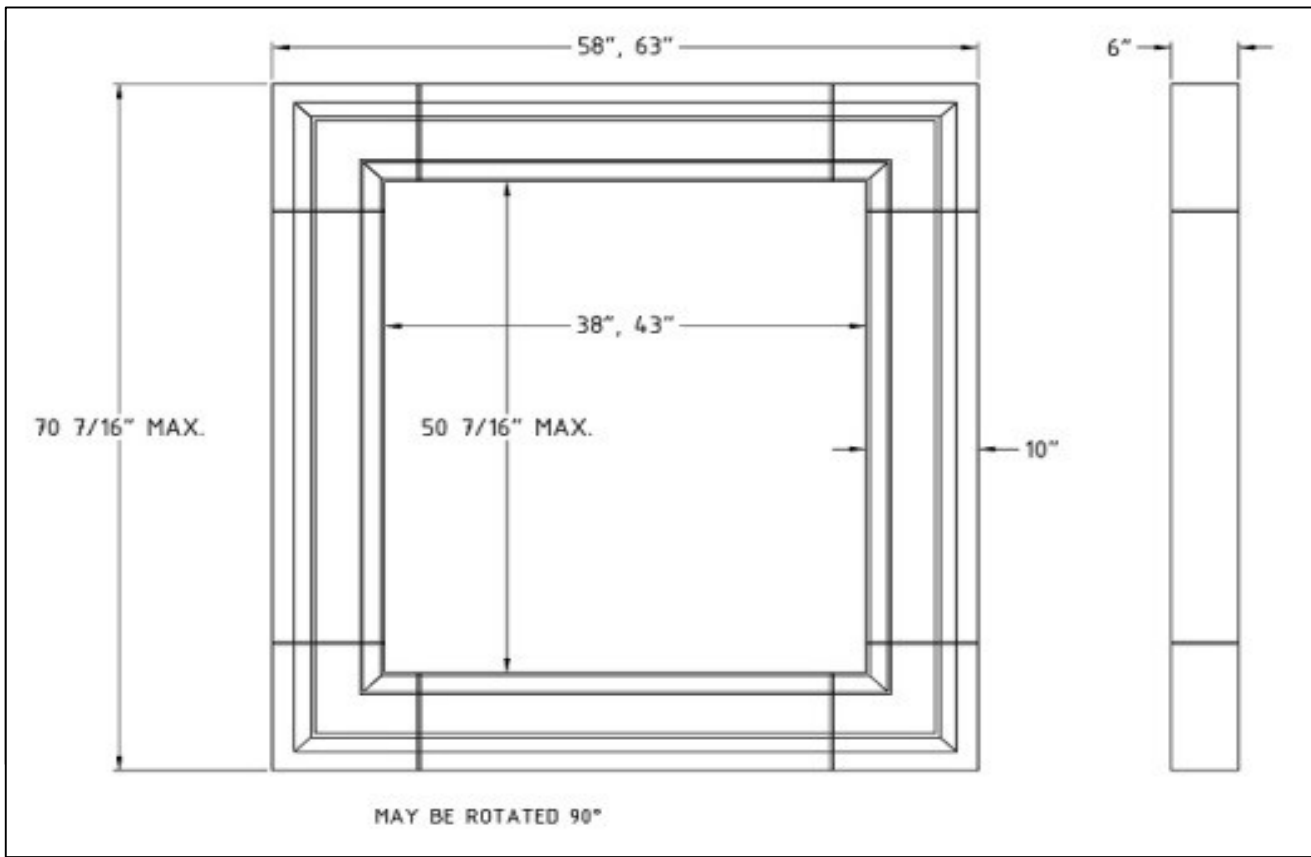
## Precast Fireplace



<b>GYPSUM</b>		
Hanford 58	Hanford Surround 58" - Gypsum	642
Hanford 63	Hanford Surround 63" - Gypsum	662
<b>STONE</b>		
Hanford 58	Hanford Surround 58" - Stone	1,027
Hanford 63	Hanford Surround 63" - Stone	1,060

# Hanford PF

## Precast Picture Frame Fireplace



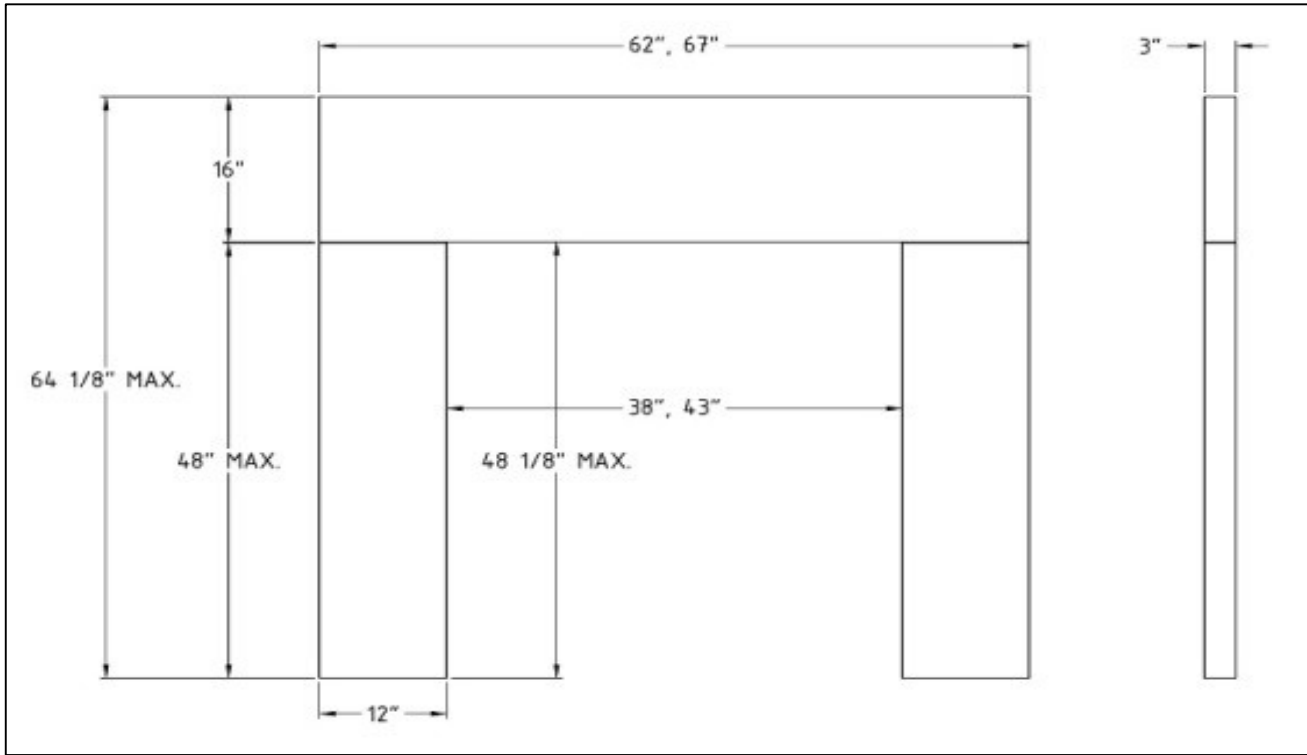
Note the Hanford PF is a multi piece Surround.

You are able to field cut the legs to length to achieve whatever height y

<b>GYPSUM</b>		
HAN 4-3850	Hanford 38" x 50 7/16" Picture Frame Mantel - Gypsum	1,050
HAN 4-4350	Hanford 43" x 50 7/16" Picture Frame Mantel - Gypsum	1,093
<b>STONE</b>		
HAN 4-3850	Hanford 38" x 50 7/16" Picture Frame Mantel - Stone	1,680
HAN 4-4350	Hanford 43" x 50 7/16" Picture Frame Mantel - Stone	1,749

# Plateau

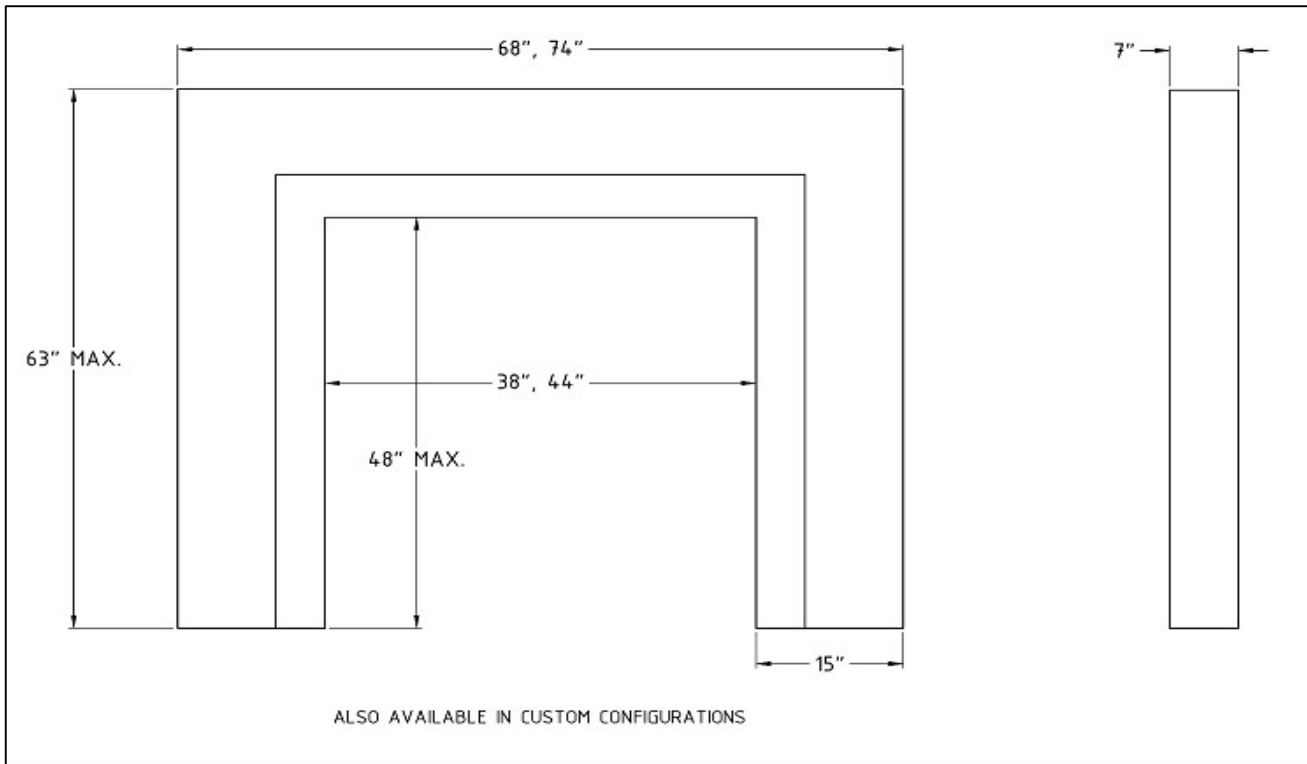
## Precast Fireplace



<b>GYPSUM</b>		
PLA 62	Plateau 62" - Gypsum	655
PLA 67	Plateau 67" - Gypsum	714
<b>STONE</b>		
PLA 62	Plateau 62" - Stone	1,048
PLA 67	Plateau 67" - Stone	1,142

# Westmoreland

## Precast Fireplace



<b>GYPSUM</b>		
WES 3-38	Westmoreland 38" x 48" - Gypsum	811
WES 3-44	Westmoreland 44" x 48" - Gypsum	932
<b>STONE</b>		
WES 3-38	Westmoreland 38" x 48" - Stone	1,298
WES 3-44	Westmoreland 44" x 48" - Stone	1,492

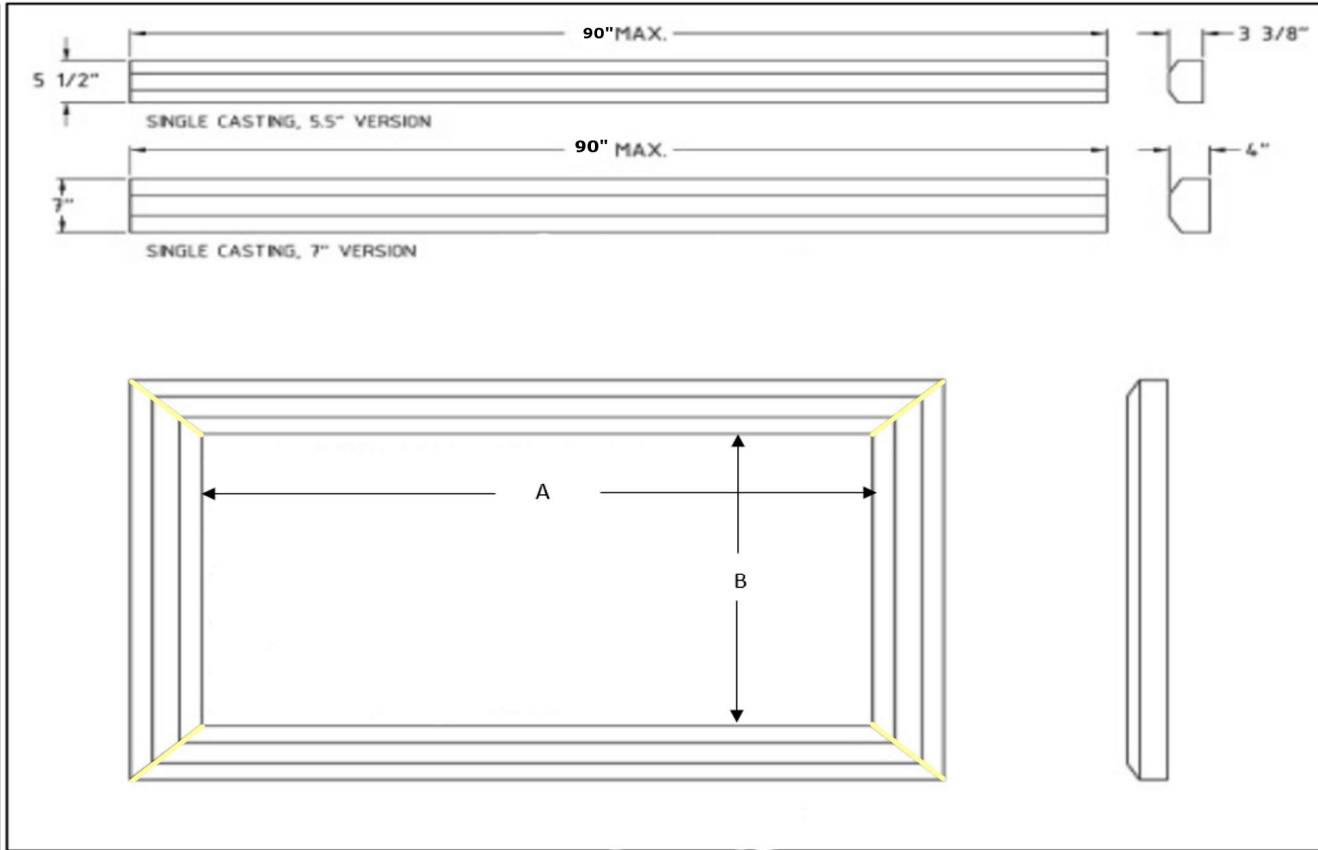


**HEARTHCO INC.**  
MANUFACTURERS OF PRECAST & WOOD PRODUCTS

Precast  
Custom  
MetroScapes

# Fullerton

## Precast Fireplace Custom Sections



### NOTES:

**CAPS:** Straight section with square edges

**3 Sided:** One Top or Bottom section cut 45 degrees on each end and one left side and one right side cut 45 degrees at the top and square on the bottom to make a 3 sided surround.

**4 Sided:** Two Top or Bottom sections cut 45 degrees on each end and two side sections cut 45 degrees at the top and bottom to make a PF 4 sided

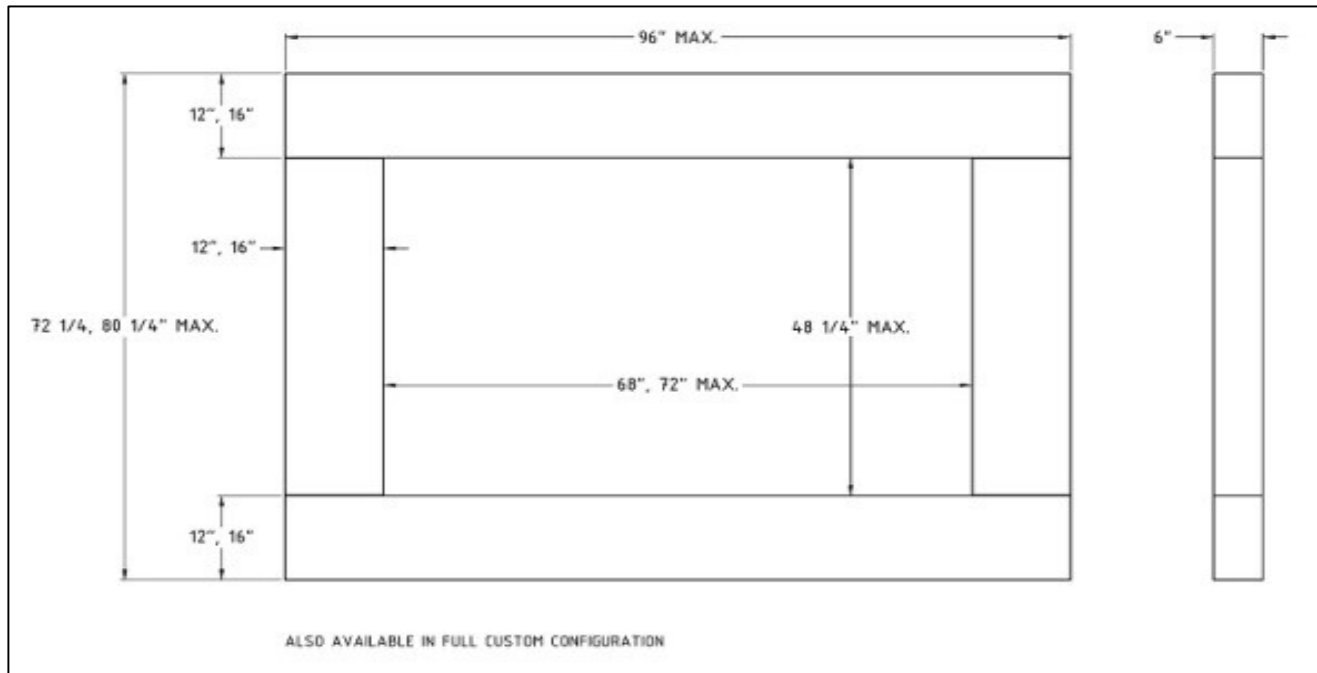
When ordering specify the A dimension (interior width) and B dimension (interior height).

GYPSUM		
FULLERTON CAP A596	Fullerton Cap Custom 5 1/2" up to 90" - Gypsum	562
FULLERTON 3 A596	Fullerton 3 Sided Custom 5 1/2" up to 90" - Gypsum	1,236
FULLERTON 4 A596	Fullerton 4 sided Custom 5 1/2" up to 90" - Gypsum	1,797
FULLERTON CAP A796	Fullerton Cap Custom 7" up to 90" - Gypsum	589
FULLERTON 3 A796	Fullerton 3 Sided Custom 7" up to 90" - Gypsum	1,296
FULLERTON 4 A796	Fullerton 4 sided Custom 7" up to 90" - Gypsum	1,885
STONE		

FULLERTON CAP A596	Fullerton Cap Custom 5 1/2" up to 90" - Stone	899
FULLERTON 3 A596	Fullerton 3 Sided Custom 5 1/2" up to 90" - Stone	1,977
FULLERTON 4 A596	Fullerton 4 sided Custom 5 1/2" up to 90" - Stone	2,875

# Gatsby Custom PF

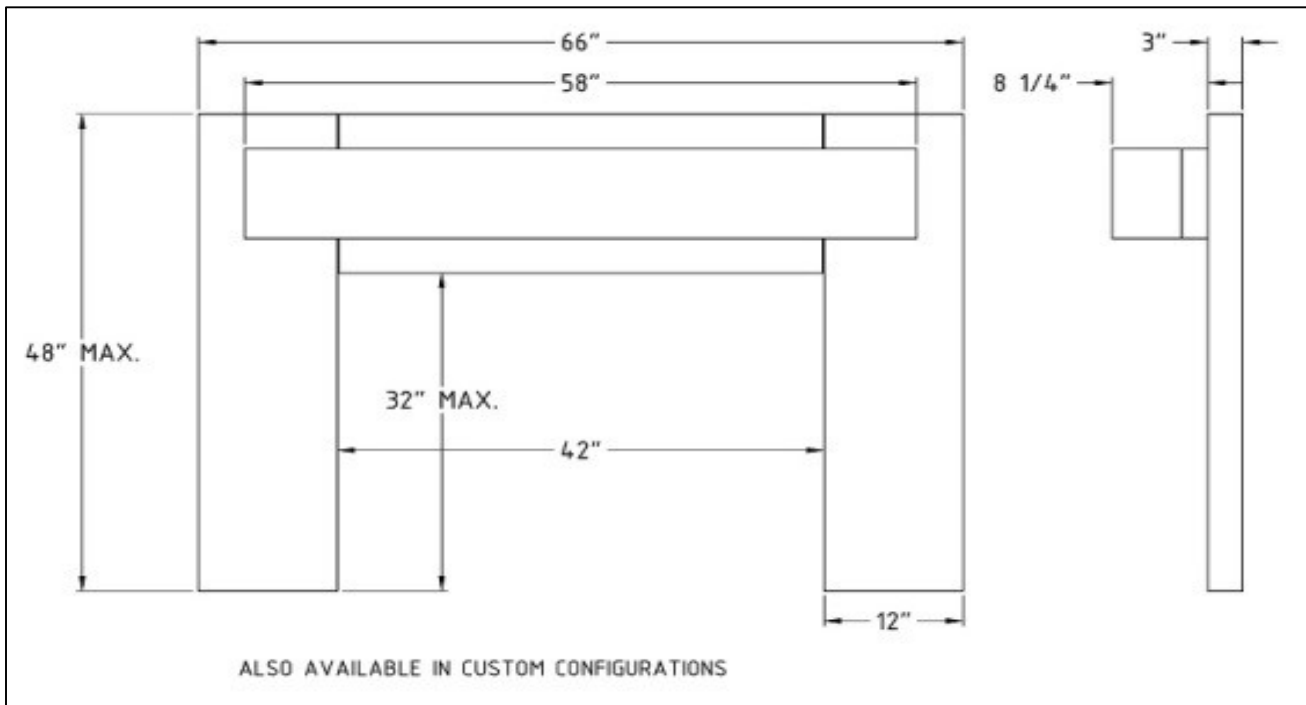
## Precast Picture Frame Fireplace



<b>GYPSUM</b>		
Gatsby PF	Gatsby Custom Picture Frame to 12" - Gypsum	1,397
Gatsby PF	Gatsby Custom Picture Frame to 16" - Gypsum	2,094
<b>STONE</b>		
Gatsby PF	Gatsby Custom Picture Frame to 12" - Stone	2,235
Gatsby PF	Gatsby Custom Picture Frame to 16" - Stone	3,350

# Pavilion

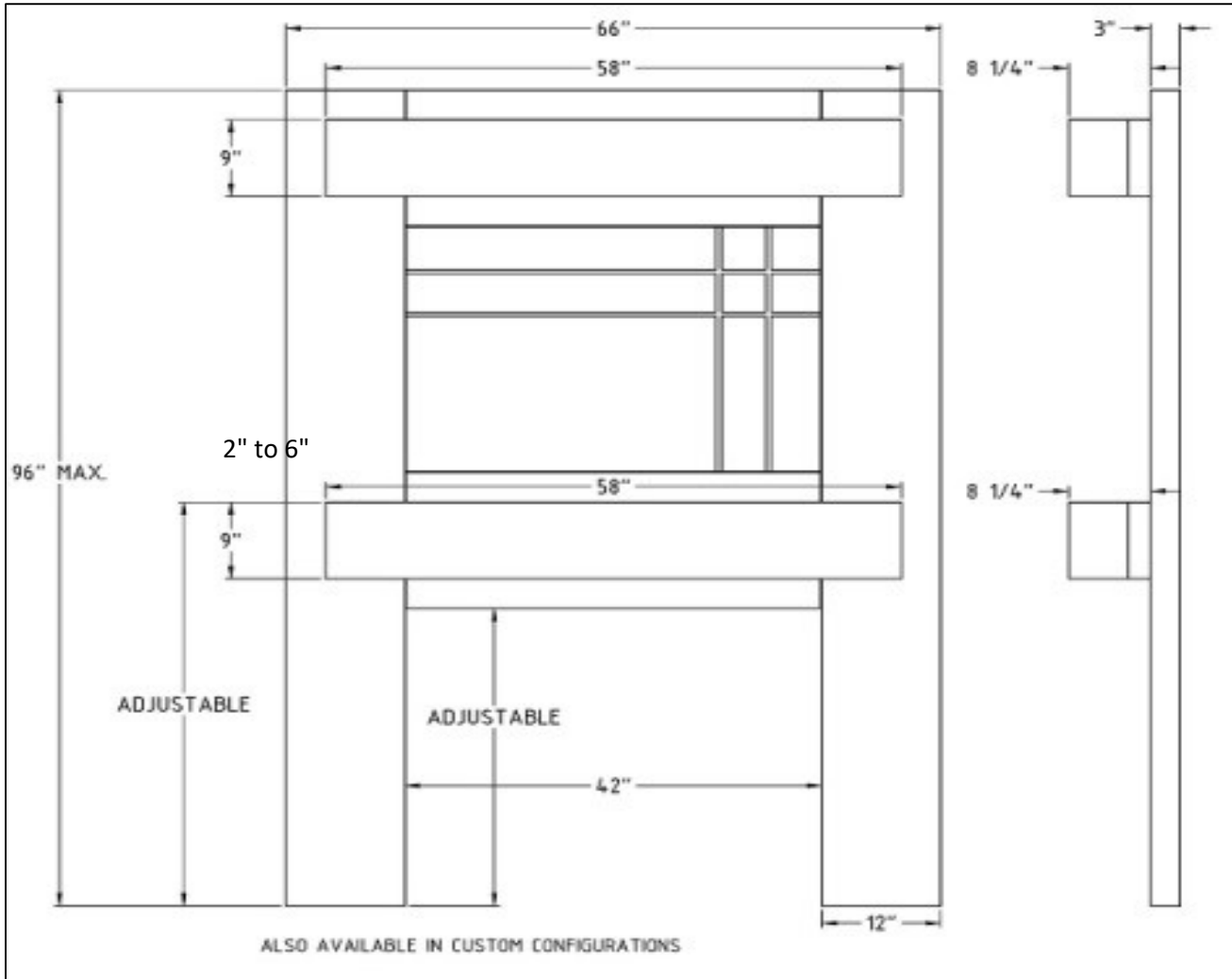
## Precast Fireplace



<b>GYPSUM</b>		
Pavilion	Pavilion -Gypsum	1,351
<b>STONE</b>		
Pavilion	Pavilion -Stone	2,162

# Pavilion Grand

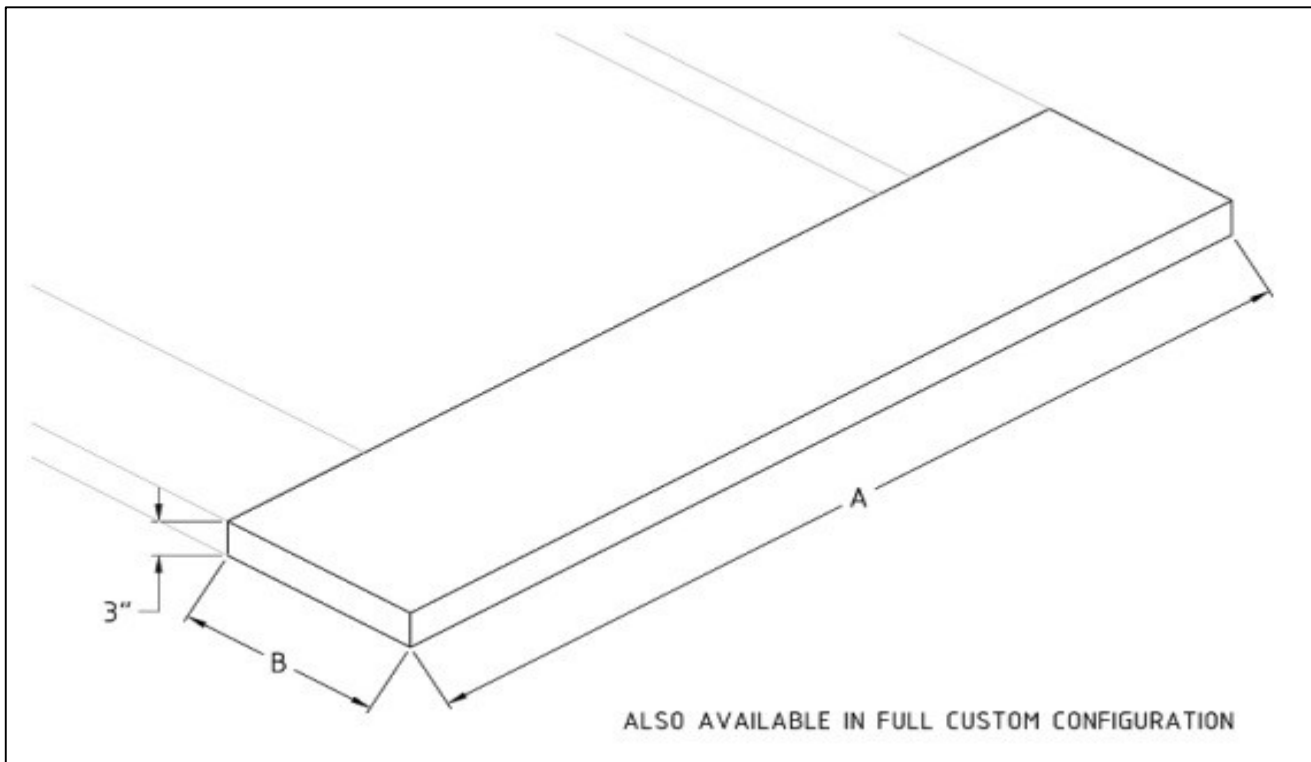
Precast Picture Frame Fireplace



<b>GYPSUM</b>		
Pavilion Grand	Pavilion Grand -Gypsum	3,487
<b>STONE</b>		
Pavilion Grand	Pavilion Grand -Stone	5,580

# Plateau Custom 3" thick

## Precast Fireplace Sections



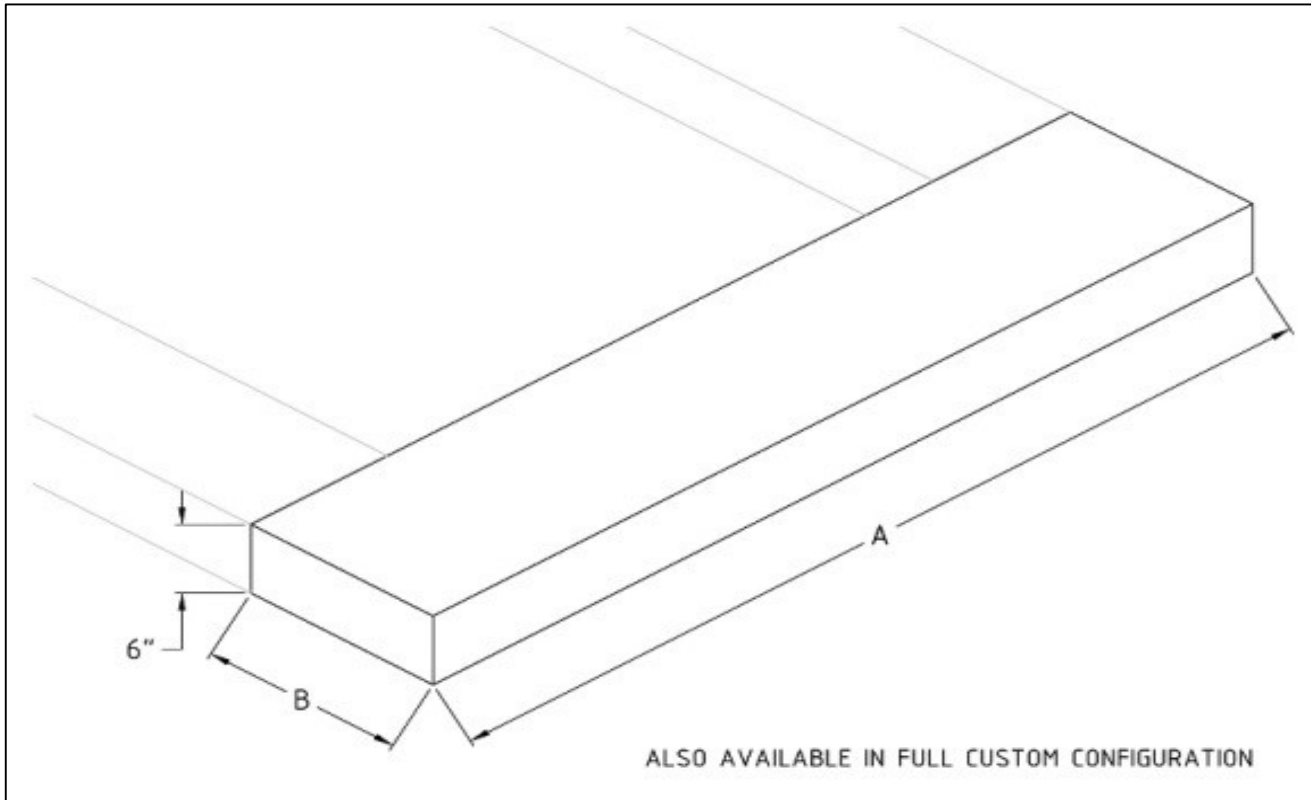
\*\*\*\*Note: you may use any of the 3" Custom sizes below to make any length and width you wish as long as you do not exceed the number of square inches for that part.

If the total square inches exceeds the size of one part go to the next larger size

<b>GYPSUM</b>		
PLA A 12-48-3	Plateau Custom 12" x to 48" x 3" - Gypsum	232
PLA A 12-96-3	Plateau Custom 12" x to 96" x 3" - Gypsum	482
PLA A 16-48-3	Plateau Custom 16" x to 48" x 3" - Gypsum	313
PLA A 16-96-3	Plateau Custom 16" x to 96" x 3" - Gypsum	650
PLA ADJ 3	Plateau Custom 24" x 96" x 3" - Gypsum	965
<b>STONE</b>		
PLA A 12-48-3	Plateau Custom 12" x to 48" x 3" - Stone	371
PLA A 12-96-3	Plateau Custom 12" x to 96" x 3" - Stone	771
PLA A 16-48-3	Plateau Custom 16" x to 48" x 3" - Stone	501
PLA A 16-96-3	Plateau Custom 16" x to 96" x 3" - Stone	1,040
PLA ADJ 3	Plateau Custom 24" x 96" x 3" - Stone	1,544

# Plateau Custom 6" thick

## Precast Fireplace Sections



\*\*\*\*Note: you may use any of the 6" Custom sizes below to make any length and width you wish as long as you do not exceed the number of square inches for that part.

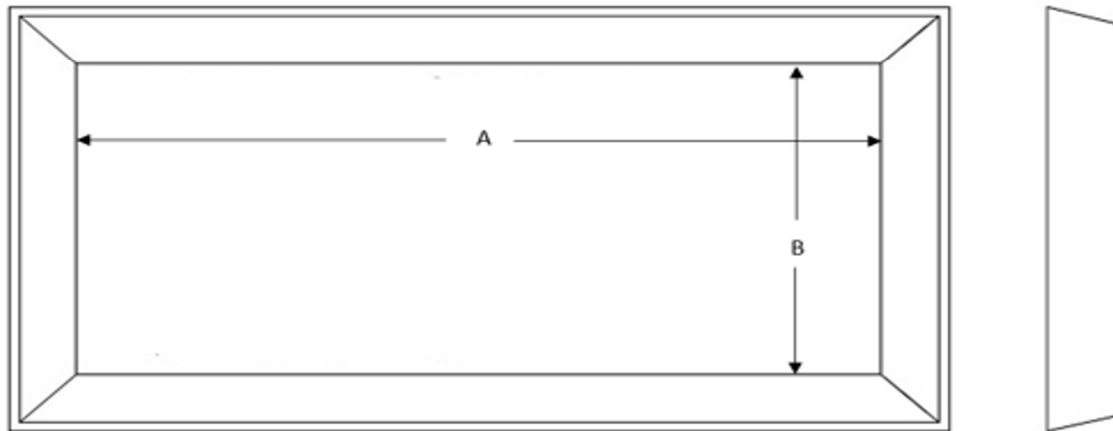
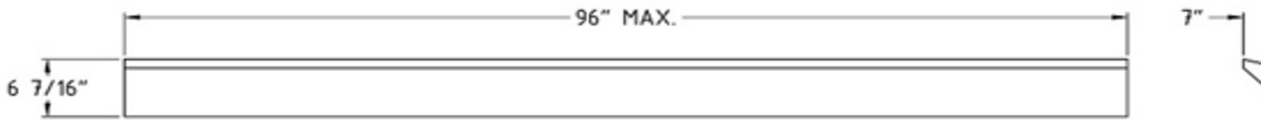
If the total square inches exceeds the size of one part go to the next larger size

<b>GYPSUM</b>		
PLA A 12-48-6	Plateau Custom 12" x to 48" x 6" - Gypsum	291
PLA A 12-96-6	Plateau Custom 12" x to 96" x 6" - Gypsum	602
PLA A 16-48-6	Plateau Custom 16" x to 48" x 6" - Gypsum	392
PLA A 16-96-6	Plateau Custom 16" x to 96" x 6" - Gypsum	812
PLA ADJ 6	Plateau Custom 24" x 96" x 6" - Gypsum	1,206
		0
<b>STONE</b>		
PLA A 12-48-6	Plateau Custom 12" x to 48" x 6" - Stone	465
PLA A 12-96-6	Plateau Custom 12" x to 96" x 6" - Stone	962
PLA A 16-48-6	Plateau Custom 16" x to 48" x 6" - Stone	627
PLA A 16-96-6	Plateau Custom 16" x to 96" x 6" - Stone	1,300
PLA ADJ 6	Plateau Custom 24" x 96" x 6" - Stone	1,929



# Smithsonian

Precast Custom



## NOTES:

CAPS: Straight section with square edges

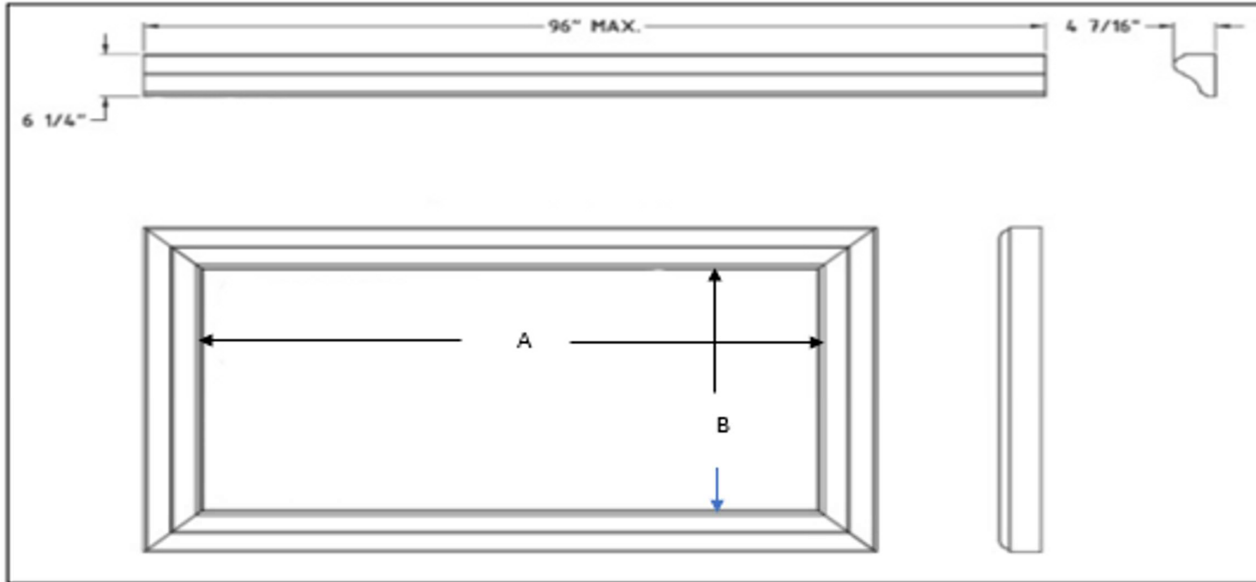
3 Sided: One Top or Bottom section cut 45 degrees on each end and one left side and one right side cut 45 degrees at the top and square on the bottom to make a 3 sided surround.

4 Sided: Two Top or Bottom sections cut 45 degrees on each end and two side sections cut 45 degrees at the top and bottom to make a PF 4 sided

When ordering specify the A dimension (interior width) and B dimension (interior height).

# Taubman

## Precast Custom



### NOTES:

**CAPS:** Straight section with square edges

**3 Sided:** One Top or Bottom section cut 45 degrees on each end and one left side and one right side cut 45 degrees at the top and square on the bottom to make a 3 sided surround.

**4 Sided:** Two Top or Bottom sections cut 45 degrees on each end and two side sections cut 45 degrees at the top and bottom to make a PF 4 sided

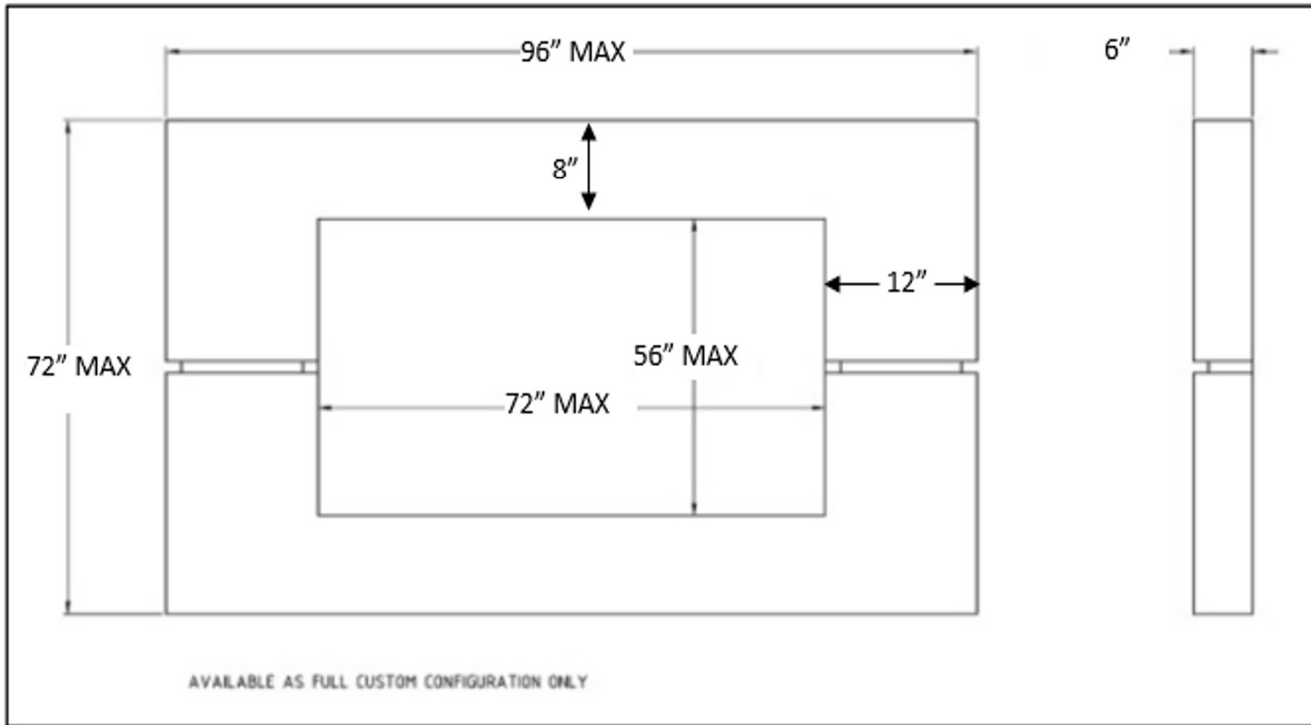
When ordering specify the A dimension (interior width) and B dimension (interior height).

<b>GYPSUM</b>		
TAUBMAN CAP A696	TAUBMAN Cap Custom 6 1/4" up to 96" - Gypsum	562
TAUBMAN 3 A696	TAUBMAN 3 Sided Custom 6 1/4" up to 96" - Gypsum	1,236
TAUBMAN 4 A696	TAUBMAN 4 sided Custom 6 1/4" up to 96" - Gypsum	1,797
<b>STONE</b>		
TAUBMAN CAP A696	TAUBMAN Cap Custom 6 1/4" up to 96" - Stone	899
TAUBMAN 3 A696	TAUBMAN 3 Sided Custom 6 1/4" up to 96" - Stone	1,977
TAUBMAN 4 A696	TAUBMAN 4 sided Custom 6 1/4" up to 96" - Stone	2,875

]

# Timken

## Precast Fireplace



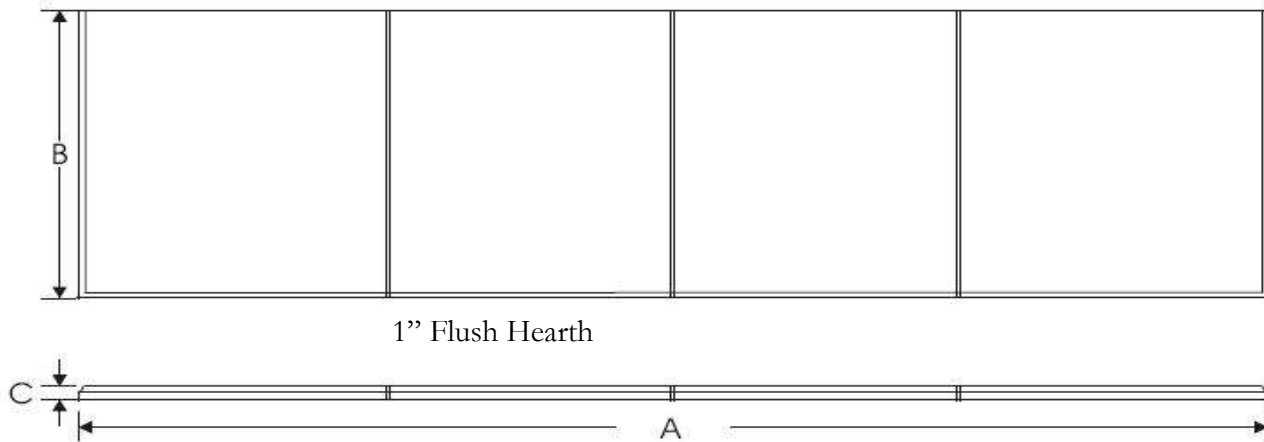
<b>GYPSUM</b>		
TIM A	Timken Custom Picture Frame - Gypsum	1,397
<b>STONE</b>		
TIM A	Timken Custom Picture Frame - Stone	2,235

**HEARTHCO INC.**  
MANUFACTURERS OF PRECAST & WOOD PRODUCTS

# Precast Hearths

# Flush Hearth 1"

Note: One piece with grout lines

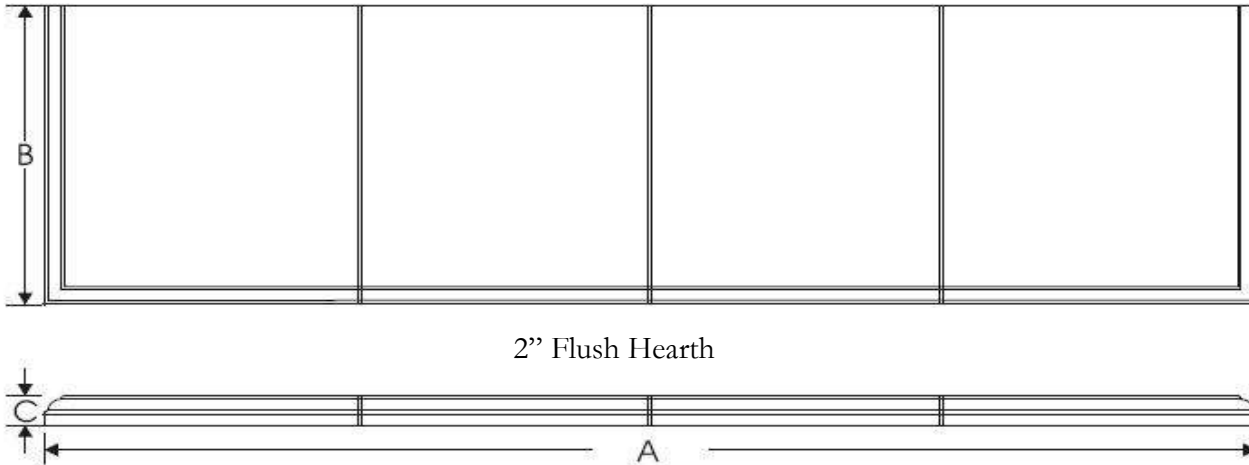


<i>Flush Hearth</i>	A	B	C	D	E	F	G	H	I	J	K	Min. Hearth Size
FH 51-18-1	51	18	1	N/A	N/A	N/A	N/A	N/A	N/A	N/A	N/A	N/A
FH 56-18-1	56	18	1	N/A	N/A	N/A	N/A	N/A	N/A	N/A	N/A	N/A
FH 60-18-1	60	18	1	N/A	N/A	N/A	N/A	N/A	N/A	N/A	N/A	N/A
FH 66-20-1	66	20	1	N/A	N/A	N/A	N/A	N/A	N/A	N/A	N/A	N/A
FH 71-20-1	71	20	1	N/A	N/A	N/A	N/A	N/A	N/A	N/A	N/A	N/A

<b>GYPSUM</b>		
FH 51-18-1	Flush Hearth - 51" x 18" x 1" – Gypsum (70 LBS)	287
FH 56-18-1	Flush Hearth - 56" x 18" x 1" – Gypsum (75 LBS)	300
FH 60-18-1	Flush Hearth - 60" x 18" x 1" – Gypsum (80 LBS)	329
FH 66-20-1	Flush Hearth - 66" x 20" x 1" – Gypsum (95 LBS)	341
FH 71-20-1	Flush Hearth - 71" x 20" x 1" – Gypsum (100 LBS)	388
<b>STONE</b>		
FH 51-18-1	Flush Hearth - 51" x 18" x 1" – Stone (75 LBS)	459
FH 56-18-1	Flush Hearth - 56" x 18" x 1" – Stone (80 LBS)	480
FH 60-18-1	Flush Hearth - 60" x 18" x 1" – Stone (85 LBS)	526
FH 66-20-1	Flush Hearth - 66" x 20" x 1" – Stone (100 LBS)	545
FH 71-20-1	Flush Hearth - 71" x 20" x 1" – Stone (105 LBS)	621

# Flush Hearth 2"

Note: One piece with grout lines

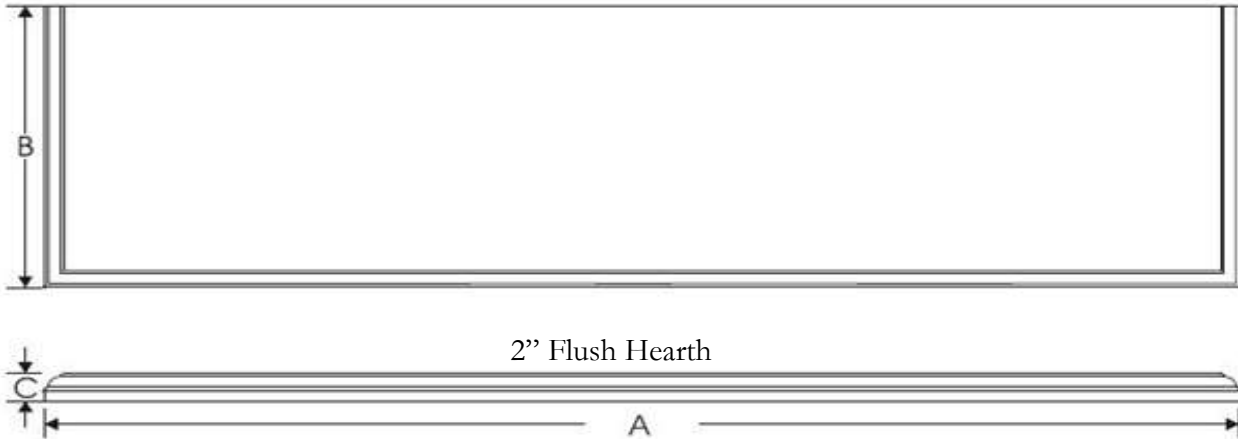


Flush Hearth	A	B	C	D	E	F	G	H	I	J	K	Min. Hearth Size
FH 51-18-2	51	18	2	N/A	N/A	N/A	N/A	N/A	N/A	N/A	N/A	N/A
FH 56-18-2	56	18	2	N/A	N/A	N/A	N/A	N/A	N/A	N/A	N/A	N/A
FH 60-18-2	60	18	2	N/A	N/A	N/A	N/A	N/A	N/A	N/A	N/A	N/A
FH 60-20-2	60	20	2	N/A	N/A	N/A	N/A	N/A	N/A	N/A	N/A	N/A
FH 66-20-2	66	20	2	N/A	N/A	N/A	N/A	N/A	N/A	N/A	N/A	N/A
FH 71-20-2 1/4	71	20	2 1/4	N/A	N/A	N/A	N/A	N/A	N/A	N/A	N/A	N/A

GYPSUM		
FH 51-18-2	Flush Hearth - 51" x 18" x 2" – Gypsum	287
FH 56-18-2	Flush Hearth - 56" x 18" x 2" – Gypsum (110 LBS)	300
FH 60-18-2	Flush Hearth - 60" x 18" x 2" – Gypsum (125 LBS)	329
FH 60-20-2	Flush Hearth - 60" x 20" x 2" – Gypsum	345
FH 66-18-2	Flush Hearth - 66" x 18" x 2" – Gypsum (145 LBS)	358
FH 66-20-2	Flush Hearth - 66" x 20" x 2" – Gypsum (145 LBS)	358
FH 71-20-2 1/4	Flush Hearth - 71" x 20" x 2 1/4" – Gypsum (165 LBS)	388
STONE		
FH 51-18-2	Flush Hearth - 51" x 18" x 2" – Stone	459
FH 56-18-2	Flush Hearth - 56" x 18" x 2" – Stone (130 LBS)	480
FH 60-18-2	Flush Hearth - 60" x 18" x 2" – Stone (170 LBS)	526
FH 60-20-2	Flush Hearth - 60" x 20" x 2" – Stone (140 LBS)	551
FH 66-18-2	Flush Hearth - 66" x 18" x 2" – Stone (170 LBS)	573
FH 66-20-2	Flush Hearth - 66" x 20" x 2" – Stone (170 LBS)	573
FH 71-20-2 1/4	Flush Hearth - 71" x 20" x 2 1/4" – Stone (180 LBS)	621

# Flush Hearth No Grout Lines

Note: One piece with no grout lines



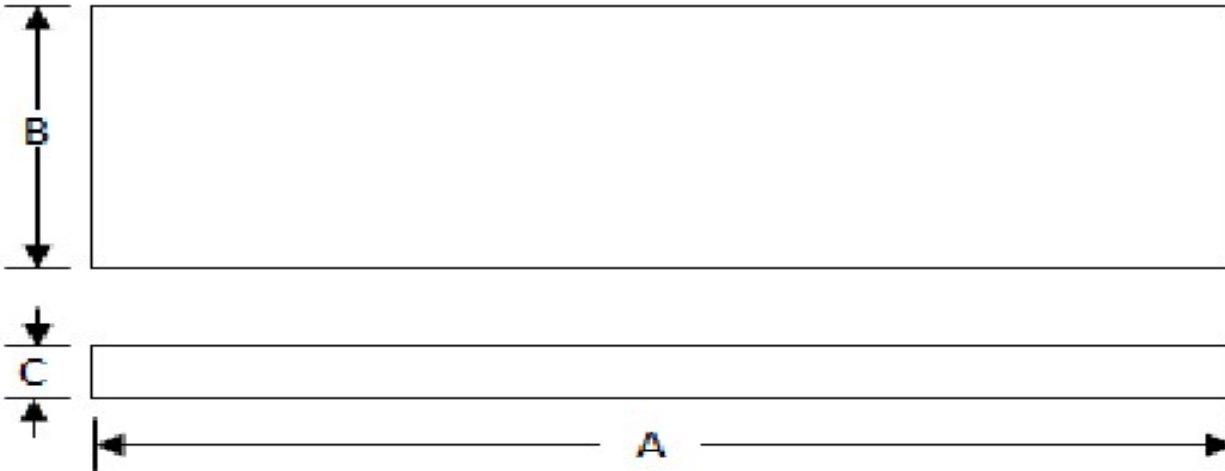
<b>Flush Hearth No Grout Line</b>	A	B	C	D	E	F	G	H	I	J	K
FHNG 56-18-2	56	18	2	N/A	N/A	N/A	N/A	N/A	N/A	N/A	N/A
FHNG 60-18-2	60	18	2	N/A	N/A	N/A	N/A	N/A	N/A	N/A	N/A
FHNG 66-20-2	66	20	2	N/A	N/A	N/A	N/A	N/A	N/A	N/A	N/A
FHNG 71-20-2 1/4	71	20	20 1/4	N/A	N/A	N/A	N/A	N/A	N/A	N/A	N/A

<b>GYPSUM</b>		
FHN 56-18-2	Flush Hearth No Grout Lines - 56" x 18" x 2" – Gypsum (110 LBS)	300
FHN 60-18-2	Flush Hearth No Grout Lines - 60" x 18" x 2" – Gypsum (125 LBS)	329
FHN 66-20-2	Flush Hearth No Grout Lines - 66" x 20" x 2" – Gypsum (145 LBS)	358
FHN 71-20-2 1/4	Flush Hearth No Grout Lines - 71" x 20" x 2 1/4" – Gypsum (145 LBS)	388
<b>STONE</b>		
FHN 56-18-2	Flush Hearth No Grout Lines - 56" x 18" x 2" – Stone (130 LBS)	480
FHN 60-18-2	Flush Hearth No Grout Lines - 60" x 18" x 2" – Stone (170 LBS)	526
FHN 66-20-2	Flush Hearth No Grout Lines - 66" x 20" x 2" – Stone (180 LBS)	572
FHN 71-20-2 1/4	Flush Hearth No Grout Lines - 71" x 20" x 2 1/4" – Stone (190 LBS)	621



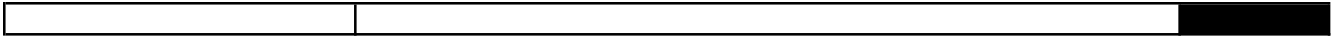
# Flush Hearth Square Edge

Note: One piece with no grout lines



<b>Flush Hearth No Grout Line</b>	A	B	C	D	E	F	G	H	I	J	K
FHSE 56-18-2	56	18	2	N/A	N/A	N/A	N/A	N/A	N/A	N/A	N/A
FHSE 60-18-2	60	18	2	N/A	N/A	N/A	N/A	N/A	N/A	N/A	N/A
FHSE 60-20-2	60	20	2	N/A	N/A	N/A	N/A	N/A	N/A	N/A	N/A
FHSE 66-18-2	66	20	2	N/A	N/A	N/A	N/A	N/A	N/A	N/A	N/A
FHSE 66-20-2	66	20	2	N/A	N/A	N/A	N/A	N/A	N/A	N/A	N/A
FHSE 71-20-2 1/4	71	20	2 1/4	N/A	N/A	N/A	N/A	N/A	N/A	N/A	N/A
FHSE ADJ 2	90	24	2 1/4	N/A	N/A	N/A	N/A	N/A	N/A	N/A	N/A

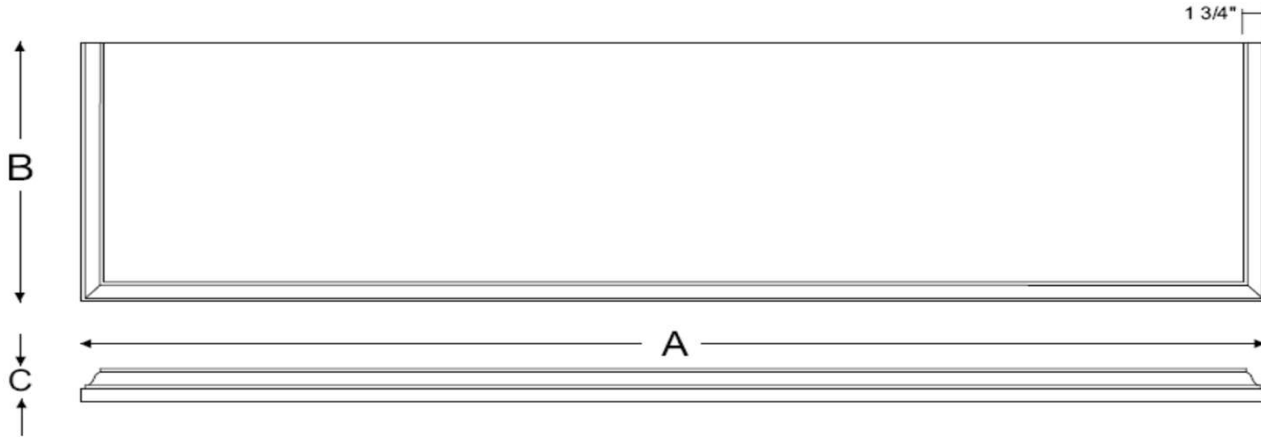
<b>GYPSUM</b>		
FH 51-18-2	Flush Hearth - 51" x 18" x 2" – Gypsum	287
FHSE 56-18-2	Flush Hearth - 56" x 18" x 2" – Gypsum (110 LBS)	300
FHSE 60-18-2	Flush Hearth - 60" x 18" x 2" – Gypsum (125 LBS)	345
FHSE 60-20-2	Flush Hearth - 60" x 20" x 2" – Gypsum	345
FHSE 66-18-2	Flush Hearth - 66" x 18" x 2" – Gypsum (145 LBS)	358
FHSE 66-20-2	Flush Hearth - 66" x 20" x 2" – Gypsum (145 LBS)	358
FHSE 71-20-2 1/4	Flush Hearth - 71" x 20" x 2 1/4" – Gypsum (165 LBS)	388
FHSE ADJ	Flush Hearth Custom Length up to 90" x 24" x 2 1/4" – Gypsum	441
<b>STONE</b>		
FH 51-18-2	Flush Hearth - 51" x 18" x 2" – Stone	459
FH 56-18-2	Flush Hearth - 56" x 18" x 2" – Stone (130 LBS)	480
FH 60-18-2	Flush Hearth - 60" x 18" x 2" – Stone (170 LBS)	552
FH 60-20-2	Flush Hearth - 60" x 20" x 2" – Stone (140 LBS)	551
FH 66-18-2	Flush Hearth - 66" x 18" x 2" – Stone (170 LBS)	573
FH 66-20-2	Flush Hearth - 66" x 20" x 2" – Stone (170 LBS)	573
FH 71-20-2 1/4	Flush Hearth - 71" x 20" x 2 1/4" – Stone (180 LBS)	621
FHSE ADJ	Flush Hearth Custom Length up to 90" x 24" x 2 1/4" – Stone	706



# 2 1/4" Flush Hearth Custom

## Custom Length Flush Hearth FH A78 & A90

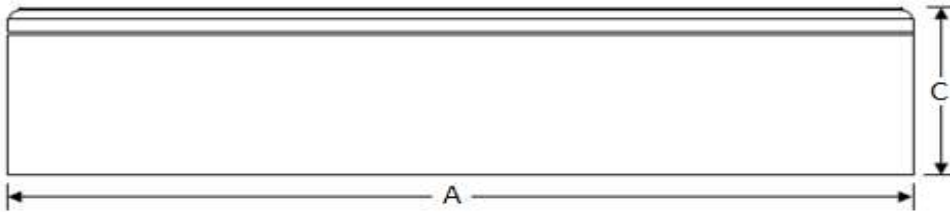
Note: One piece adjustable without grout lines



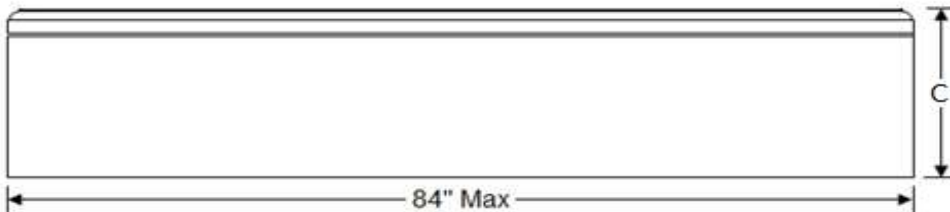
Flush Hearth	A	B	C	D	E	F	G	H	I	J	K	Min. Hearth Size
FH A78-20-2 1/4	78	20	2 1/4	N/A	N/A	N/A	N/A	N/A	N/A	N/A	N/A	N/A
FH A90-25 1/2-2 1/4	90	25 1/2	2 1/4	N/A	N/A	N/A	N/A	N/A	N/A	N/A	N/A	N/A

GYPSUM		
FH A78	Flush Hearth Custom Length up to 78" x 20" x 2 1/4" – Gypsum	393
FH A90	Flush Hearth Custom Length up to 90" x 25 1/2" x 2 1/4" – Gypsum	441
STONE		
FH A78	Flush Hearth Custom Length up to 78" x 20" x 2 1/4" – Stone	629
FH A90	Flush Hearth Custom Length up to 90" x 25 1/2" x 2 1/4" – Stone	706

# Raised Hearth 8" Deep



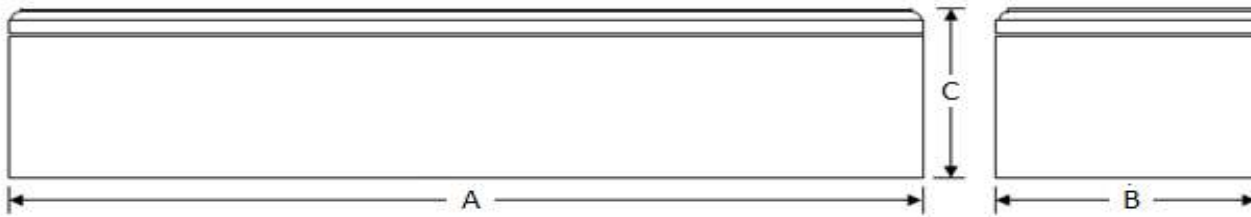
RH 52-6, RH 56-8; RH 60-8; RH 66-8



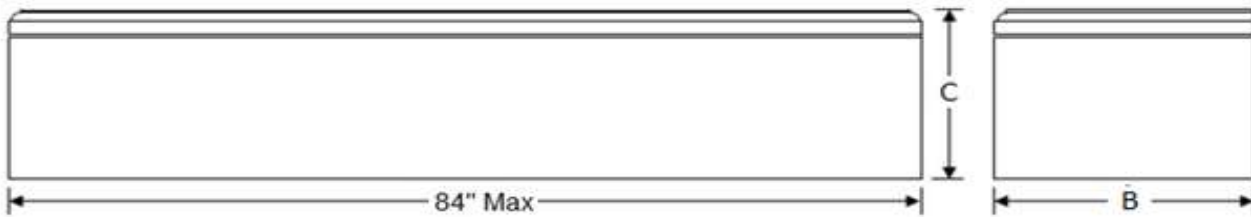
<b>Raised Hearth</b>	A	B	C	D	E	F	G	H	I	J	K
RH 52-6	52	6	18	N/A	N/A	N/A	N/A	N/A	N/A	N/A	N/A
RH 56-8	56	8	18	N/A	N/A	N/A	N/A	N/A	N/A	N/A	N/A
RH 60-8	60	8	18	N/A	N/A	N/A	N/A	N/A	N/A	N/A	N/A
RH 66-8	66	8	18	N/A	N/A	N/A	N/A	N/A	N/A	N/A	N/A
RH 71-8	71	8	18	N/A	N/A	N/A	N/A	N/A	N/A	N/A	N/A
RH ADJ 96-8	up to 96	8	24	N/A	N/A	N/A	N/A	N/A	N/A	N/A	N/A

<b>GYPSUM</b>		
RH 52-6	Raised Hearth 52" x 6" x 18" – Gypsum	317
RH 56-8	Raised Hearth 56" x 8" x 18" – Gypsum	330
RH 60-8	Raised Hearth 60" x 8" x 18" – Gypsum	362
RH 66-8	Raised Hearth 66" x 8" x 18" – Gypsum	395
RH 71-8	Raised Hearth 71" x 8" x 26" – Gypsum	433
RH A to 96-8	Raised Hearth Custom Length to 96" x 8" x 24" – Gypsum	542
<b>STONE</b>		
RH 52-6	Raised Hearth 52" x 6" x 18" – Stone (130 LBS)	507
RH 56-8	Raised Hearth 56" x 8" x 18" – Stone (130 LBS)	528
RH 60-8	Raised Hearth 60" x 8" x 18" – Stone	580
RH 66-8	Raised Hearth 66" x 8" x 18" – Stone	580
RH 71-8	Raised Hearth 71" x 8" x 26" – Stone	632
RH A to 96-8	Raised Hearth Custom Length to 96" x 8" x 24" – Stone	693

# Raised Hearth 16" Deep



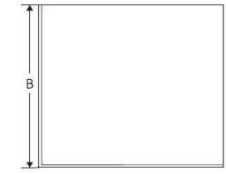
RH 56-16; RH 60-16; RH 66-16



<b>Raised Hearth</b>	A	B	C	D	E	F	G	H	I	J	K
RH 56-16	56	16	18	N/A	N/A	N/A	N/A	N/A	N/A	N/A	N/A
RH 60-16	60	16	18	N/A	N/A	N/A	N/A	N/A	N/A	N/A	N/A
RH 66-16	66	16	18	N/A	N/A	N/A	N/A	N/A	N/A	N/A	N/A
RH ADJ 96-24	up to 96	24	24	N/A	N/A	N/A	N/A	N/A	N/A	N/A	N/A

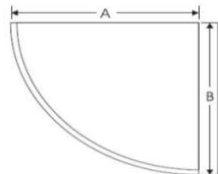
<b>GYPSUM</b>		
RH 56-16	Raised Hearth 56" x 16" x 18" – Gypsum	495
RH 60-16	Raised Hearth 60" x 16" x 18" – Gypsum	543
RH 66-16	Raised Hearth 66" x 16" x 18" – Gypsum	592
RH A to 96-24	Raised Hearth Custom Length to 96" x 24" x 24" – Gypsum	771
<b>STONE</b>		
RH 56-16	Raised Hearth 56" x 16" x 18" – Stone (165 lbs.)	793
RH 60-16	Raised Hearth 60" x 16" x 18" – Stone (218 LBS)	868
RH 66-16	Raised Hearth 66" x 16" x 18" – Stone	948
RH A to 96-24	Raised Hearth Custom Length to 96" x 24" x 24" – Stone	1,233

# Hearth Tiles 1"

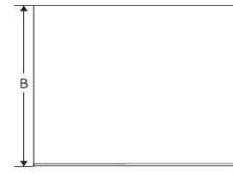


117

1" Hearth Tile Corner



1" Hearth Tile Corner Radius



1" Hearth Tile Center

24" represents the panel size before the edge detail.

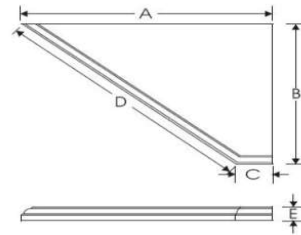
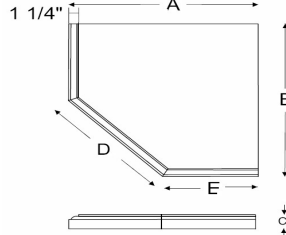
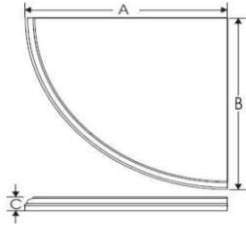
Hearth Tiles	A	B	C	D	E	F	G	H	I	J	K	Min. Hearth Size
HT COR-1	24	24	1	N/A	N/A	N/A	N/A	N/A	N/A	N/A	N/A	N/A
HT COR RAD-1	24	24	1	N/A	N/A	N/A	N/A	N/A	N/A	N/A	N/A	N/A
HT CEN-1	24	24	1	N/A	N/A	N/A	N/A	N/A	N/A	N/A	N/A	N/A
HT FIL-1	24	24	1	N/A	N/A	N/A	N/A	N/A	N/A	N/A	N/A	N/A

GYPSUM		
HT COR-1	Hearth Tile Corner - 1" - Gypsum	130
HT COR RAD-1	Hearth Tile Corner Radius - 1" - Gypsum	130
HT CEN-1	Hearth Tile Center - 1" - Gypsum	130
HT FIL-1	Hearth Tile Filler - 24" x 24" x 1" - Gypsum (NO EDGE DETAIL)	130
STONE		
HT COR-1	Hearth Tile Corner - 1" - Stone (45 LBS)	207
HT COR RAD-1	Hearth Tile Corner Radius - 1" - Stone (45 LBS)	207
HT CEN-1	Hearth Tile Center - 1" - Stone (45 LBS)	207
HT FIL-1	Hearth Tile Filler - 24" x 24" x 1" - Stone (NO EDGE DETAIL)	207

# Hearth Tiles 2"



017



2" Hearth Tile Corner

2" Hearth Tile Corner Radius

2" Hearth Tile Corner Clipped

2" Hearth Tile 45o Corner  
Left Shown, Right Available



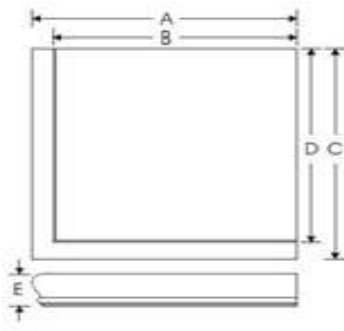
2" Hearth Tile Center

24" represents the panel size before the edge detail.

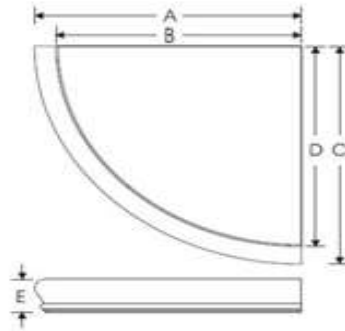
Hearth Tiles	A	B	C	D	E	F	G	H	I	J	K	Min. Hearth Size
HT COR-2	25	25	2	N/A	N/A	N/A	N/A	N/A	N/A	N/A	N/A	N/A
HT COR RAD-2	25	25	2	N/A	N/A	N/A	N/A	N/A	N/A	N/A	N/A	N/A
HT COR CLP-2	24	24	2	17	12	N/A	N/A	N/A	N/A	N/A	N/A	N/A
HT COR-2 45 LT	48	24	4	34	2	N/A	N/A	N/A	N/A	N/A	N/A	N/A
HT COR-2 45 RT	48	24	4	34	2	N/A	N/A	N/A	N/A	N/A	N/A	N/A
HT CEN-2	24	25	2	N/A	N/A	N/A	N/A	N/A	N/A	N/A	N/A	N/A

GYPSUM		
HT COR-2	Hearth Tile Corner - 2" – Gypsum	130
HT COR RAD-2	Hearth Tile Corner Radius - 2" – Gypsum	130
HT COR CLP-2	Hearth Tile Corner Clipped - 2" - Gypsum	130
HT COR 45 LT-2	Hearth Tile Corner 45 Degree Left Tile - 2" – Gypsum	130
HT COR 45 RT-2	Hearth Tile Corner 45 Degree Right Tile - 2" – Gypsum	130
HT CEN-2	Hearth Tile Center - 2" – Gypsum (80 LBS)	130
HT FIL-2	Hearth Tile Filler - 24" x 24" x 2" – Gypsum	130
STONE		
HT COR-2	Hearth Tile Corner - 2" – Stone (80 LBS)	207
HT COR RAD-2	Hearth Tile Corner Radius - 2" – Stone (80 LBS)	207
HT COR CLP-2	Hearth Tile Corner Clipped - 2" – Stone	207
HT COR 45 LT-2	Hearth Tile Corner 45 Degree Left Tile - 2" – Stone	207
HT COR 45 RT-2	Hearth Tile Corner 45 Degree Right Tile - 2" – Stone	207
HT CEN-2	Hearth Tile Center - 2" – Stone (80 LBS)	207

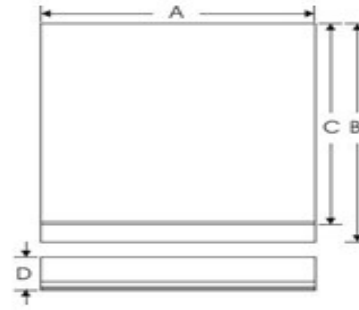
# Hearth Tiles w/Bull Nose



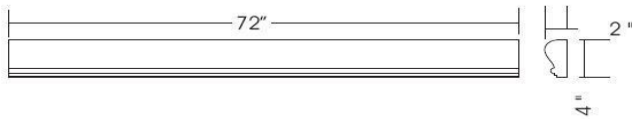
Corner Deck Panel



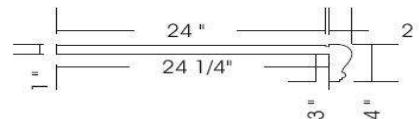
Radius Corner



Center Deck Panel



Bull Nose



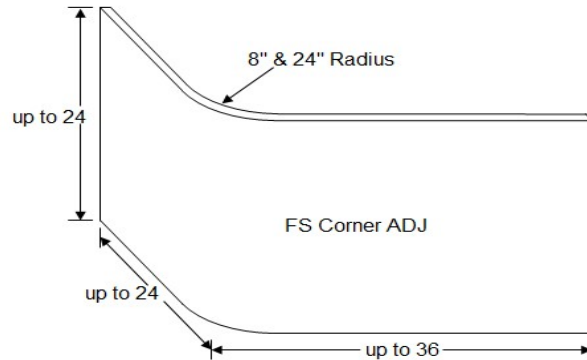
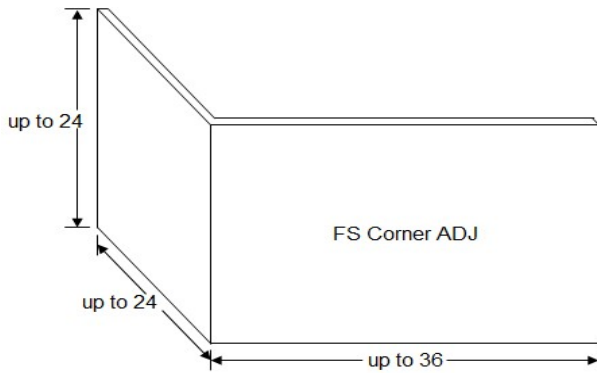
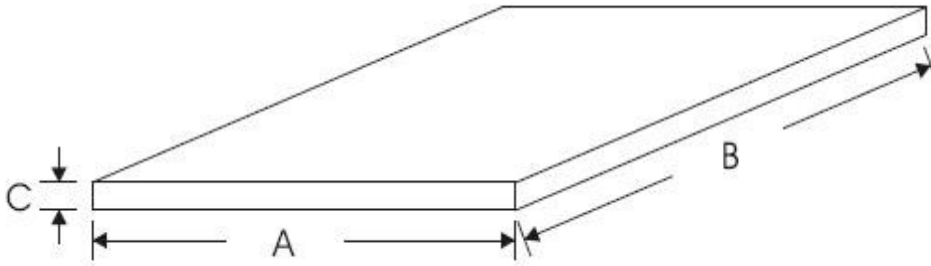
Bull Nose Detail

<b>Bull Nose Pieces</b>	A	B	C	D	E	F	G	H	I	J	K	Min. Hearth Size
RH BN COR	26 1/4	24 1/4	26 1/4	24 1/4	4	N/A	N/A	N/A	N/A	N/A	N/A	N/A
RH BN CEN	24	26 1/4	24 1/4	4	N/A	N/A	N/A	N/A	N/A	N/A	N/A	N/A
RH BN RAD COR	26 1/4	24 1/4	26 1/4	24 1/4	4	N/A	N/A	N/A	N/A	N/A	N/A	N/A

<b>GYPSUM</b>		
HT BUL COR	Hearth Tiles w/Bull Nose Corner - 24" x 24" – Gypsum	143
HT BUL COR RAD	Hearth Tiles w/Bull Nose Corner Radius - 24" x 24" – Gypsum	143
HT BUL CEN	Hearth Tiles w/Bull Nose Center Panel - 24" x 24" – Gypsum	143
HT BUL	Hearth Tiles w/Bull Nose Only - 4" x 48" – Gypsum	143
<b>STONE</b>		
HT BUL COR	Hearth Tiles w/Bull Nose Corner - 24" x 24" – Stone (60 LBS)	228
HT BUL COR RAD	Hearth Tiles w/Bull Nose Corner Radius - 24" x 24" – Stone	228
HT BUL CEN	Hearth Tiles w/Bull Nose Center Panel - 24" x 24" – Stone (60 LBS)	228
HT BUL	Hearth Tiles w/Bull Nose Only - 4" x 48" – Stone	228



# Flat Stock



Flat Stock 48"	A	B	Flat Stock 72"	A	B
FS 6-48-1"	6	48	FS 6-48-1"	6	72
FS 12-48-1"	12	48	FS 12-48-1"	12	72
FS 18-48-1"	18	48	FS 18-48-1"	18	72
FS 24-48-1"	24	48	FS 24-48-1"	24	72
FS 8-48-1 1/2	8	48	FS A 24-72-1	to 24	to 72

## 3/4 Inch to be discontinued

GYPSUM		
FS 6-48-3/4	Flat Stock - 6" x 48" x 3/4" - Gypsum (15 LBS)	56
FS 12-48-3/4	Flat Stock - 12" x 48" x 3/4" - Gypsum (30 LBS)	110
FS 18-48-3/4	Flat Stock - 18" x 48" x 3/4" - Gypsum	150
FS 24-48-3/4	Flat Stock - 24" x 48" x 3/4" - Gypsum	205
FS COR RAD 8	Flat Stock Corner Radius 8" - 24" x 36" x 3/4" - Gypsum	256
FS COR RAD 24	Flat Stock Corner Radius 24" - 24" x 36" x 3/4" - Gypsum	256
STONE		
FS 6-48-3/4	Flat Stock - 6" x 48" x 3/4" - Stone (15 LBS)	90
FS 12-48-3/4	Flat Stock - 12" x 48" x 3/4" - Stone (30 LBS)	176
FS 18-48-3/4	Flat Stock - 18" x 48" x 3/4" - Stone (50 LBS)	240
FS 24-48-3/4	Flat Stock - 24" x 48" x 3/4" - Stone	327
FS COR RAD 8	Flat Stock Corner Radius 8" - 24" x 36" x 3/4" - Stone	409
FS COR RAD 24	Flat Stock Corner Radius 24" - 24" x 36" x 3/4" - Stone	409

## New 1 Inch replacement

GYPSUM		
FS 6-48-1"	Flat Stock - 6" x 48" x 1" - Gypsum (15 LBS)	56
FS 12-48-1"	Flat Stock - 12" x 48" x 1" - Gypsum (30 LBS)	110
FS 18-48-1"	Flat Stock - 18" x 48" x 1" - Gypsum	150

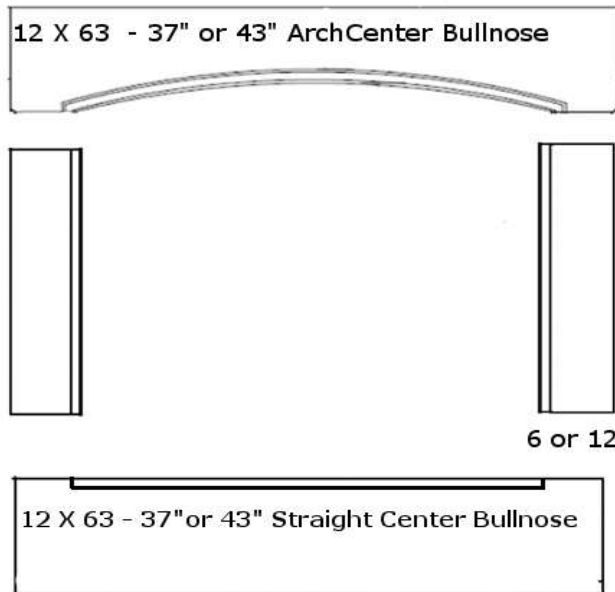
FS 24-48-1"	Flat Stock - 24" x 48" x 1" – Gypsum	205
FS 8-48-1 1/2	Flat Stock - 8" x 48" x 1 1/2" – Gypsum	69
FS 6-72-1"	Flat Stock - 6" x 72" x 1" – Gypsum	73
FS 12-72-1"	Flat Stock - 12" x 72" x 1" – Gypsum	143
FS 18-72-1"	Flat Stock - 18" x 72" x 1" – Gypsum	195
FS 24-72-1"	Flat Stock - 24" x 72" x 1" – Gypsum	266
FS 8-72-1 1/2	Flat Stock - 8" x 72" x 1 1/2" – Gypsum	89
FS A 24-72-1	Flat Stock Up. - 24" x 72" x 1" (max size, per square inch) – Gypsum	0.24
FS COR Up 24-36-1	Flat Stock Corner Custom Length - 24" x 24" x 36" – Gypsum	256
FS COR RAD 8	Flat Stock Corner Radius 8" - 24" x 36" x 1" – Gypsum	256
FS COR RAD 24	Flat Stock Corner Radius 24" - 24" x 36" x 1" – Gypsum	256
<b>STONE</b>		
FS 6-48-1"	Flat Stock - 6" x 48" x 1" – Stone (15 LBS)	90
FS 12-48-1"	Flat Stock - 12" x 48" x 1" – Stone (30 LBS)	176
FS 18-48-1"	Flat Stock - 18" x 48" x 1" – Stone (50 LBS)	240
FS 24-48-1"	Flat Stock - 24" x 48" x 1" – Stone	327
FS 8-48-1 1/2	Flat Stock - 8" x 48" x 1 1/2" – Stone	110
FS 6-72-1"	Flat Stock - 6" x 72" x 1" – Stone	117
FS 12-72-1"	Flat Stock - 12" x 72" x 1" – Stone	228
FS 18-72-1"	Flat Stock - 18" x 72" x 1" – Stone	312
FS 24-72-1"	Flat Stock - 24" x 72" x 1" – Stone	426
FS 8-72-1 1/2	Flat Stock - 8" x 72" x 1 1/2" – Stone	143
FS A 24-72-1	Flat Stock Up - 24" x 72" x 1" (max size, per square inch) – Stone	0.38
FS COR Up 24-36-1	Flat Stock Corner Custom Length - 24" x 24" x 36" – Stone	409
FS COR RAD 8	Flat Stock Corner Radius 8" - 24" x 36" x 1" – Stone	409
FS COR RAD 24	Flat Stock Corner Radius 24" - 24" x 36" x 1" – Stone	409

# Bull Nose Flat Stock

Can be used with any Surround. Shown here with the Torrance.



Bullnose Flatstock



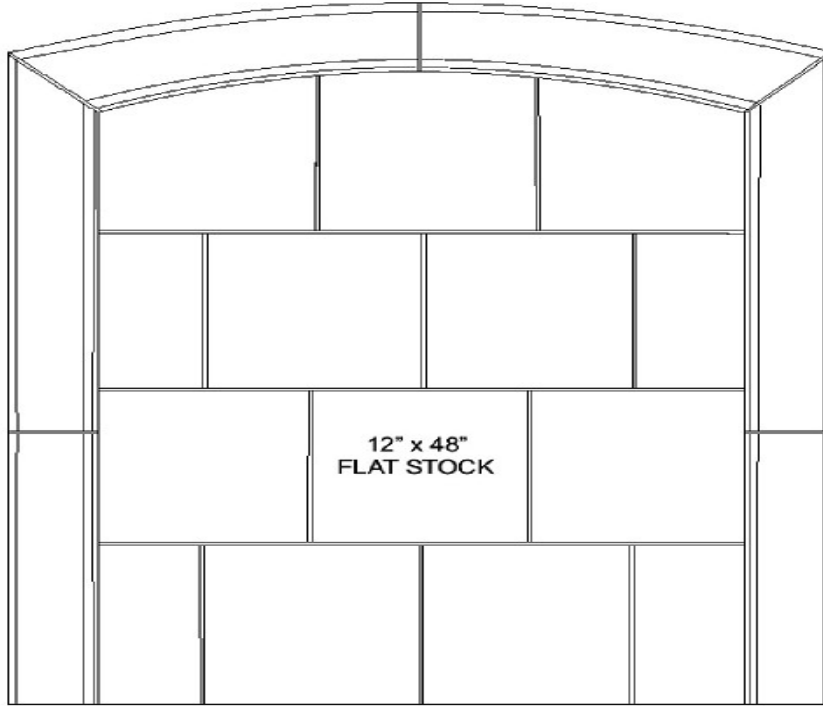
<b>GYPSUM</b>		
FSD BN ARCH 37	Bull Nose Arched 12" x 63" x 1" (37") Gypsum	120
FSD BN ARCH 43	Bull Nose Arched 12" x 63" x 1" (43") Gypsum	137
FSD BN STR 37	Bull Nose Straight 12" x 63" x 1" (37") Gypsum	150
FSD BN STR 43	Bull Nose Straight 12" x 63" x 1" (43") Gypsum	156
FSD BN LEG 6	Bull Nose Straight 6" x 48" x 1" Gypsum	65
FSD BN LEG 12	Bull Nose Straight 12" x 48" x 1" Gypsum	130
<b>STONE</b>		
FSD BN ARCH 37	Bull Nose Arched 12" x 63" x 1" (37") Stone	192
FSD BN ARCH 43	Bull Nose Arched 12" x 63" x 1" (43") Stone	219
FSD BN STR 37	Bull Nose Straight 12" x 63" x 1" (37") Stone	240
FSD BN STR 43	Bull Nose Straight 12" x 63" x 1" (43") Stone	250
FSD BN LEG 6	Bull Nose Straight 6" x 48" x 1" Stone	104
FSD BN LEG 12	Bull Nose Straight 12" x 48" x 1" Stone	207

**HEARTHCO INC.**  
MANUFACTURERS OF PRECAST & WOOD PRODUCTS

# Precast OverMantels

# *Santa Barbara Trim Flat Stock*

## Fireplace Over Mantel



**NOTE:**

The pricing and materials listed will supply enough material to create this Over Mantel up to 60" tall by 60" wide maximum.

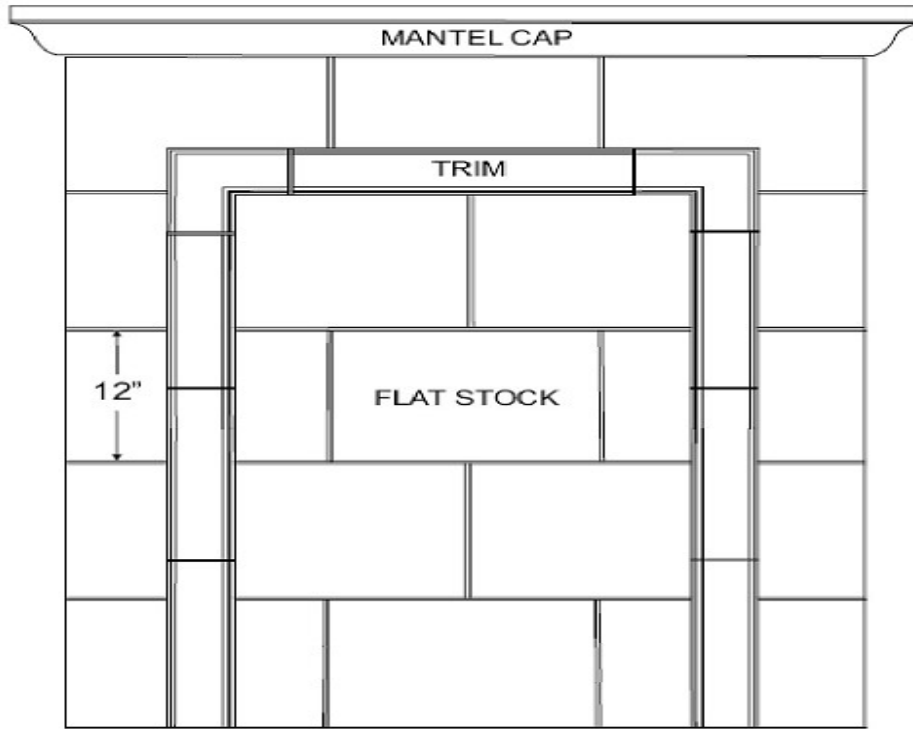
**NOTE:**

These Over Mantels are assembled with various parts. All items are sold separately. Notice the quantity next to the item number. The MSRP takes into count the total number of parts to accomplish the over

<b>GYPSUM</b>		
SB TRIM 60 OM	Santa Barbara Trim - w/FS Overmantel	719
SB TRIM 60 OM	Santa Barbara Trim - w/FS Overmantel	1,150

# *Santa Barbara Trim w Pinnacle Cap*

## Fireplace Over Mantel



**NOTE:**

The pricing and materials listed will supply enough material to create this Over Mantel up to 66" tall by 72" wide maximum.

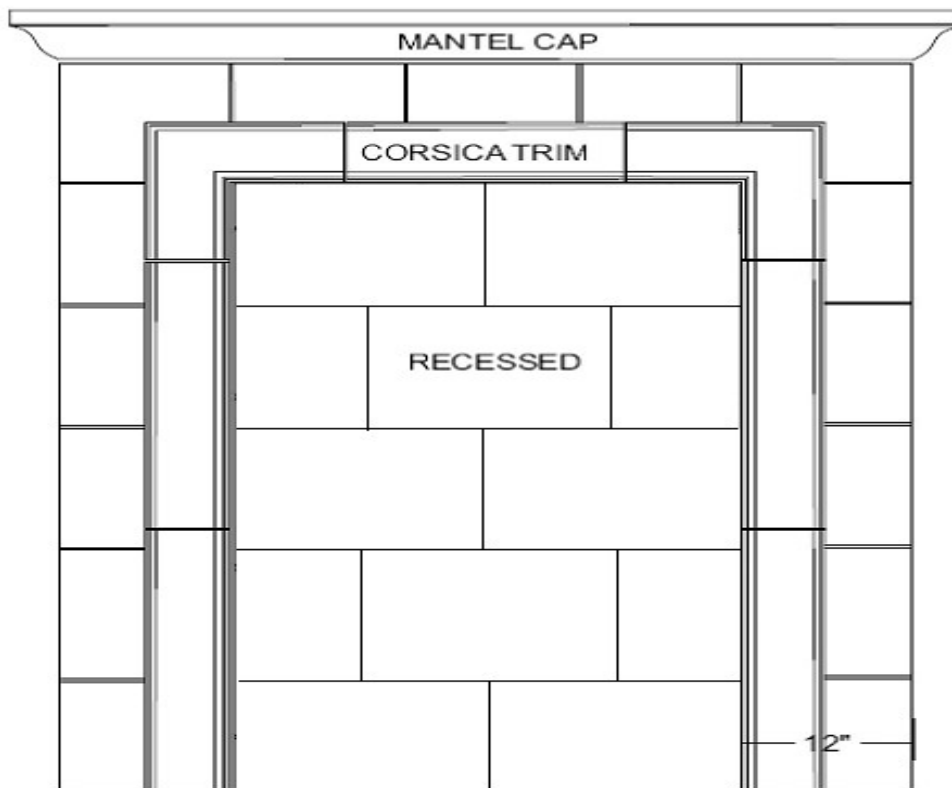
**NOTE:**

These Over Mantels are assembled with various parts. All items are sold separately. Notice the quantity next to the item number. The MSRP takes into count the total number of parts to accomplish the over mantel shown above

<b>GYPSUM</b>		
SB w/PIN OM	Santa Barbara Trim w Pinnacle Cap Overmantel -Gypsum	2,059
<b>STONE</b>		
SB w/PIN OM	Santa Barbara Trim w Pinnacle Cap Overmantel - Stone	3,295

# *Corsica/Plateau Trim with Pinnacle Cap*

## Fireplace Over Mantel



**NOTE:**

The pricing and materials listed will supply enough material to create this Over Mantel up to 66" tall by 72" wide maximum.

<b>GYPSUM</b>		
COR Overmantel	Corsica/Plateau Trim with Pinnacle Cap Overmantel -Gypsum	2,920
<b>STONE</b>		
Bel Air	Corsica/Plateau Trim with Pinnacle Cap Overmantel -Stone	4,672

# 3 IN Inlay

## Fireplace Over Mantel



3" INLAY TRIM OVERMANTEL

Includes 2 corners, 3 60" inlay trays, and, inlay fill of your choice

<b>GYPSUM</b>	
3 in OM	Specify inlay below
INL SK-3	Inlay - Standard Keystone - 3" x 58 3/8" – Gypsum
INL FDL-3	Inlay - Fleur de Lis - 3" x 58 3/8" – Gypsum
INL NGV-3	Inlay - Napa Grapevine - 3" x 58 3/8" – Gypsum
INL ARB-3	Inlay - Arabesque Scroll - 3" x 58 3/8" – Gypsum
INL PL-3	Inlay - Palm Leaf - 3" x 58 3/8" – Gypsum
INL EGG-3	Inlay - Egg and Dart - 3" x 48" – Gypsum
<b>STONE</b>	
3 in OM	Specify inlay below
INL SK-3	Inlay - Standard Keystone - 3" x 58 3/8" – Stone
INL FDL-3	Inlay - Fleur de Lis - 3" x 58 3/8" – Stone (10 LBS)
INL NGV-3	Inlay - Napa Grapevine - 3" x 58 3/8" – Stone
INL ARB-3	Inlay - Arabesque Scroll - 3" x 58 3/8" – Stone
INL PL-3	Inlay - Palm Leaf - 3" x 58 3/8" – Stone
INL EGG-3	Inlay - Egg and Dart - 3" x 48" – Stone





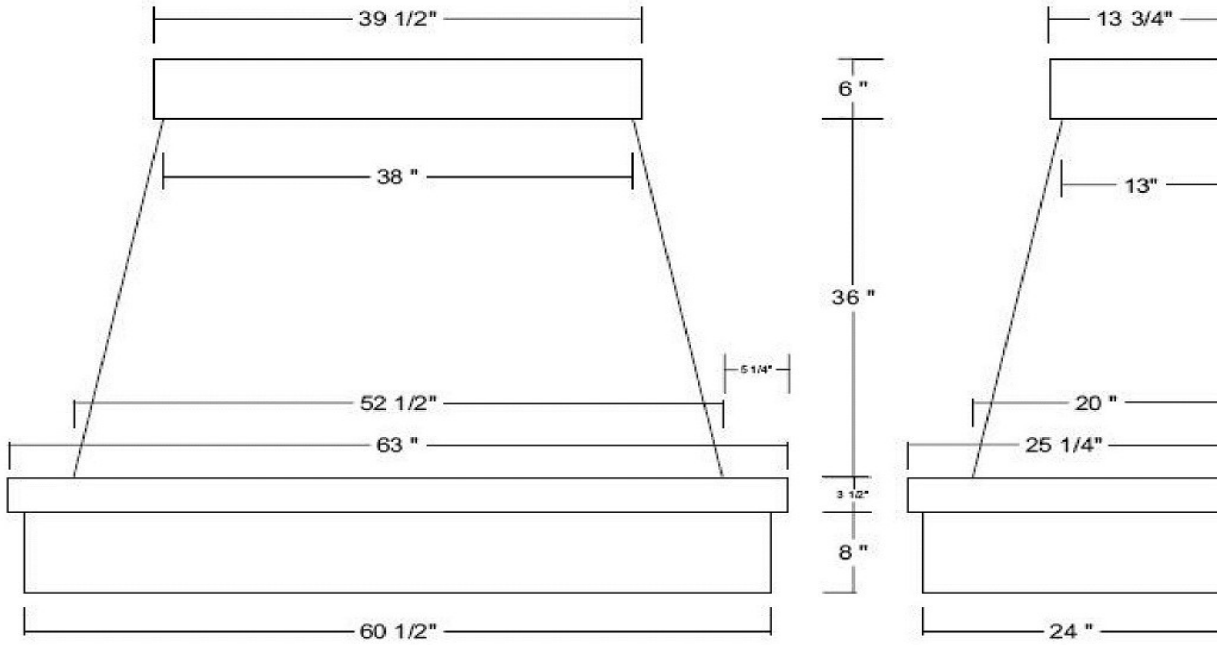
**HEARTHCO INC.**  
MANUFACTURERS OF PRECAST & WOOD PRODUCTS

# Precast Kitchen Hoods

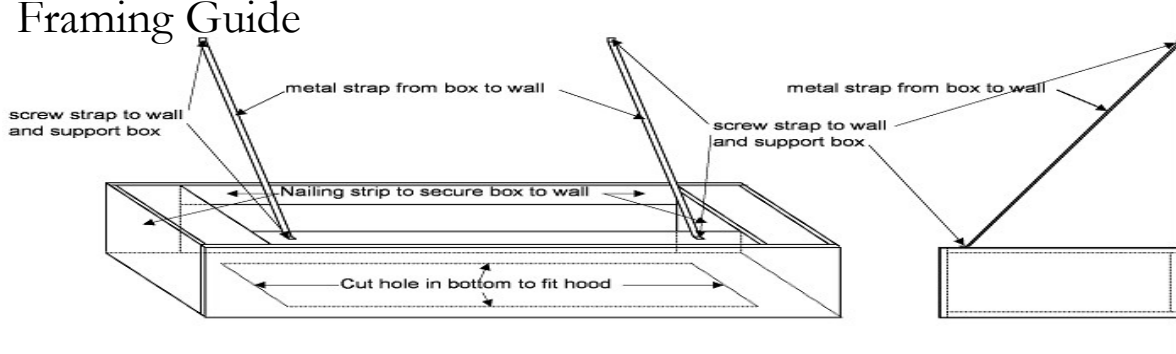


# San Jose

## Kitchen Hoods



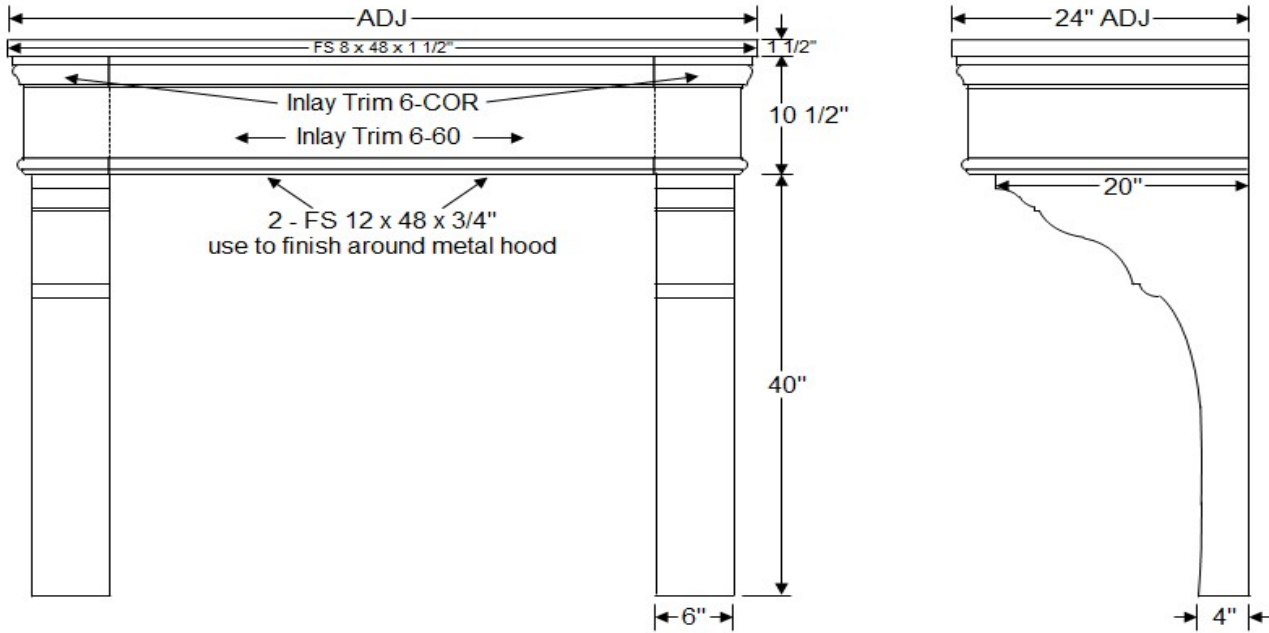
### Framing Guide



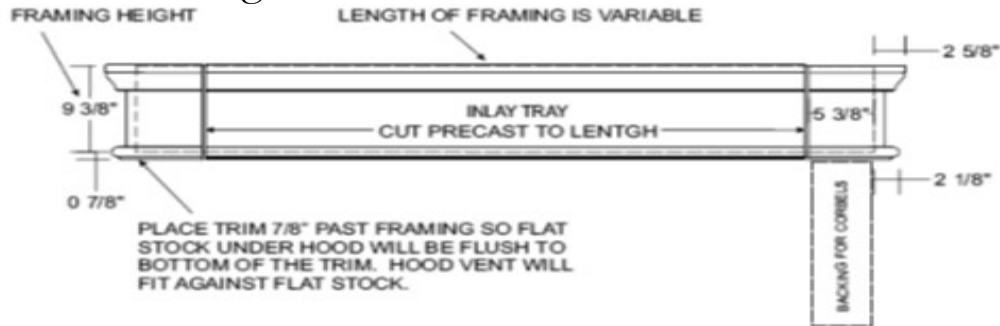
<b>GYPSUM</b>		
San Jose Hood	San Jose Kitchen Hood – Gypsum	2,100
<b>STONE</b>		
San Jose Hood	San Jose Kitchen Hood – Stone	3,360

# Sonoma

## Kitchen Hoods



### Framing Guide



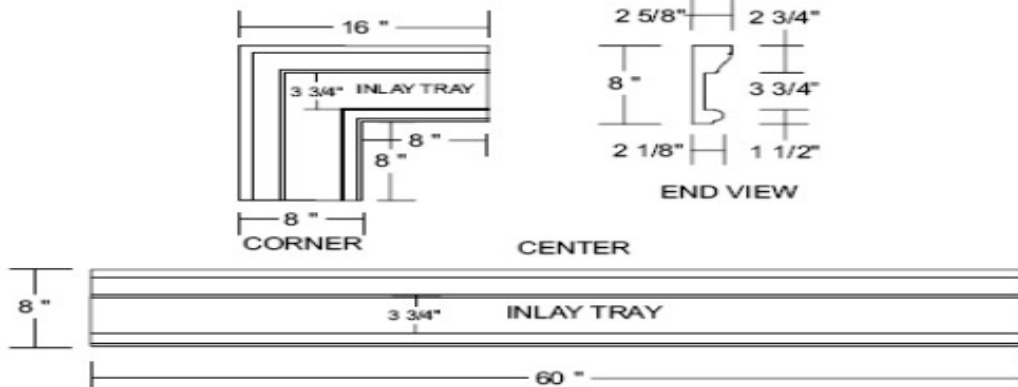
GYPSUM		
Sonoma Hood	Sonoma Kitchen Hood - Gypsum	1,769
STONE		
Sonoma Hood	Sonoma Kitchen Hood -	2,830

**HEARTHCO INC.**  
MANUFACTURERS OF PRECAST & WOOD PRODUCTS

# Precast Trim



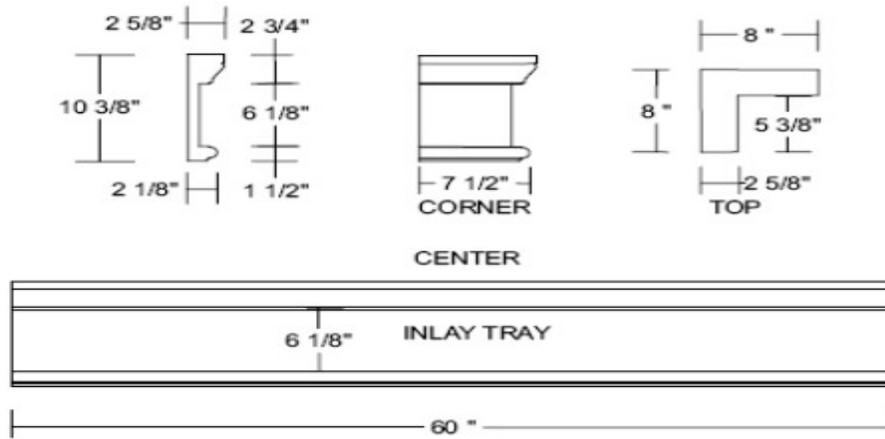
# 3" Inlay Trim



<b>GYPSUM</b>		
INL TRIM 3-60	Inlay Trim 3" - 8" x 60" – Gypsum	151
INL TRIM-3 COR	Inlay Trim 3" - Corner - 8" x 8" x 8" – Gypsum	167
INL SK-3	Inlay - Standard Keystone - 3" x 58 3/8" – Gypsum	82
INL FDL-3	Inlay - Fleur de Lis - 3" x 58 3/8" – Gypsum	82
INL NGV-3	Inlay - Napa Grapevine - 3" x 58 3/8" – Gypsum	82
INL ARB-3	Inlay - Arabesque Scroll - 3" x 58 3/8" – Gypsum	82
INL PL-3	Inlay - Palm Leaf - 3" x 58 3/8" – Gypsum	82
INL EGG-3	Inlay - Egg and Dart - 3" x 48" – Gypsum	82
<b>STONE</b>		
INL TRIM 3-60	Inlay Trim 3" - 8" x 60" – Stone	242
INL TRIM-3 COR	Inlay Trim 3" - Corner - 8" x 8" x 8" – Stone	268
INL SK-3	Inlay - Standard Keystone - 3" x 58 3/8" – Stone	132
INL FDL-3	Inlay - Fleur de Lis - 3" x 58 3/8" – Stone (10 LBS)	132
INL NGV-3	Inlay - Napa Grapevine - 3" x 58 3/8" – Stone	132
INL ARB-3	Inlay - Arabesque Scroll - 3" x 58 3/8" – Stone	132
INL PL-3	Inlay - Palm Leaf - 3" x 58 3/8" – Stone	132
INL EGG-3	Inlay - Egg and Dart - 3" x 48" – Stone	132

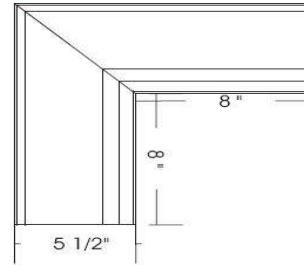


# 6" Inlay Trim

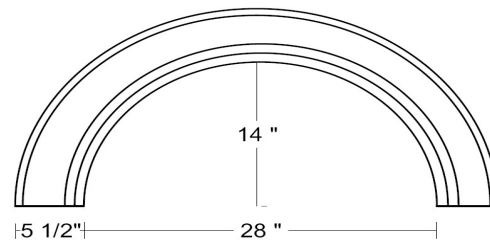
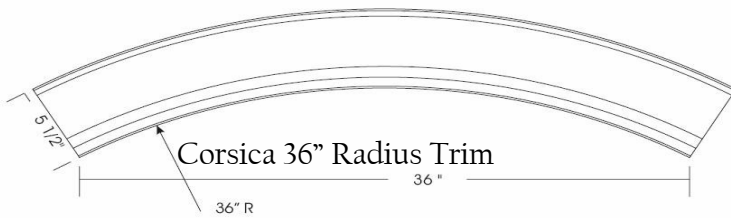
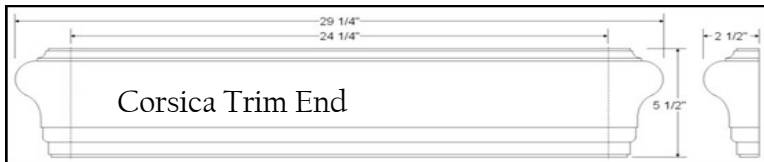


<b>GYPSUM</b>		
INL TRIM 6-60	Inlay Trim 6" - 10 3/8" x 60" – Gypsum	160
INL TRIM 6-COR	Inlay Trim 6" - Corner - 10 3/8" x 5 3/8" x 5 3/8" – Gypsum	175
	Inlay - Standard Keystone - 6" x 53" – Gypsum	102
INL FDL-6	Inlay - Fleur de Lis Keystone - 6" x 53" – Gypsum	102
INL NGV-6	Inlay - Napa Grape Vine 6" x 63" – Gypsum	102
INL ARB-6	Inlay - Arabesque Scroll 6" x 32 1/2" – Gypsum	102
INL LF-6	Inlay - Leaf 6" x 62" – Gypsum	102
INL ISTPNL-6	Inlay - Inset Panel 6" x 36" – Gypsum	77
<b>STONE</b>		
INL TRIM 6-60	Inlay Trim 6" - 10 3/8" x 60" – Stone	256
INL TRIM 6-COR	Inlay Trim 6" - Corner - 10 3/8" x 5 3/8" x 5 3/8" – Stone	280
INL SK-6	Inlay - Standard Keystone - 6" x 53" – Stone	164
INL FDL-6	Inlay - Fleur de Lis Keystone - 6" x 53" – Stone	164
INL NGV-6	Inlay - Napa Grape Vine 6" x 63" – Stone (25 LBS)	164
INL ARB-6	Inlay - Arabesque Scroll 6" x 32 1/2" – Stone	164
INL LF-6	Inlay - Leaf 6" x 62" – Stone	164
INL ISTPNL-6	Inlay - Inset Panel 6" x 36" – Stone	164

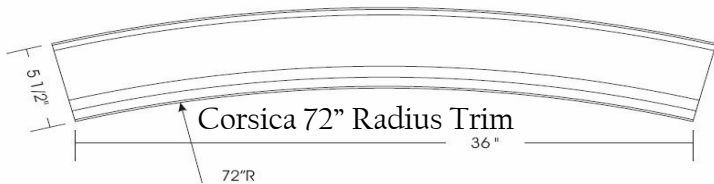
# Corsica Trim



Corsica Trim Corner



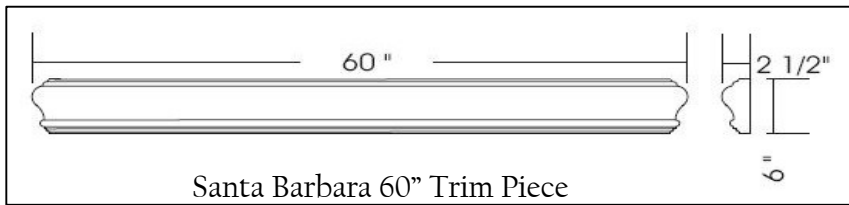
Corsica 14" Radius Trim



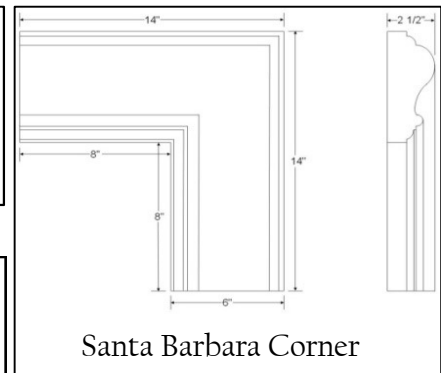
Adjustable radius Corsica Trim pieces from 50" to 60" radius's are also available.

<b>GYPSUM</b>		
COR TRIM 36	Corsica Trim - 5 1/2" x 36" – Gypsum	52
COR TRIM COR	Corsica Trim - Corner - 5 1/2" x 13 1/2" x 13 1/2" – Gypsum	52
COR TRIM END	Corsica Trim End 5 1/2" x 29 1/4" – Gypsum	61
COR TRIM 14R	Corsica Trim - 14" Radius - 5 1/2" x 28" – Gypsum	102
COR TRIM 36R	Corsica Trim - 36" Radius - 5 1/2" x 36" – Gypsum	52
COR TRIM 54R	Corsica Trim - 54" Radius - 5 1/2" x 36" – Gypsum	52
COR TRIM 72R	Corsica Trim - 72" Radius - 5 1/2" x 36" – Gypsum	52
<b>STONE</b>		
COR TRIM 36	Corsica Trim - 5 1/2" x 36" – Stone	84
COR TRIM COR	Corsica Trim - Corner - 5 1/2" x 13 1/2" x 13 1/2" – Stone	84
COR TRIM END	Corsica Trim End 5 1/2" x 29 1/4" – Stone	98
COR TRIM 14R	Corsica Trim - 14" Radius - 5 1/2" x 28" – Stone	84
COR TRIM 36R	Corsica Trim - 36" Radius - 5 1/2" x 36" – Stone	98
COR TRIM 54R	Corsica Trim - 54" Radius - 5 1/2" x 36" – Stone	164
COR TRIM 72R	Corsica Trim - 72" Radius - 5 1/2" x 41 1/2" – Stone	84

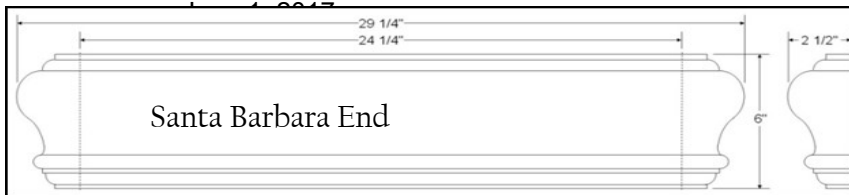
# Santa Barbara Trim



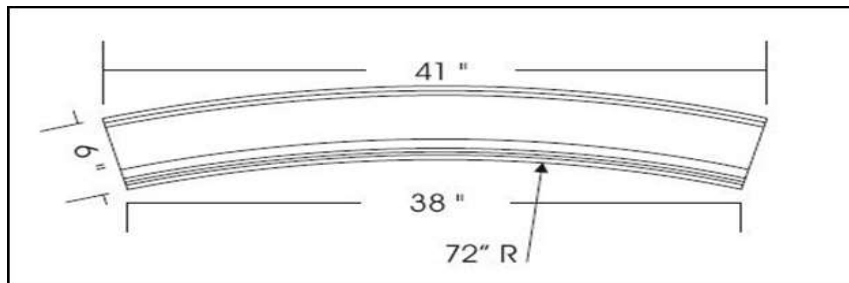
Santa Barbara 60" Trim Piece



Santa Barbara Corner



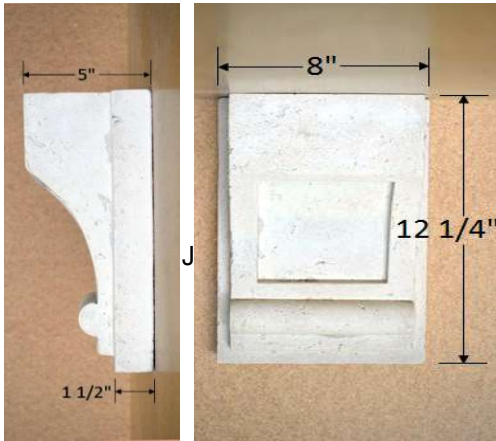
Santa Barbara End



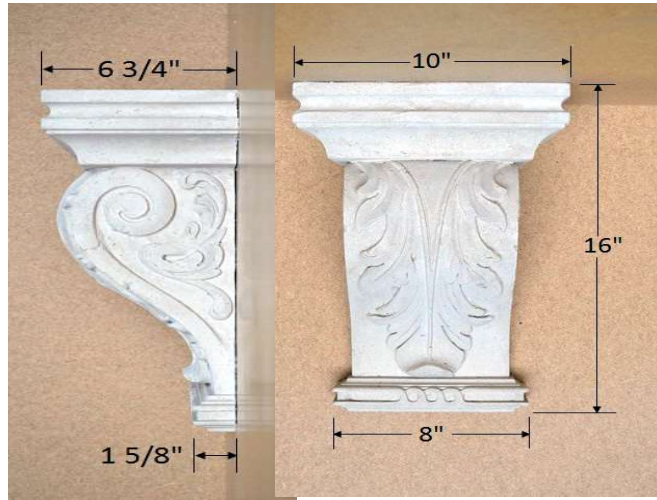
Santa Barbara Radius Trim

<b>GYPSUM</b>		
SB TRIM 60	Santa Barbara Trim - 6" x 60" – Gypsum	82
SB TRIM COR	Santa Barbara Trim - Corner - 6" x 14" x 14" – Gypsum	52
SB TRIM END	Santa Barbara Trim End 6" x 29 1/4" – Gypsum	62
SB TRIM 72R	Santa Barbara Trim - 72" Radius 6" x 38" – Gypsum	56
<b>STONE</b>		
SB TRIM 60	Santa Barbara Trim - 6" x 60" - Stone (45 LBS)	132
SB TRIM COR	Santa Barbara Trim - Corner - 6" x 14" x 14" – Stone	84
SB TRIM END	Santa Barbara Trim End 6" x 29 1/4" – Stone	100
SB TRIM 72R	Santa Barbara Trim - 72" Radius 6" x 38" – Stone (60 LBS)	90

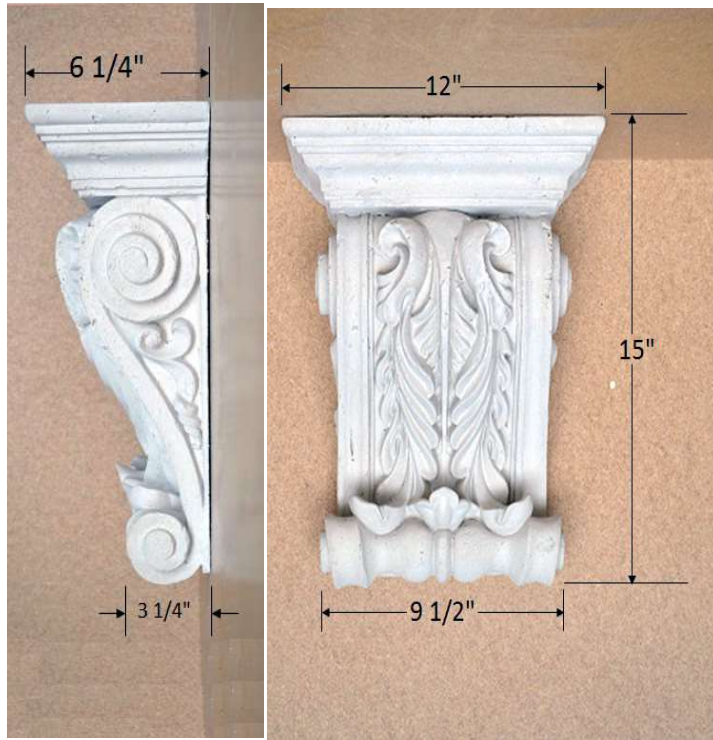
# Corbels



Pinnacle



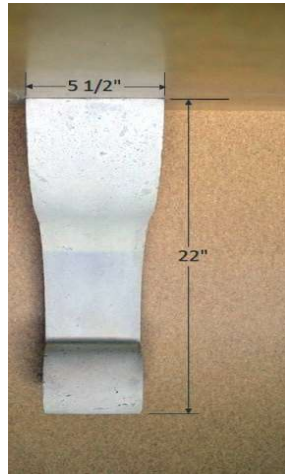
Summit



Castella

YPUM		
CBEL PIN	Corbel - Pinnacle - 12 1/4" x 5" x 8" – Gypsum	115
CBEL SUM	Corbel - Summit - 15 1/2" x 6 3/4" x 10" – Gypsum	145
CBEL CAS	Corbel - Castella - 14 1/2" x 6 1/2" x 12 1/4" – Gypsum	145
TONE		
CBEL PIN	Corbel - Pinnacle - 12 1/4" x 5" x 8" – Stone (20 LBS)	184
CBEL SUM	Corbel - Summit - 15 1/2" x 6 3/4" x 10" – Stone	232
CBEL CAS	Corbel - Castella - 14 1/2" x 6 1/2" x 12 1/4" – Stone	232

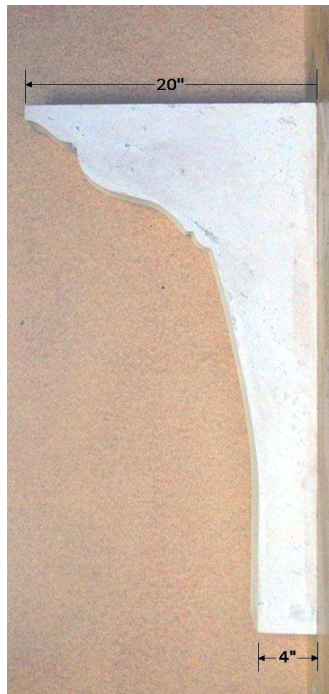
# Corbels



Traditional

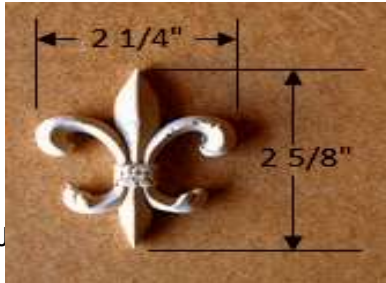
Napa Grape Vine

40-20-6

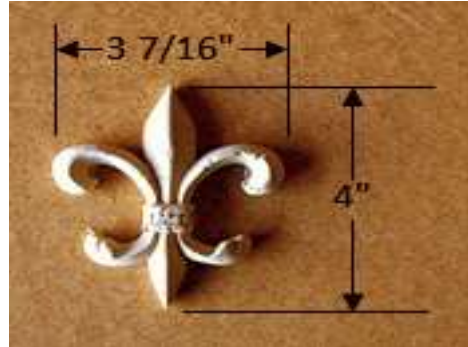


GYPSUM		
CBEL TRAD	Corbel - Traditional - 6 1/4" x 14 1/2" x 7 1/4" – Gypsum	145
CBEL NGV	Corbel - Napa Grape Vine 26 5/8" - 8 3/4" - 7 1/2" – Gypsum	175
CBEL 40-20-6	Corbel - 40" x 20" x 6" – Gypsum	145
STONE		
CBEL TRAD	Corbel - Traditional - 6 1/4" x 14 1/2" x 7 1/4" – Stone	232
CBEL NGV	Corbel - Napa Grape Vine 26 5/8" - 8 3/4" - 7 1/2" – Stone	280
CBEL 40-20-6	Corbel - 40" x 20" x 6" – Stone	232

# Appliques



3" Fleur de Lis



4" Fleur de Lis



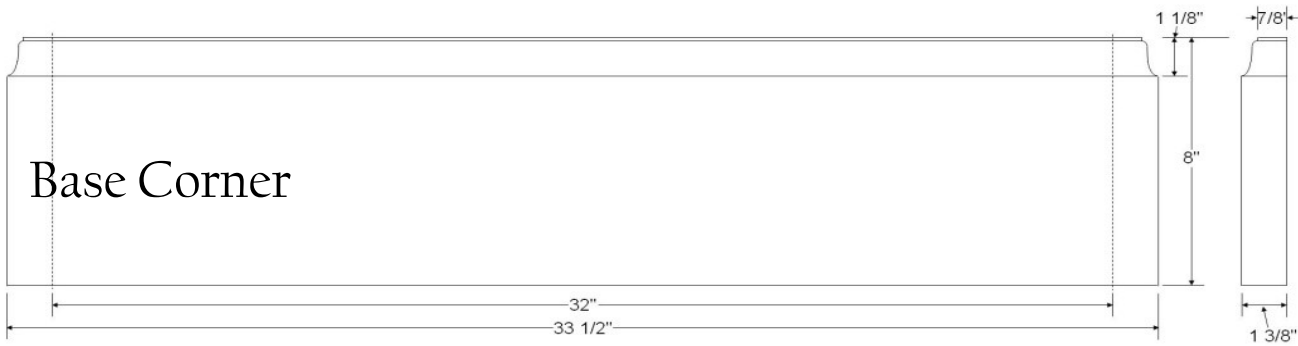
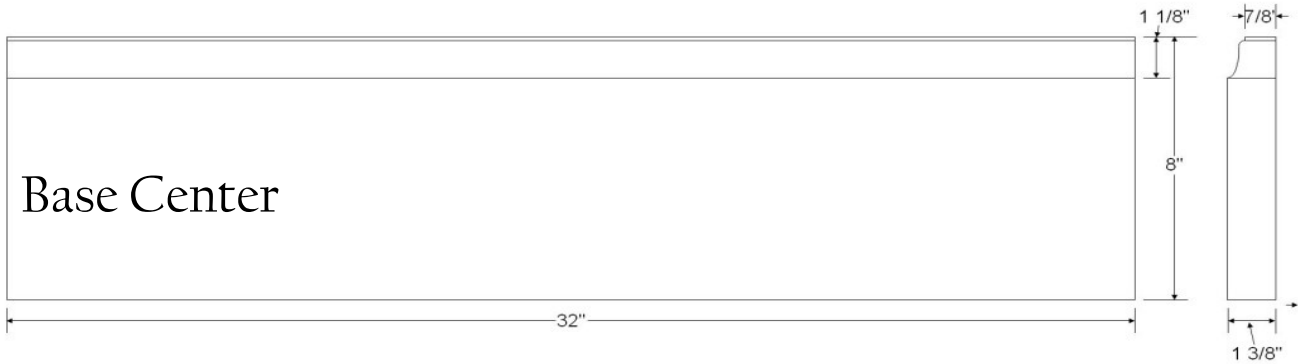
Rosebud



Summit

<b>GYPSUM</b>		
APP FDL-3	Appliques - Fleur de Lis - 2 3/4" x 2 1/4" x 3/8" - Gypsum	56
APP FDL-4	Appliques - Fleur de Lis - 4" x 3 1/2" x 1/2" - Gypsum	59
APP ROSEBUD	Appliques - Rosebud 15" x 4 1/2" x 1" - Gypsum	99
APP SUMMIT	Appliques - Summit - 36" x 6 1/2" x 1 1/8" - Gypsum	125
<b>STONE</b>		
APP FDL-3	Appliques - Fleur de Lis - 2 3/4" x 2 1/4" x 3/8" - Stone	90
APP FDL-4	Appliques - Fleur de Lis - 4" x 3 1/2" x 1/2" - Stone	94
APP ROSEBUD	Appliques - Rosebud 15" x 4 1/2" x 1" - Stone	158
APP SUMMIT	Appliques - Summit - 36" x 6 1/2" x 1 1/8" - Stone	200

# Base Trim



<b>GYPSUM</b>		
BASE COR 8-33.5	Base Corner 8" x 33 1/2" – Gypsum	68
BASE CEN 8-32	Base Center 8" x 32" – Gypsum	68
<b>STONE</b>		
BASE COR 8-33.5	Base Corner 8" x 33 1/2" – Stone	109
BASE CEN 8-32	Base Center 8" x 32" – Stone	109

# *Extended Plinth Blocks*

These are extended Plinth blocks used to extend the height of the surround

## **GYPSUM**

125

CASS PLINTH	Cassano plinth blocks to 24" (pair) - Gypsum
COR PLINTH	Corsica plinth blocks 24" (pair) - Gypsum
DUB PLINTH	Dublin plinth blocks to 24" (pair) - Gypsum
ESS PLINTH	Essex plinth blocks to 24" (pair) - Gypsum
GEO PLINTH	Georgetown plinth blocks to 24" (pair) - Gypsum
MAN PLINTH	Manchester plinth blocks to 24" (pair) - Gypsum
PAC PLINTH	Pacifica plinth blocks to 24" (pair) - Gypsum
POM PLINTH	Pomona plinth blocks to 24" (pair) - Gypsum
TIB PLINTH	Tiburon plinth blocks to 24" (pair) - Gypsum
WIN PLINTH	Windsor plinth blocks to 24" (pair) - Gypsum
Custom Plinth	H= W= - Gypsum

## **STONE**

200

CASS PLINTH	Cassano plinth blocks to 24" (pair) - Stone
COR PLINTH	Corsica plinth blocks 24" (pair) - Stone
DUB PLINTH	Dublin plinth blocks to 24" (pair) - Stone
ESS PLINTH	Essex plinth blocks to 24" (pair) - Stone
GEO PLINTH	Georgetown plinth blocks to 24" (pair) - Stone
MAN PLINTH	Manchester plinth blocks to 24" (pair) - Stone
PAC PLINTH	Pacifica plinth blocks to 24" (pair) - Stone
POM PLINTH	Pomona plinth blocks to 24" (pair) - Stone



TIB PLINTH	Tiburon plinth blocks to 24" (pair) - Stone
WIN PLINTH	Windsor plinth blocks to 24" (pair) - Stone
Custom Plinth	H= W= - Stone

Note you can specify a Custom rectangular plinth block up to 18" tall and 12"  
Unless otherwise requested it will have a bevel at the top to create a grout lin



wide.

e.

## Custom Stone color options

### Custom Finishes

add 15%	Tivoli
add 15%	Piatto (metroscapes only)

### Colors

Standard	Sahara Sand
add 3%	Clamshell
add 3%	Spanish Whit
add 3%	Stone Age
add 3%	Granite
add 3%	Slate
add 5%	Western White

### Solid Stains

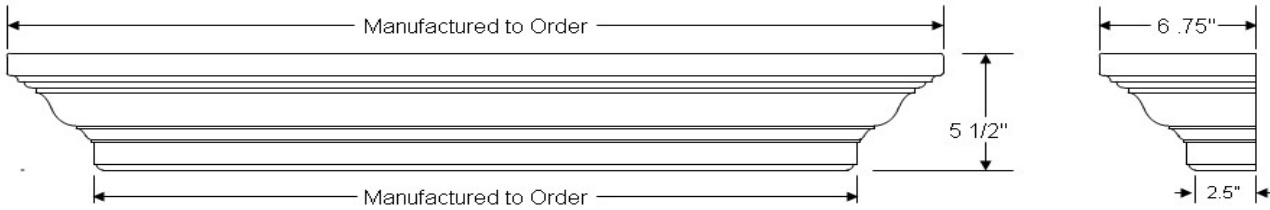
\$300	Black Onyx	Semi or High Gloss
\$300	Pearl Essence	Semi or High Gloss

**HEARTHCO INC.**  
MANUFACTURERS OF PRECAST & WOOD PRODUCTS

*Wood  
Caps/Shelves*

# Avalon

## Wood Shelf

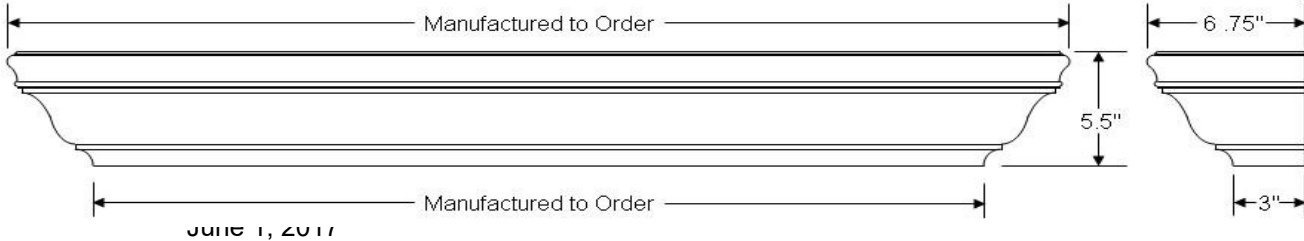


June 1, 2017

AVALON WOOD SHELF		
WC-AVA-PT	Avalon Wood Shelf PG	852
WC-AVA-OK	Avalon Wood Shelf Oak	1,006
WC-AVA-AD	Avalon Wood Shelf Alder	1,058
WC-AVA-MP	Avalon Wood Shelf Maple	1,125
WC-AVA-BC	Avalon Wood Shelf Beech	1,125
WC-AVA-CH	Avalon Wood Shelf Cherry	1,295

# Cambria

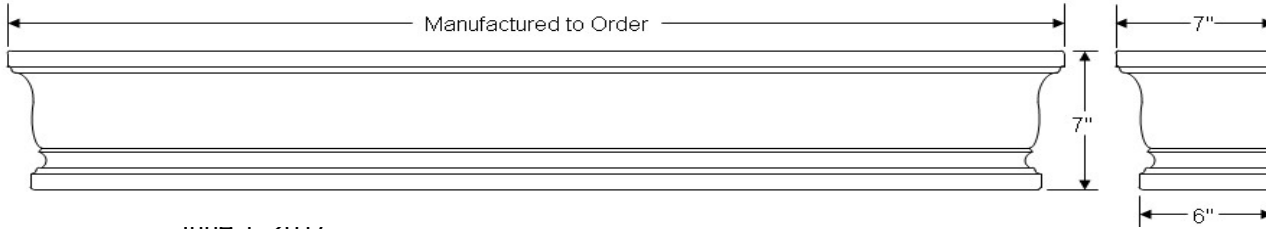
## Wood Shelf



CAMBRIA WOOD SHELF		MSRP
WC-CAM-PT	Cambria Wood Shelf PG	922
WC-CAM-OK	Cambria Wood Shelf Oak	1,039
WC-CAM-AD	Cambria Wood Shelf Alder	1,125
WC-CAM-MP	Cambria Wood Shelf Maple	1,176
WC-CAM-BC	Cambria Wood Shelf Beechwood	1,176
WC-CAM-CH	Cambria Wood Shelf Cherry	1,363

# *Elmar*

## Wood Shelf



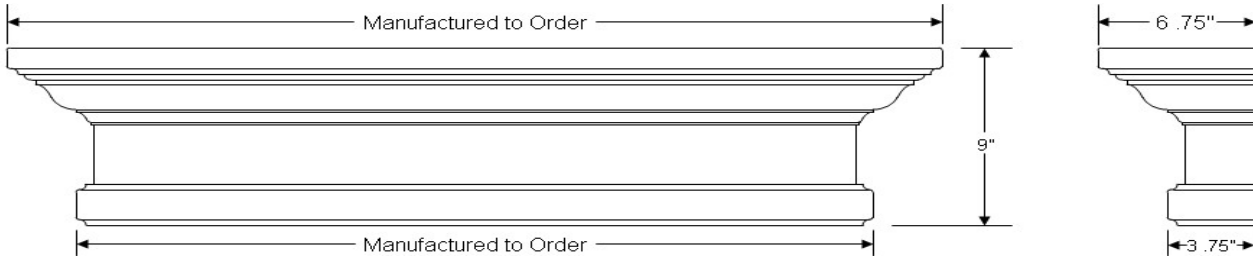
JUNE 1, 2017

<b>ELMAR WOOD SHELF</b>		
WC-ELM-PT	Elmar Wood Shelf PG	888
WC-ELM-OK	Elmar Wood Shelf Oak	1,023
WC-ELM-AD	Elmar Wood Shelf Alder	1,073
WC-ELM-MP	Elmar Wood Shelf Maple	1,176
WC-ELM-BC	Elmar Wood Shelf Beechwood	1,176
WC-ELM-CH	Elmar Wood Shelf Cherry	1,363



# *Imperial*

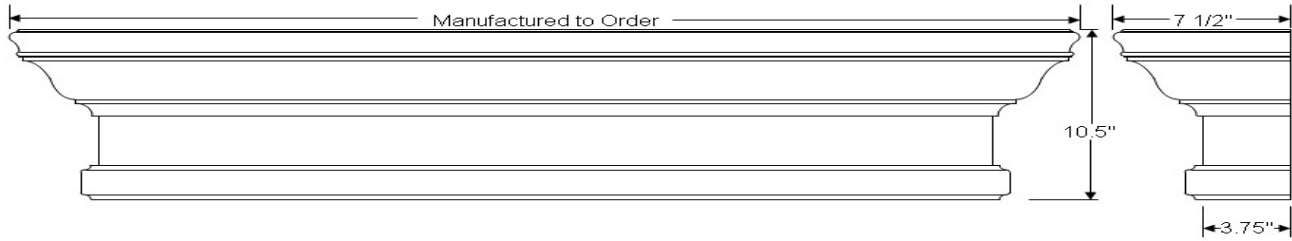
## Wood Shelf



IMPERIAL WOOD SHELF		
WC-IMP-PT	Imperial Wood Shelf PG	938
WC-IMP-OK	Imperial Wood Shelf Oak	1,058
WC-IMP-AD	Imperial Wood Shelf Alder	1,142
WC-IMP-MP	Imperial Wood Shelf Maple	1,228
WC-IMP-BC	Imperial Wood Shelf - Beechwood	1,228
WC-IMP-CH	Imperial Wood Shelf Cherry	1,398

# *Imperial Deluxe*

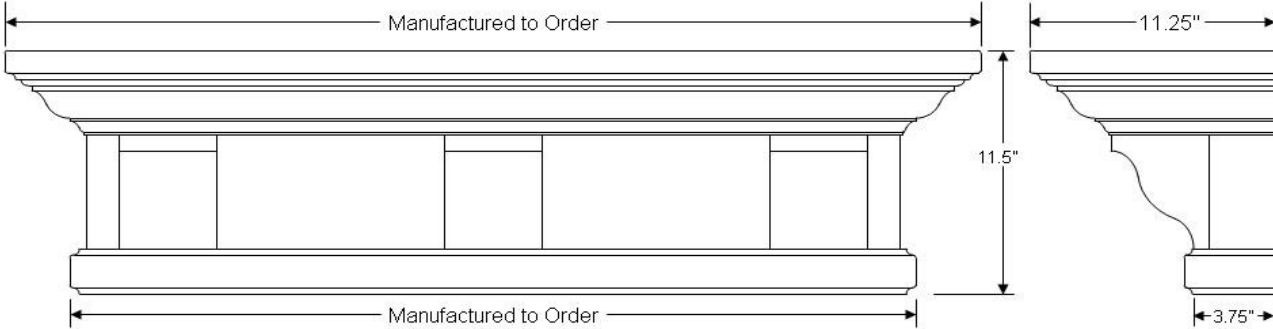
## Wood Shelf



IMPERIAL DLX WOOD SHELF		
WC-IMPDLX-PT	Imperial Deluxe Wood Shelf PG	1,039
WC-IMPDLX-OK	Imperial Deluxe Wood Shelf Oak	1,209
WC-IMPDLX-AD	Imperial Deluxe Wood Shelf Alder	1,278
WC-IMPDLX-MP	Imperial Deluxe Wood Shelf Maple	1,363
WC-IMPDLX-BC	Imperial Deluxe Wood Shelf Beechwood	1,363
WC-IMPDLX-CH	Imperial Deluxe Wood Shelf Cherry	1,568

# Waterford

## Wood Shelf



WATERFORD WOOD SHELF		
WC-WAT-PT	Waterford Wood Shelf PG	2,028
WC-WAT-OK	Waterford Wood Shelf Oak	2,317
WC-WAT-AD	Waterford Wood Shelf Alder	2,471
WC-WAT-MP	Waterford Wood Shelf Maple	2,658
WC-WAT-CH	Waterford Wood Shelf Cherry	3,067

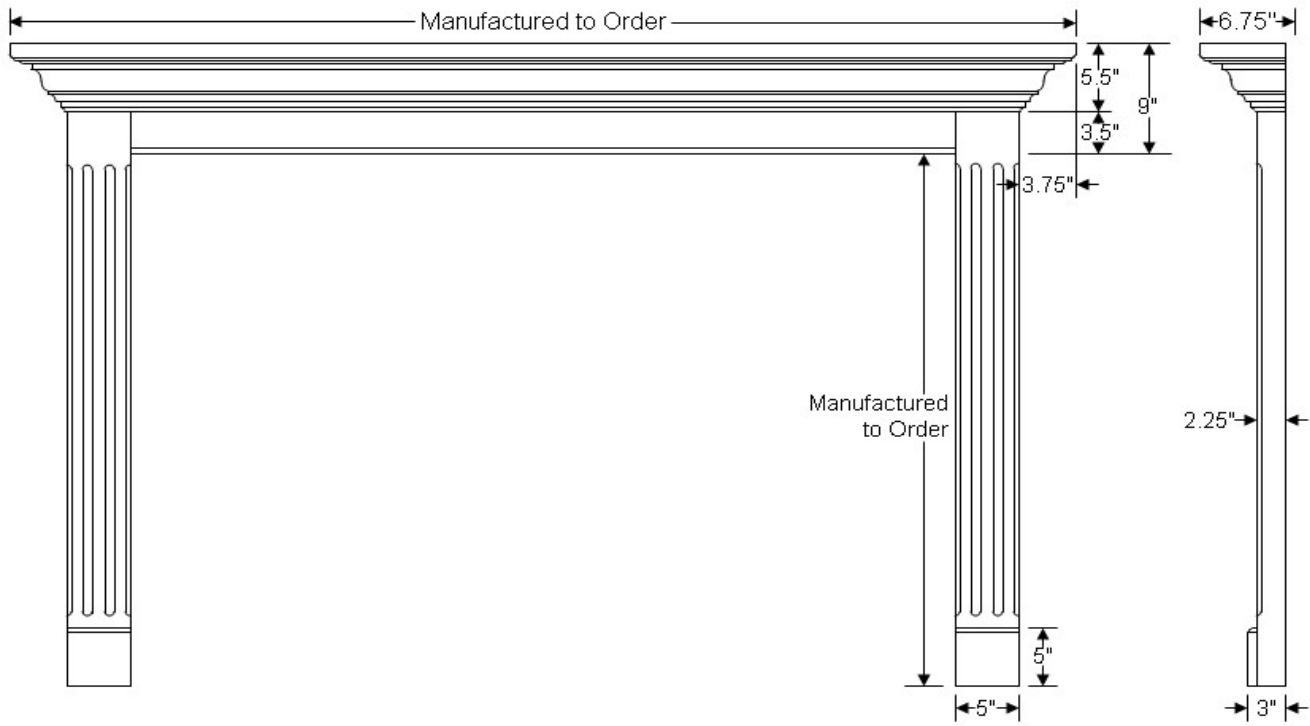
**HEARTHCO INC.**  
MANUFACTURERS OF PRECAST & WOOD PRODUCTS

*Wood  
Mantels*



# Avalon

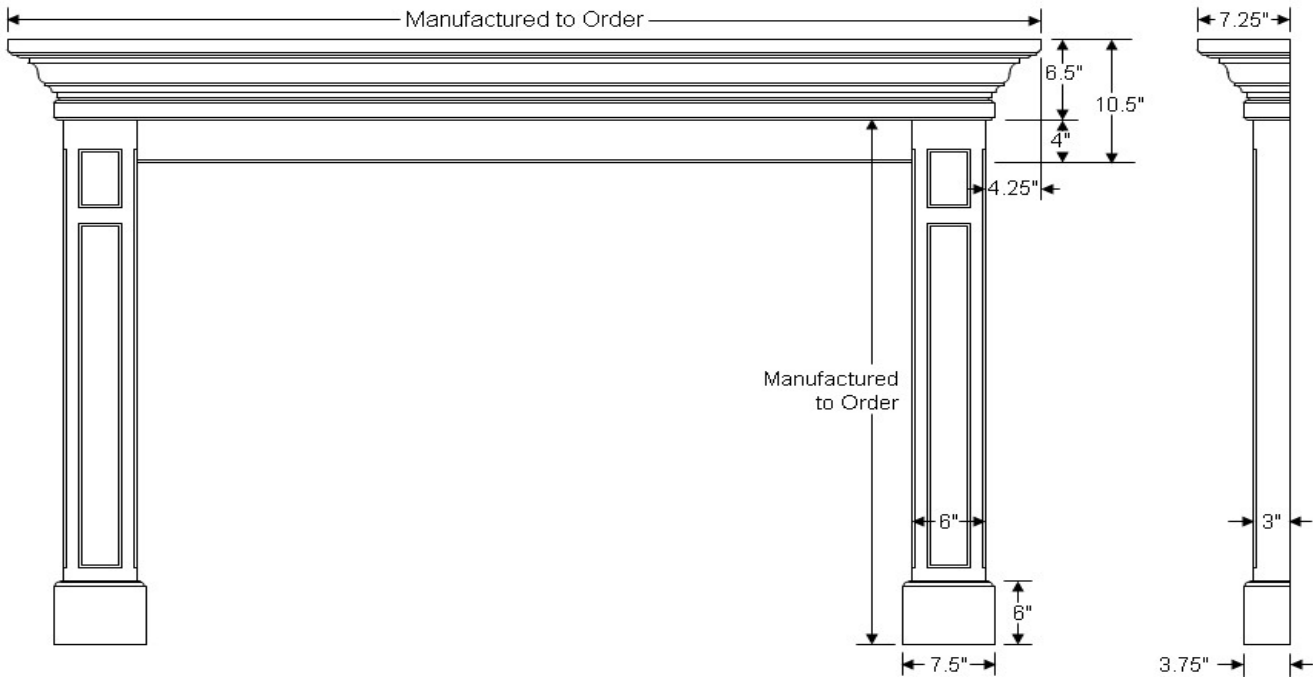
## Full Wood Mantel



AVALON WOOD MANTEL		
WS-AVA-PT	Avalon Wood Mantel PG	1,449
WS-AVA-OK	Avalon Wood Mantel Oak	2,181
WS-AVA-AD	Avalon Wood Mantel Alder	2,250
WS-AVA-MP	Avalon Wood Mantel Maple	2,317
WS-AVA-CH	Avalon Wood Mantel Cherry	2,727

# Beacon Hill

## Full Wood Mantel

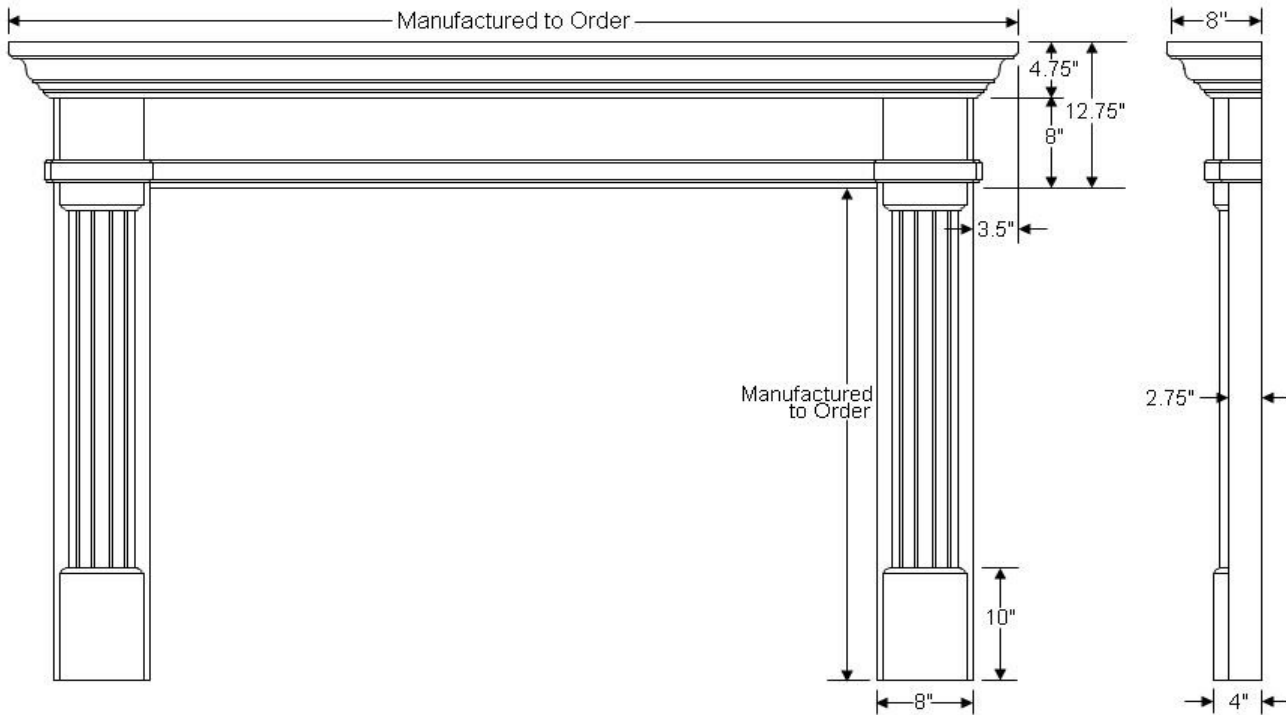


### BEACON HILL WOOD MANTEL

WS-BEA-PT	Beacon Hill Wood Mantel PG	1,841
WS-BEA-OK	Beacon Hill Wood Mantel Oak	2,761
WS-BEA-AD	Beacon Hill Wood Mantel Alder	2,863
WS-BEA-MP	Beacon Hill Wood Mantel Maple	2,947
WS-BEA-CH	Beacon Hill Wood Mantel Cherry	3,477

# Del Mar

## Full Wood Mantel

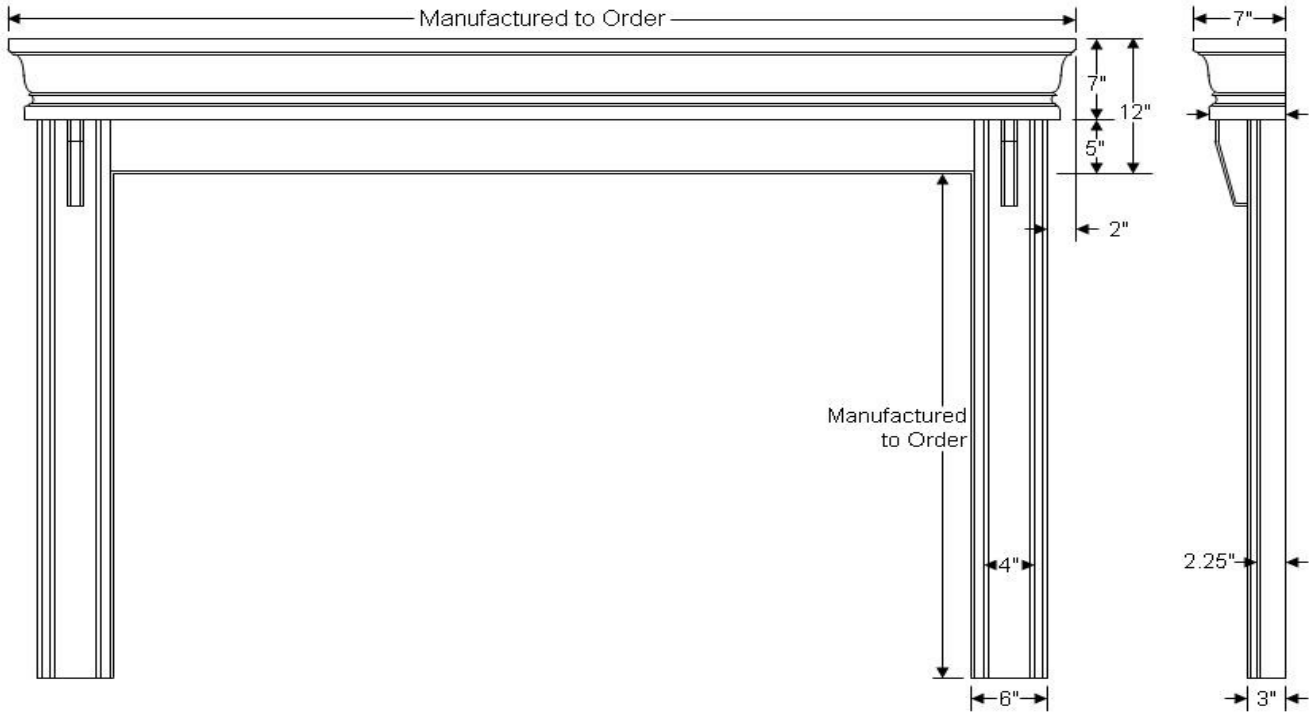


DEL MAR WOOD MANTEL		
WS-DEL-PT	Del Mar Wood Mantel PG	1,755
WS-DEL-OK	Del Mar Wood Mantel Oak	2,555
WS-DEL-AD	Del Mar Wood Mantel Alder	2,693
WS-DEL-MP	Del Mar Wood Mantel Maple	2,777
WS-DEL-BC	Del Mar Wood Mantel Beech	2,777
WS-DEL-CH	Del Mar Wood Mantel Cherry	3,271



# *Elmar*

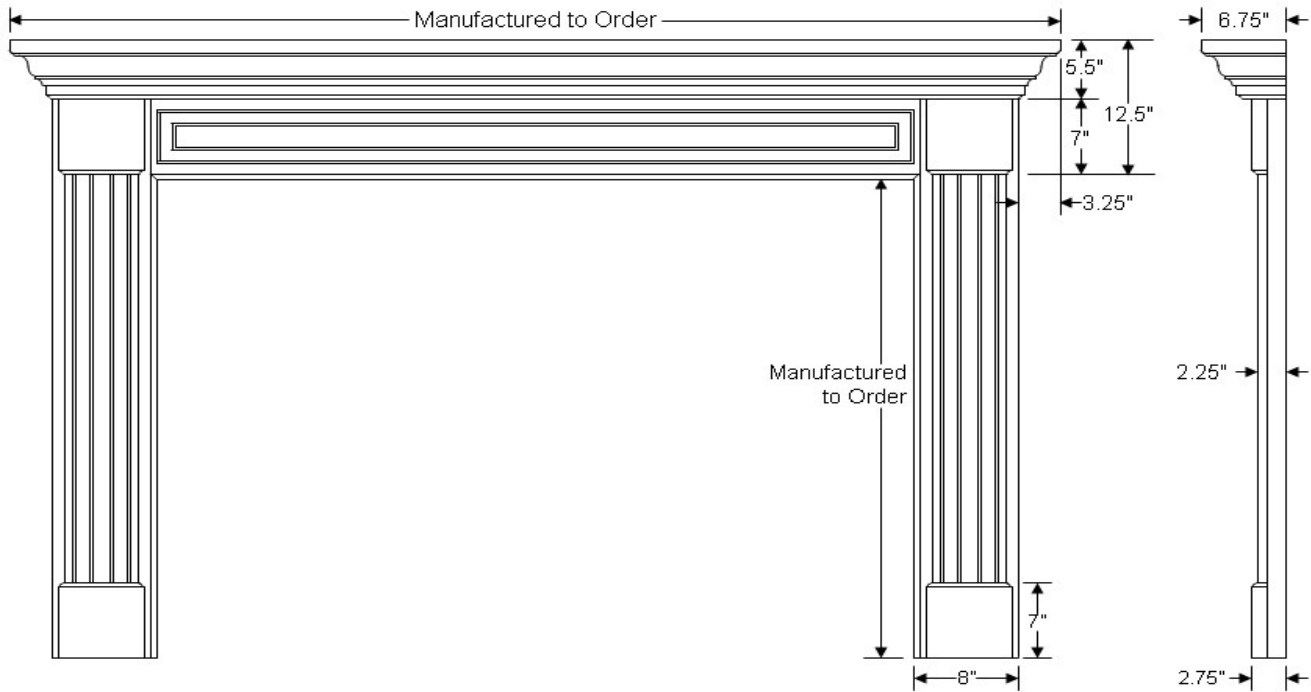
## Full Wood Mantel



ELMAR WOOD MANTEL		
WS-ELM-PT	Elmar Wood Mantel PG	2,079
WS-ELM-OK	Elmar Wood Mantel Oak	3,101
WS-ELM-AD	Elmar Wood Mantel Alder	3,221
WS-ELM-MP	Elmar Wood Mantel Maple	3,323
WS-ELM-CH	Elmar Wood Mantel Cherry	3,919

# Newcastle

## Full Wood Mantel



NEWCASTLE WOOD MANTEL		
WS-NEWC-PT	Newcastle Wood Mantel PG	1,755
WS-NEWC-OK	Newcastle Wood Mantel Oak	2,624
WS-NEWC-AD	Newcastle Wood Mantel Alder	2,691
WS-NEWC-MP	Newcastle Wood Mantel Maple	2,777
WS-NEWC-CH	Newcastle Wood Mantel Cherry	3,131